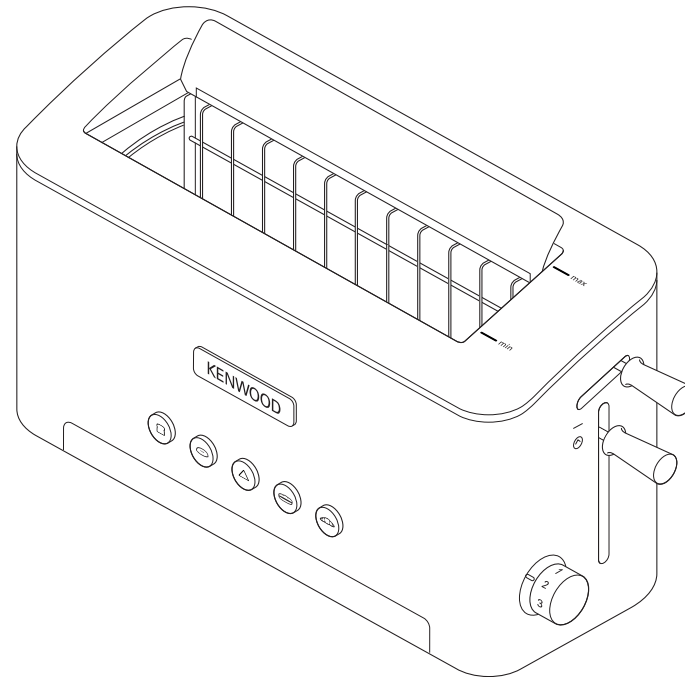


# KENWOOD

## TTM610 series

instructions



English	2 - 6
Nederlands	7 - 12
Français	13 - 18
Deutsch	19 - 25
Italiano	26 - 31
Português	32 - 37
Español	38 - 44
Dansk	45 - 49
Svenska	50 - 54
Norsk	55 - 59
Suomi	60 - 64
Türkçe	65 - 69
Česky	70 - 75
Magyar	76 - 80
Polski	81 - 86
Русский	87 - 93
Ελληνικά	94 - 100
Slovenčina	101 - 106
Українська	107 - 112
عربي	١١٧ - ١١٢



HEAD OFFICE: Kenwood Limited, 1-3 Kenwood Business Park, New Lane, Havant, Hampshire PO9 2NH

[kenwoodworld.com](http://kenwoodworld.com)

**KENWOOD**  
CREATE MORE

120719/1



# English

Please also read the additional Important Safeguards in the accompanying leaflet

## before using your Kenwood appliance

- Read these instructions carefully and retain for future reference.
- Remove all packaging and any labels.

## CAUTION: The fascia panel does get particularly hot during use.

- Never use an unauthorised attachment or accessory.
- Do not force food items into the toaster as difficulty may be experienced in removing them. Never insert broken pieces of bread.
- Never use a damaged toaster. Get it checked or repaired: see 'Service'.
- Select the appropriate button for the food item being toasted. See the 'hints & tips on using your toaster' table.
- This toaster will not cook raw meat or fish.
- Thoroughly cook or re-heat ingredients such as meat or fish prior to adding them to the food item and ensure all ingredients are piping hot throughout before serving. Do not re-heat ingredients more than once.
- Only use the appliance for its intended domestic use. Kenwood will not accept any liability if the appliance is subject to improper use, or failure to comply with these instructions.


## safety

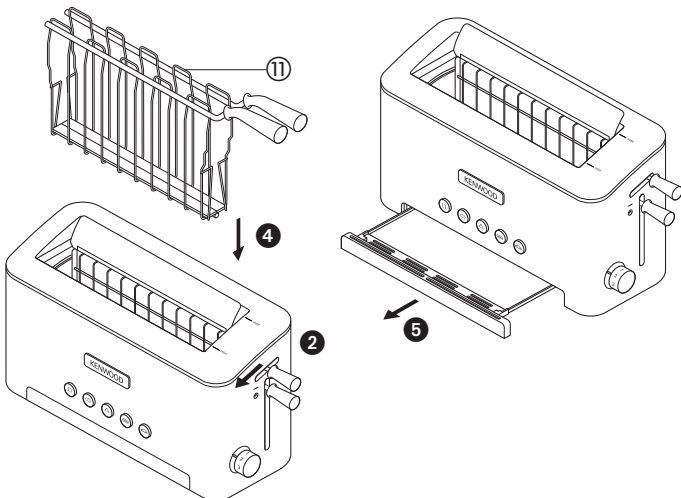
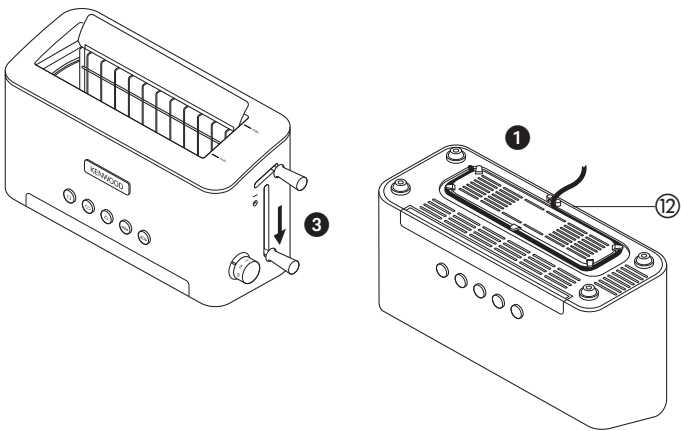
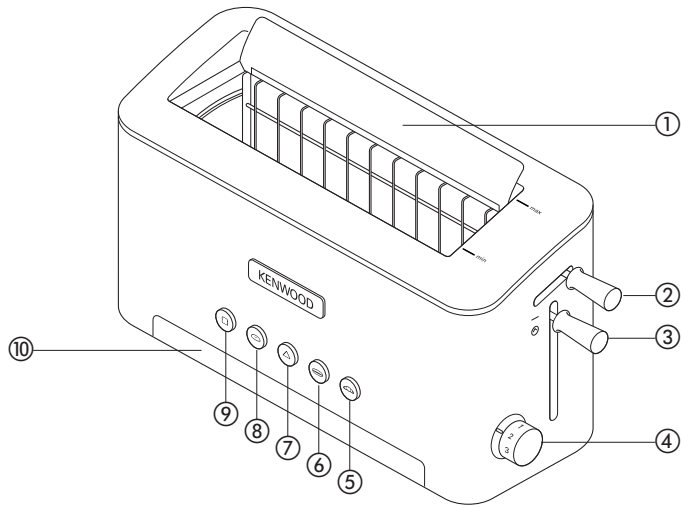
- Burnt food can catch fire, so:
  - never leave your toaster on unattended;
  - set the browning control lower for thin or dry bread;
  - never warm food with a topping eg pizza: if it drips into the toaster, it could catch fire. If warming food items with a filling always use the sandwich cage and follow the instructions provided.
  - Clean the removable crumb tray regularly: crumbs can smoke or burn. Pay particular attention to cleaning melted cheese and other ingredients from sandwiches etc that may fall onto the crumb tray.
- Sandwich fillings could melt and drip into the toaster. Take care as it could catch fire.
- To avoid electric shocks, **never:**
  - let the toaster, cord or plug get wet; or
  - put **your hand** or anything metal, other than the sandwich cage, into the toaster.
- Always unplug the toaster when not in use, before cleaning or attempting to clear any jammed sandwich cage/food.
- Never cover your toaster with a plate or anything else - it could overheat and catch fire.
- Never let the cord hang down where a child could grab it.
- We recommend that you do not use your toaster directly under wall cupboards.
- Do not move the toaster whilst it is in operation.
- Never touch hot surfaces especially the metal top area and the sandwich cage.

## before plugging in

- Make sure your electricity supply is the same as the one shown on the underside of your toaster.
- This appliance conforms to EC directive 2004/108/EC on Electromagnetic Compatibility and EC regulation no. 1935/2004 of 27/10/2004 on materials intended for contact with food.

## before using for the first time

- 1 Clip excess cord into the cord storage clips in the base ①.
- 2 Set the browning control to between settings 2 and 3, lower the carriage lever and press the toast button .
- As with all new heating elements, your toaster may emit a slight burning smell when it is first switched on. This is normal and not a cause for concern.
- 3 Wash the sandwich cage with hot soapy water, then dry thoroughly.



## key

- ① fascia panel
- ② adjustable slot lever
- ③ Peek & View™ carriage lever
- ④ browning control
- ⑤ button with indicator light for croissants
- ⑥ button with indicator light for paninis
- ⑦ cancel button with indicator light
- ⑧ button with indicator light for toasting one side only eg bagels
- ⑨ button with indicator light for toast
- ⑩ large removable crumb tray
- ⑪ sandwich cage
- ⑫ cord storage

## to use your toaster

Note: All filled food items such as sandwiches should be toasted using the sandwich cage see 'to toast food items using the sandwich cage'.

- 1 Plug the toaster into the power supply, an audible beep will be heard.
- 2 Adjust the slot width to suit the food item ②. **CAUTION: Take care not to touch the fascia panel, it may be hot.**
- 3 Insert the bread, muffins, bagels, croissants etc. Do not force food items into the toaster.
- 4 Lower the carriage lever ③.
- 5 Move the browning control to the desired setting. Use a low browning control setting for light toasting and for thin or dry bread.
- 6 Select the desired function button. The selected button and cancel button lights will illuminate, an audible beep will be heard and toasting will begin.
  - To toast bagels the cut face should be facing the front of the toaster.
  - Note: when toasting using the bagel button, the front element will toast with a higher heat than the element at the back of the toaster. **This will result in only one side of the item being toasted.**
  - To toast frozen bread etc., move the browning control to the defrost position ❄️.

- You can use the carriage lever to lift the food item to Peek & View™ at any time without cancelling.
- 7 To stop toasting at any stage, press the cancel button. The toaster will emit an audible beep to indicate toasting is cancelled and the button lights will go out.
  - 8 When toasting has finished the toaster will emit an audible beep and the button lights will go out and the toasting will stop. The food item will **NOT** pop up.
  - 9 Use the carriage lever to raise the food item.
  - 10 After use, unplug the toaster.

## to toast food items using the sandwich cage

- **Thoroughly cook or re-heat ingredients such as meat or fish prior to adding them to the item to be toasted and ensure all ingredients are piping hot throughout before serving. Do not re-heat ingredients more than once.**
- **Do not leave hot ingredients to cool before toasting the food item.**
- **Ensure all ingredients particularly meat or fish are fresh and used within use-by dates.**
- **Use other vegetable ingredients at room temperature to avoid them chilling the hot cooked ingredients.**
- When cutting your paninis or ciabattas etc do not cut all the way through, instead leave the bottom side uncut so that it prevents melted cheese from dripping into the toaster.
- Cut ingredients thinly - do not use large chunks.
- Take care when using ingredients that could melt and run out of the food item. We do not recommend the use of high fat or similar fillings that may drip into the toaster as this will be difficult to clean.

# Obsah je uzamčen

**Dokončete, prosím, proces objednávky.**

**Následně budete mít přístup k celému dokumentu.**



**Proč je dokument uzamčen? Nahněvat Vás rozhodně nechceme. Jsou k tomu dva hlavní důvody:**

- 1) Vytvořit a udržovat obsáhlou databázi návodů stojí nejen spoustu úsilí a času, ale i finanční prostředky. Dělali byste to Vy zadarmo? Ne\*. Zakoupením této služby obdržíte úplný návod a podpoříte provoz a rozvoj našich stránek. Třeba se Vám to bude ještě někdy hodit.

*\*) Možná zpočátku ano. Ale vězte, že dotovat to dlouhodobě nelze. A rozhodně na tom nezbohatneme.*

- 2) Pak jsou tady „roboti“, kteří se přiživují na naší práci a „vysávají“ výsledky našeho úsilí pro svůj prospěch. Tímto krokem se jim to snažíme překazit.

A pokud nemáte zájem, respektujeme to. Urgujte svého prodejce. A když neuspějete, rádi Vás uvidíme!