



GENERATION FUTURE

HOOVER

SteamJet
HANDY POD

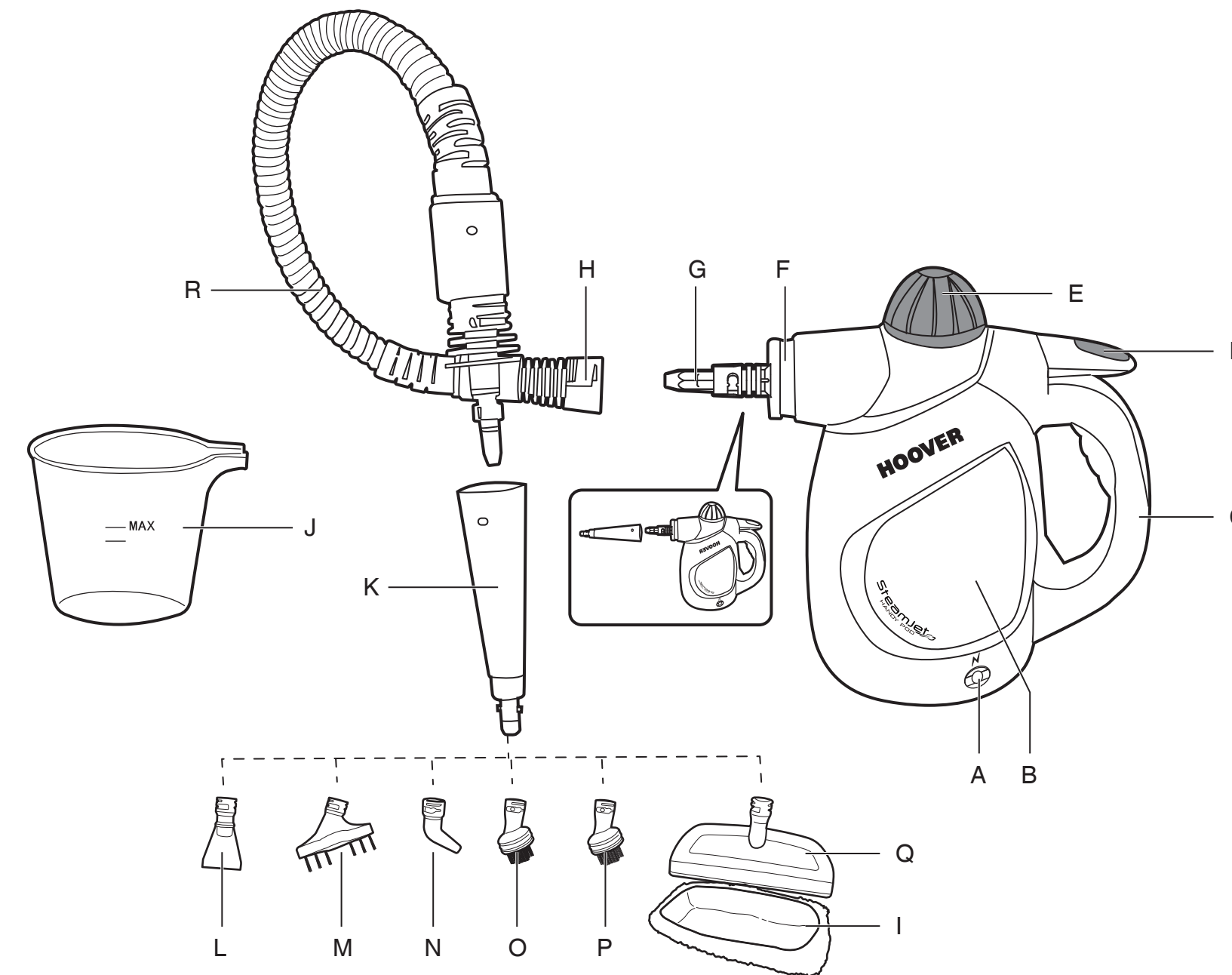
INSTRUCTION MANUAL

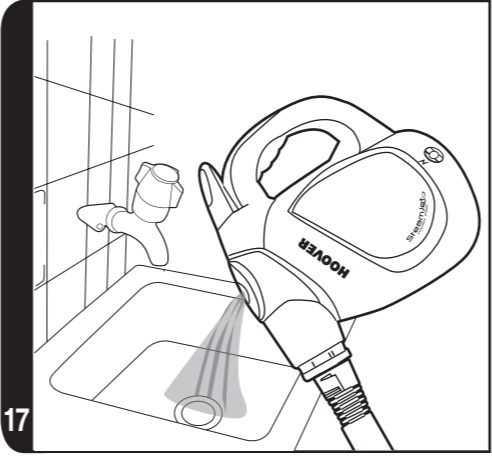
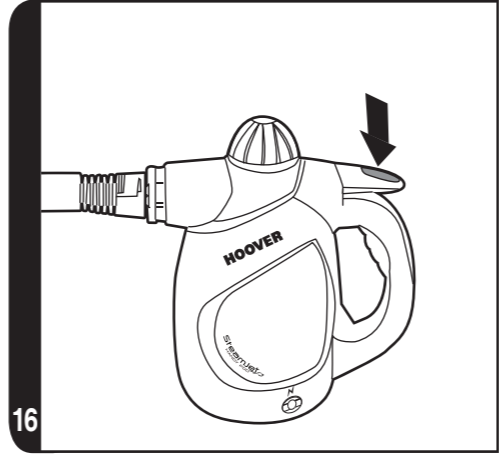
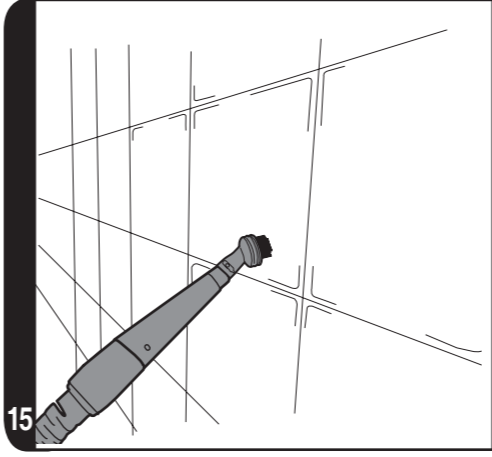
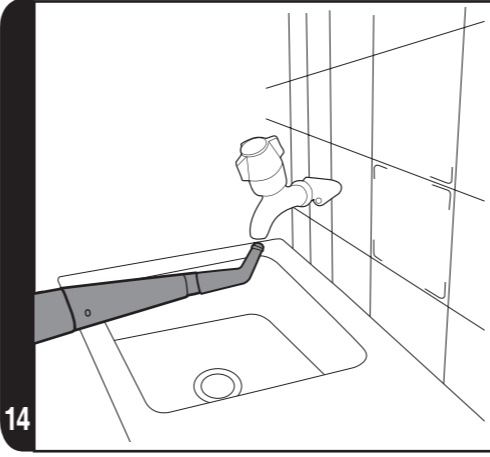
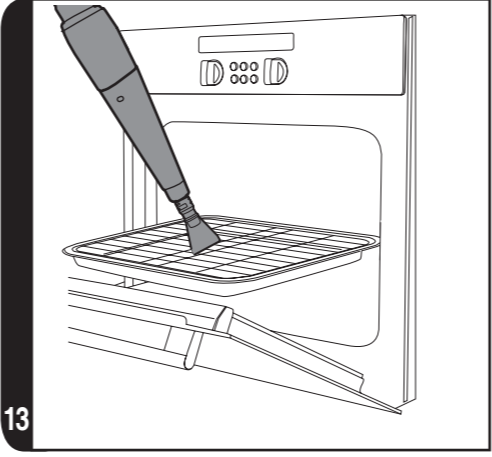
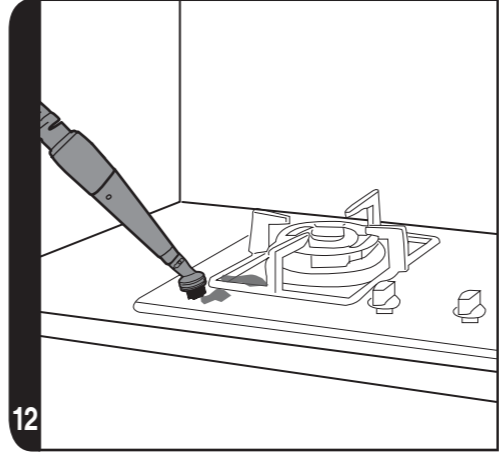
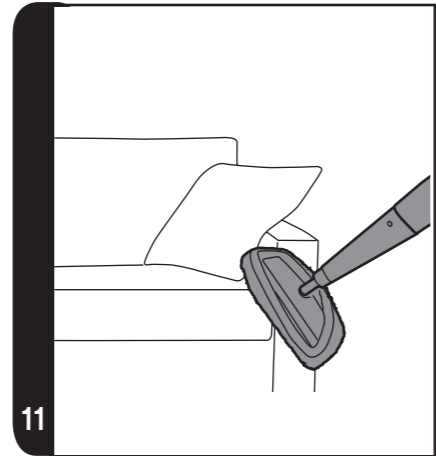
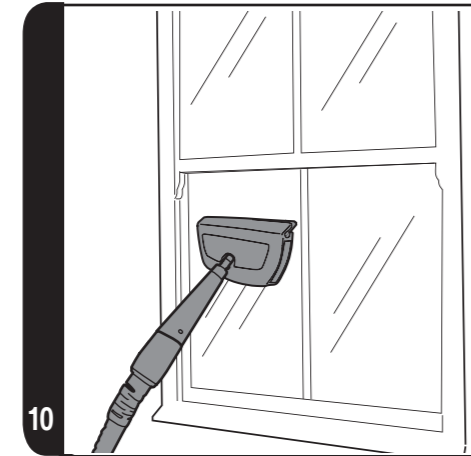
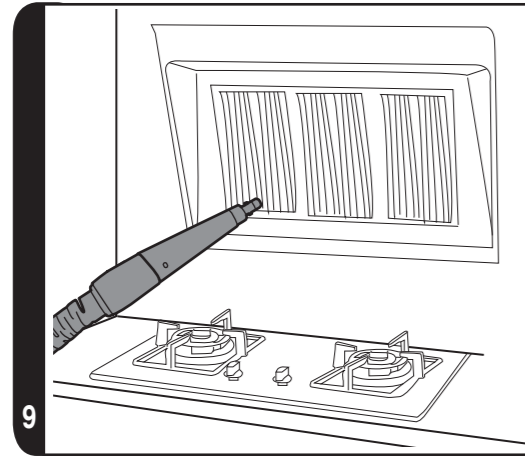
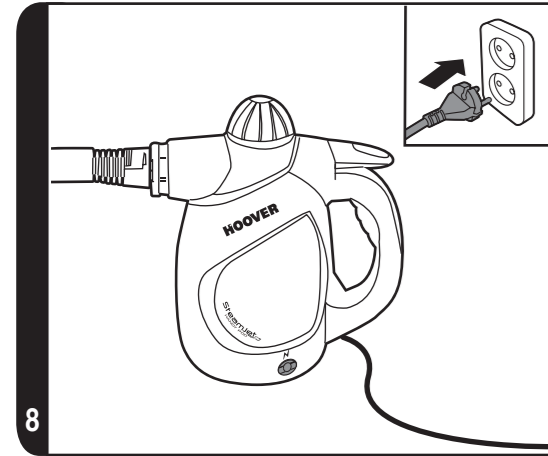
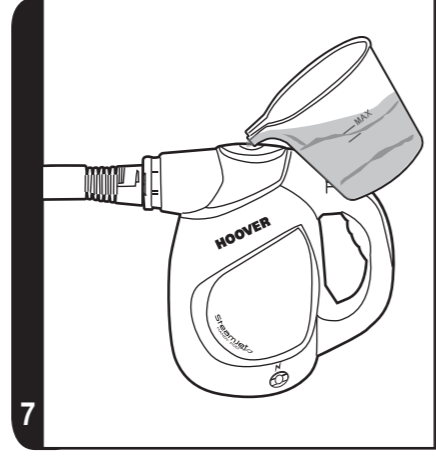
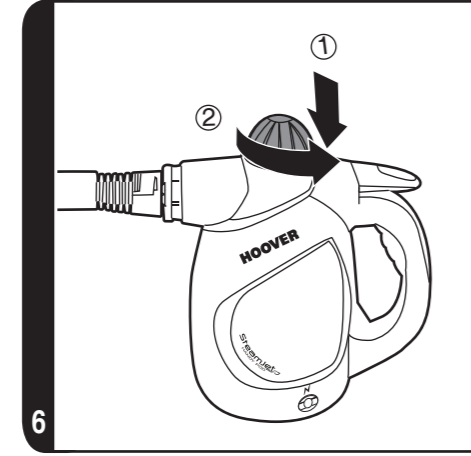
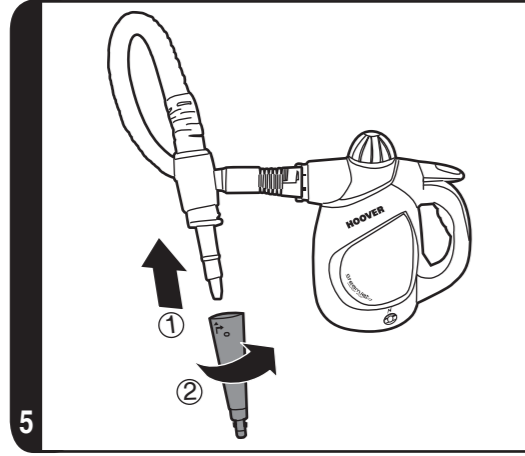
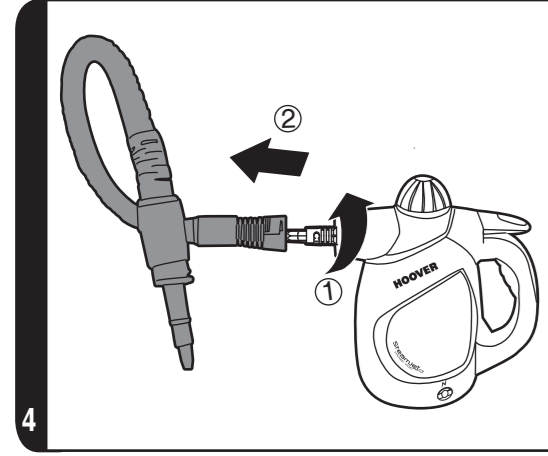
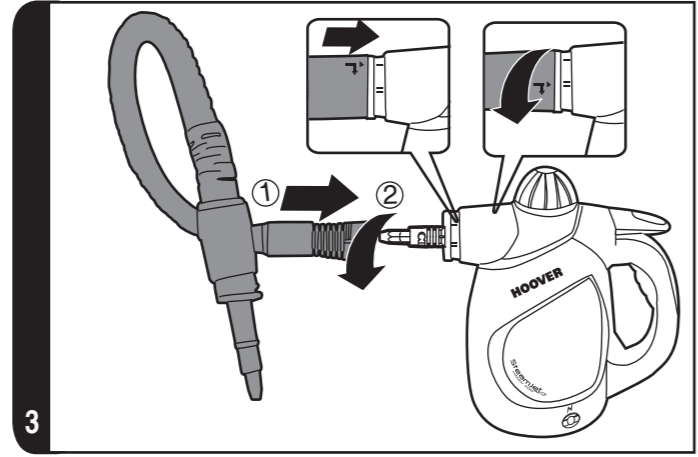
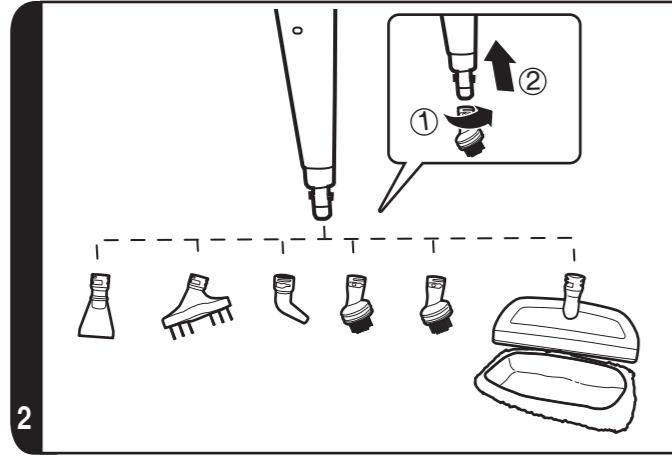
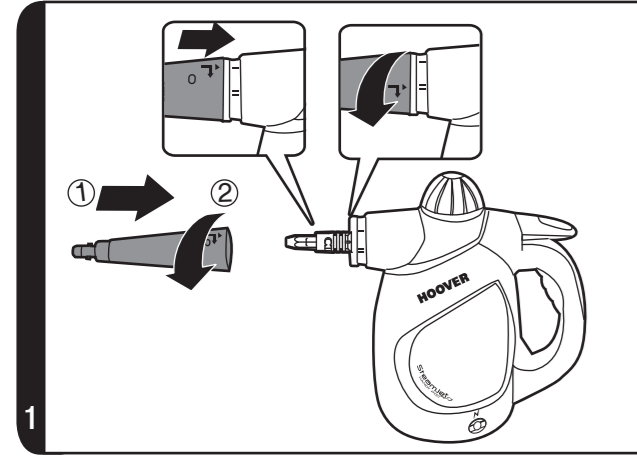
ENGLISH	GB
FRANÇAIS	FR
DEUTSCH	DE
ITALIANO	IT
NEDERLANDS	NL
PORTUGUÊS	PT
ESPAÑOL	ES
DANSK	DK
NORSK	NO
SVENSKA	SE
SUOMI	FI
ΕΛΛΗΝΙΚΑ	GR
РУССКИЙ	RU
POLSKI	PL
ČESKY	CZ
SLOVENČINA	SI
TÜRKÇE	TR



GENERATION FUTURE

PRINTED IN P.R.C.
48008100






IMPORTANT SAFETY REMINDERS

This cleaner should only be used for domestic cleaning, as described in this user guide. Please ensure that this guide is fully understood before operating the appliance. Use only attachments recommended or supplied by HOOVER.

When using cleaning tools ensure to always steady the product with your other hand. This will ensure the product does not fall while in use.

WARNING: Danger of scalding . This product is very hot when used. Avoid any contact with steam.

WARNING: Electricity can be extremely dangerous. This appliance must be earthed. This plug is fitted with a 13 Amp fuse (UK only).

IMPORTANT: The wires in the mains power cord are coloured in accordance with the following code: **Blue – Neutral** **Brown – Live**

AFTER USE: Switch the cleaner off and remove the plug from the electricity supply. Always switch off and remove the plug before cleaning the appliance or attempting any maintenance task.

SAFETY WITH CHILDREN, ELDERLY OR THE INFIRM:

This appliance can be used by children aged from 8 years and above and persons with reduced physical, sensory or mental capabilities or lack of experience and knowledge if they have been given supervision or instruction concerning use of the appliance in a safe way and understand the hazards involved. Children shall not play with the appliance. Cleaning and user maintenance shall not be made by children without supervision.


HOOVER SERVICE: To ensure the continued safe and efficient operation of this appliance we recommend that any servicing or repairs are only carried out by an authorised HOOVER service engineer.

IT IS IMPORTANT THAT YOU DO NOT:

- The filling aperture must not be opened in use.
- Leave the cleaner unattended while switched on.
- Unplug by pulling on the cord.
- Handle the plug or product with wet hands.
- Use detergents or liquids other than water inside the product.
- Direct steam towards equipment containing electrical components, such as the interior of ovens.
- Put the cleaner in water or other liquids.
- Position the cleaner above you when cleaning the stairs.

- Use your cleaner out of doors.
- Spray with or pick up flammable liquids, cleaning fluids, aerosols or their vapours as this may cause risk of fire / explosion.
- Stand on or wrap the power cord around arms or legs when using the cleaner.
- Use the appliance to clean or direct steam towards people, animals or plants.
- Continue to use your cleaner if it appears to be faulty. If the power cord is damaged stop using the cleaner IMMEDIATELY. To avoid a safety hazard, an authorised HOOVER service engineer must replace the power cord.

The Environment

The symbol on this appliance indicates that this appliance may not be treated as household waste. Instead it must be handed over to the applicable collection point for the recycling of electrical and electronic equipment. Disposal must be carried out in accordance with local environmental regulations for waste disposal. For more detailed information about treatment, recovery and recycling of this appliance, please contact your local city office, your household and waste disposal service  or the shop where you purchased the appliance.

 This appliance complies with the European Directives 2006/95/EC, 2004/108/EC and 2011/65/EU.

HOOVER Limited, Pentrebach, Merthyr Tydfil, Mid Glamorgan, CF48 4TU, UK

Obsah je uzamčen

Dokončete, prosím, proces objednávky.

Následně budete mít přístup k celému dokumentu.



Proč je dokument uzamčen? Nahněvat Vás rozhodně nechceme. Jsou k tomu dva hlavní důvody:

- 1) Vytvořit a udržovat obsáhlou databázi návodů stojí nejen spoustu úsilí a času, ale i finanční prostředky. Dělali byste to Vy zadarmo? Ne*. Zakoupením této služby obdržíte úplný návod a podpoříte provoz a rozvoj našich stránek. Třeba se Vám to bude ještě někdy hodit.

**) Možná zpočátku ano. Ale vězte, že dotovat to dlouhodobě nelze. A rozhodně na tom nezbohatneme.*

- 2) Pak jsou tady „roboti“, kteří se přiživují na naší práci a „vysávají“ výsledky našeho úsilí pro svůj prospěch. Tímto krokem se jim to snažíme překazit.

A pokud nemáte zájem, respektujeme to. Urgujte svého prodejce. A když neuspějete, rádi Vás uvidíme!