

FiiO[®]

音乐.乐无限
BORN FOR MUSIC

快速入门指南
Quick Start Guide

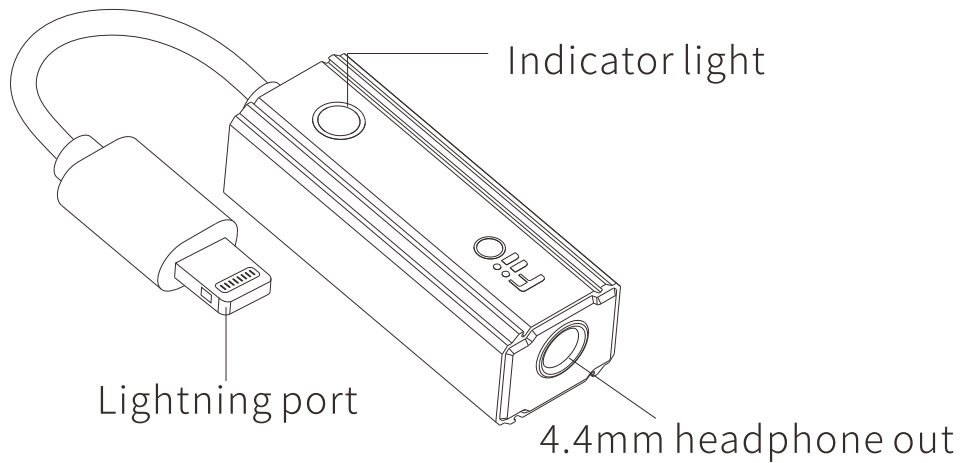
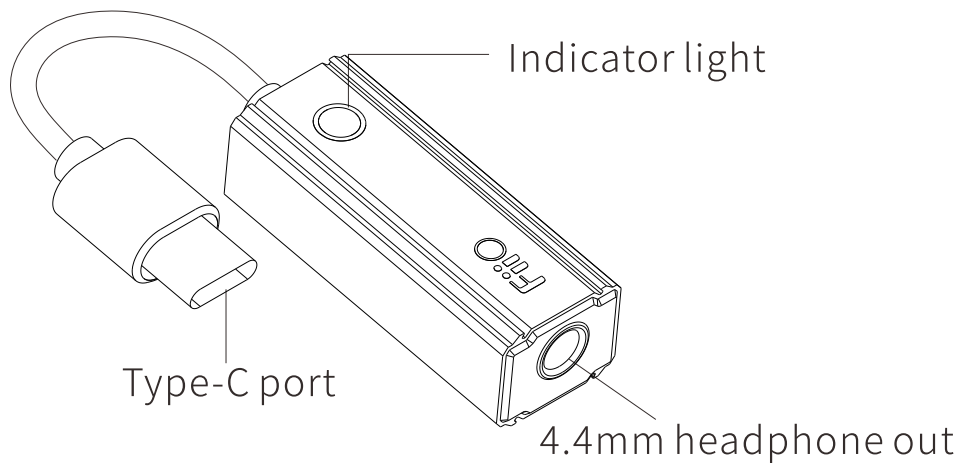
About FiiO

"Jade Audio" is a subsidiary brand of FiiO Electronics Technology Co., Ltd. It is a stylish, technological and youth-oriented brand aiming to provide high-quality yet cost-effective audio products with an excellent listening experience for the younger generation all around the world. The entity's Chinese name is derived from "翡声" (Fei Sheng), meaning "the sound of Jade". The name "Jade Audio" conveys our mission towards providing consumers with a crisp and pleasant listening experience while maintaining audio fidelity.

FiiO is a high-tech enterprise focusing on researching and developing portable music products, with current main products being hi-res music players, portable headphone DAC/Amps and headphones/earphones. Including a core team with nearly 30 years of R&D experience in audio products development, FiiO is specialized in self-research and development, and sells FiiO-branded products through sales agents worldwide. By virtue of high quality products and great customer service, FiiO enjoys a high reputation in the industry and has received countless well-known awards.

FiiO is committed to its brand proposition "Born for Music" and ceaselessly pursues perfection in product design and manufacturing to supply users with the best audio products at the best prices.

Buttons and Ports Labeled



Operating Instructions

1. Use a USB Type-C or Lightning cable to directly connect the KA2 to devices like a mobile phone, tablet PC, etc.
 - There may be a compatibility issue for some devices due to system and hardware differences.
 - The OTG function of some mobile phones may need to be enabled manually in order to use the KA2 normally.
2. It is driver-free when connected to a PC running Windows 10.18.3 or above and Mac OS. (USB DAC driver is required when connected to a PC running below Windows 10.18.3.)
Driver download link: <https://www.fiio.com/supports>
 - The USB-A adapter included in the accessory is designed for the USB-A port.
 - Please set the sound output to "KA2" or "K series" when playing on the computer.

Obsah je uzamčen

Dokončete, prosím, proces objednávky.

Následně budete mít přístup k celému dokumentu.



Proč je dokument uzamčen? Nahněvat Vás rozhodně nechceme. Jsou k tomu dva hlavní důvody:

- 1) Vytvořit a udržovat obsáhlou databázi návodů stojí nejen spoustu úsilí a času, ale i finanční prostředky. Dělali byste to Vy zadarmo? Ne*. Zakoupením této služby obdržíte úplný návod a podpoříte provoz a rozvoj našich stránek. Třeba se Vám to bude ještě někdy hodit.

**) Možná zpočátku ano. Ale vězte, že dotovat to dlouhodobě nelze. A rozhodně na tom nezbohatneme.*

- 2) Pak jsou tady „roboti“, kteří se přiživují na naší práci a „vysávají“ výsledky našeho úsilí pro svůj prospěch. Tímto krokem se jim to snažíme překazit.

A pokud nemáte zájem, respektujeme to. Urgujte svého prodejce. A když neuspějete, rádi Vás uvidíme!