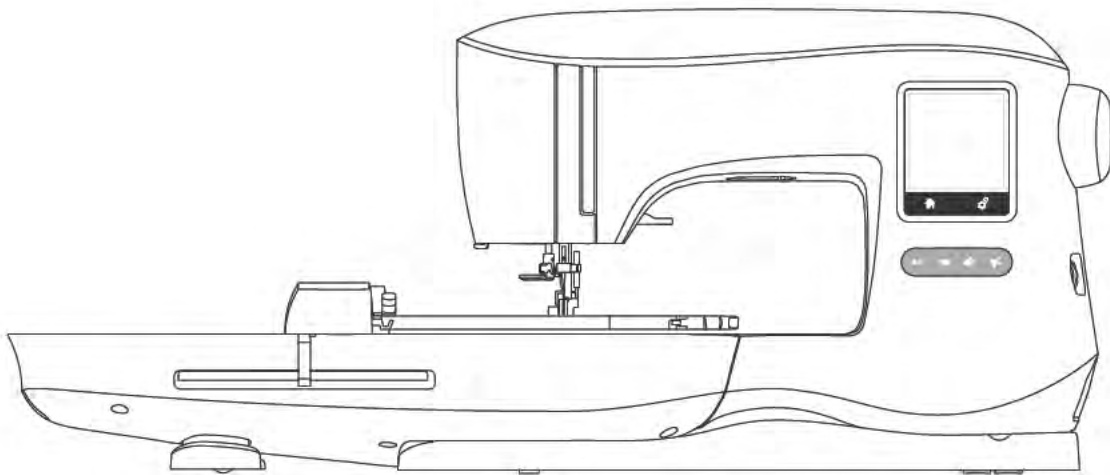


# INSTRUCTION MANUAL

## EM200



**SINGER®**



This household embroidery machine is designed to comply with IEC/EN 60335-2-28 and UL 1594.

### IMPORTANT SAFETY INSTRUCTIONS

When using an electrical appliance, basic safety precautions should always be followed, including the following:

Read all instructions before using this household embroidery machine. Keep these instructions conveniently near the machine. Make sure to hand them over if the machine is given to a third party.

#### **⚠ DANGER**

##### **To reduce the risk of electric shock:**

An embroidery machine should never be left unattended when plugged in. Always unplug this embroidery machine from the electric outlet immediately after using and before cleaning, removing covers or when making any other user servicing adjustments mentioned in the instruction manual.

#### **⚠ WARNING**

##### **To reduce the risk of burns, fire, electric shock, or injury to persons:**

- Do not allow to be used as a toy. Close attention is necessary when this embroidery machine is used by or near children.
- Use this embroidery machine only for its intended use as described in this manual. Use only attachments recommended by the manufacturer as contained in this manual.
- Never operate this embroidery machine if it has a damaged cord or plug, if it is not working properly, if it has been dropped or damaged, or dropped into water. Return the embroidery machine to the nearest authorized service center for examination, repair, electrical or mechanical adjustment.
- Never operate the embroidery machine with any air openings blocked. Keep ventilation openings of the embroidery machine free from the accumulation of lint, dust, and loose fabric.
- Keep fingers away from all moving parts. Special care is required around the embroidery machine needle.
- Always use the proper needle plate. The wrong plate can cause the needle to break.
- Do not use bent needles.
- Do not pull or push fabric while stitching. It may deflect the needle causing it to break.
- Wear safety glasses.
- Switch the embroidery machine off ("0") when making any adjustment in the needle area, such as threading needle, changing needle, threading bobbin, changing presser foot, etc.
- Never drop or insert any object into any opening.
- Do not use outdoors.
- Do not operate where aerosol (spray) products are being used or where oxygen is being administered.
- To disconnect, turn all controls to the off ("0") position, then remove plug from outlet.
- Do not unplug by pulling on cord. To unplug, grasp the plug, not the cord.
- Do not use the machine if it is wet.
- If the LED lamp is damaged or broken, it must be replaced by the manufacturer or its service agent or a similarly qualified person, in order to avoid a hazard.

- This embroidery machine is provided with double insulation. Use only identical replacement parts. See instructions for Servicing of Double-Insulated Appliances.

## **SAVE THESE INSTRUCTIONS**

Servicing should be performed by an authorized service representative.

### **FOR EUROPE ONLY:**

This appliance can be used by children aged from 8 years and above and persons with reduced physical, sensory or mental capabilities or lack of experience and knowledge if they have been given supervision or instruction concerning use of the appliance in a safe way and understand the hazards involved. Children shall not play with the appliance. Cleaning and user maintenance shall not be made by children without supervision.

The noise level under normal operating conditions is less than 70db.

### **FOR OUTSIDE EUROPE:**

This embroidery machine is not intended for use by persons (including children) with reduced physical, sensory or mental capabilities, or lack of experience and knowledge, unless they have been given supervision or instruction concerning use of the embroidery machine by a person responsible for their safety. Children should be supervised to ensure that they do not play with the embroidery machine.

The noise level under normal operating conditions is less than 70db.

## **SERVICING OF DOUBLE INSULATED PRODUCTS**

In a double-insulated product, two systems of insulation are provided instead of grounding. No ground means is provided on a double-insulated product, nor should a means for grounding be added to the product. Servicing of a double-insulated product requires extreme care and knowledge of the system and should be done only by qualified service personnel. Replacement parts for a double-insulated product must be identical to those parts in the product. A double-insulated product is marked with the words 'DOUBLE INSULATION' or 'DOUBLE INSULATED'.

## **PREFACE**

Thank you for your purchase of this embroidery machine.

This machine intended for household use will provide you with excellent performance in sewing embroidery designs and lettering.

Please refer to this booklet for proper use and optimum performance. To get the most out of your embroidery machine, read the entire instruction manual before attempting to operate the machine. Then familiarize yourself with the machine by following the instruction manual page by page.

To ensure that you are always provided with the most modern embroidery capabilities, the manufacturer reserves the right to change the appearance, design or accessories of this embroidery machine when considered necessary without notification or obligation.

# Obsah je uzamčen

**Dokončete, prosím, proces objednávky.**

**Následně budete mít přístup k celému dokumentu.**



**Proč je dokument uzamčen? Nahněvat Vás rozhodně nechceme. Jsou k tomu dva hlavní důvody:**

- 1) Vytvořit a udržovat obsáhlou databázi návodů stojí nejen spoustu úsilí a času, ale i finanční prostředky. Dělali byste to Vy zadarmo? Ne\*. Zakoupením této služby obdržíte úplný návod a podpoříte provoz a rozvoj našich stránek. Třeba se Vám to bude ještě někdy hodit.

*\*) Možná zpočátku ano. Ale vězte, že dotovat to dlouhodobě nelze. A rozhodně na tom nezbohatneme.*

- 2) Pak jsou tady „roboti“, kteří se přiživují na naší práci a „vysávají“ výsledky našeho úsilí pro svůj prospěch. Tímto krokem se jim to snažíme překazit.

A pokud nemáte zájem, respektujeme to. Urgujte svého prodejce. A když neuspějete, rádi Vás uvidíme!