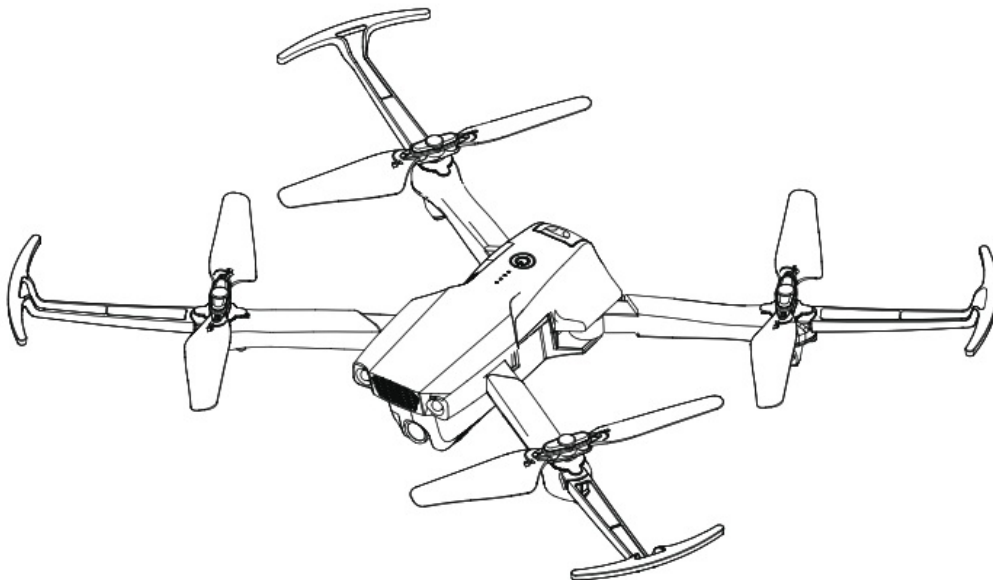



SYMA Foldable Drone Instruction Manual

[Home](#) » [SYMA](#) » SYMA Foldable Drone Instruction Manual



INSTRUCTIONS FOR USE X500 FOLDABLE DRONE

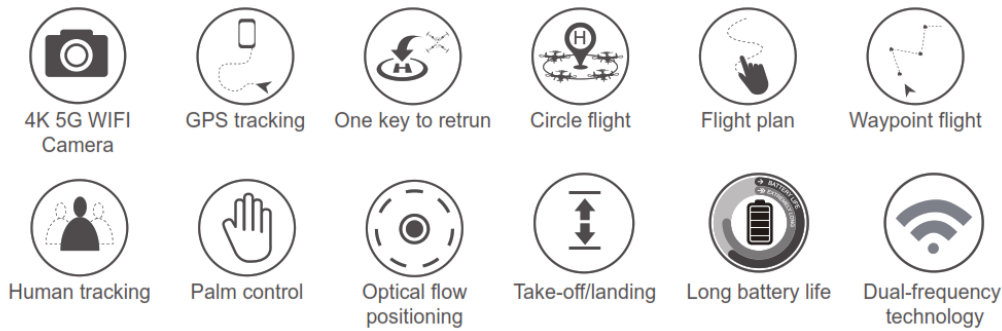


 +1(718)312-0558(USA)
+49 335-4551-9201(Germany)
 usa@symatoys.com(US)
eu@symatoys.com(EU)
 <http://www.symatoys.com>

Accreditation standard: GB/T26701-2011



1080P HD camera with 250 m
Image
transmission range (requires a 5G smartphone)



Contents [[hide](#)]

- [1 Important safety information](#)
- [2 About this product](#)
 - [2.1 Specifications](#)
- [3 Aircraft components](#)
- [4 Remote control](#)
- [5 Assembling the product](#)
- [6 Charging the aircraft battery](#)
- [7 Attaching the phone holder](#)
- [8 Turning the aircraft off](#)
- [9 Using the remote control](#)
- [10 Flight modes](#)
- [11 Smart app features](#)
- [12 Understanding the aircraft LED indicators](#)
- [13 Troubleshooting](#)
- [14 Accessories \(available separately\)](#)
- [15 Documents / Resources](#)
 - [15.1 References](#)
- [16 Related Posts](#)

Important safety information

Thank you for purchasing this SYMA product. To ensure that you operate the aircraft correctly, please read these instructions carefully before first use and store them in a safe place for future reference.

Safety Guide

1. Adult or experienced RC pilot's supervision is 2.recommend for children.
2. Non-rechargeable batteries should not be recharged; Batteries should be inserted with a correct polarity; Different types of batteries, new or used batteries should not be mixing.
3. Turn off the drone/transmitter and remove the batteries when not in use.
4. The supply terminals are not be short-circuited.
5. Keep away from the rotating blades (rotating blades may cause bodily injuries or damage to property).
6. Attention please assemble the aircraft with the guidance of adults.
7. Do not look directly into the LED lights of the drone as it can damage your eyes.
8. The packing has to be kept since it contains important information.
9. Non-rechargeable batteries are not to be recharged.
10. Rechargeable batteries are to be removed from the toy before being charged.
11. Rechargeable batteries are only to be charged under adult supervision.
12. Different types of batteries or new and used batteries are not to be mixed.

13. Batteries are to be inserted with the correct polarity.
14. Exhausted batteries are to be removed from the aircraft.
15. The supply terminals are not to be short-circuited.

Repair and maintenance

1. Use a clean and soft cloth to clean the product.
2. Keep away the product from heat sources.
3. Avoid water exposure to this product. Moisture may cause damages of the aircraft's electronic parts.
4. Transformers used with the aircraft should be examined regularly, such as the cord, plug, enclosure, and other parts. In case of any damages are found, please stop using it unless it is repaired or replaced.

About this product

Specifications

Aircraft

Aircraft weight – 205 g Not included Propeller protector
Aircraft Size – 360x300x70 mm Install Propeller protector
Range – 350 m
Altitude – 100 m
Image transmission range – 300m
Flight time – Hovers indoors for 26-27 minutes
Operating conditions – 0°C to 40°C
Video transmission – 5.8 GHz
frequency – 8520
Motor – 7.6 V 1700 mAh 10 C
Battery – About 3 hours

Remote control

Operating frequency – 2.4 GHz
Range – 350 m
Operating conditions – 0°C to 40°C
charging time – About 1 hours

Package contents

Aircraft – 1
Remote control – 1
USB charging cable – 2
Clockwise/anticlockwise propellers – 2
Propeller protectors – 4
Instructions – 1

Download the SYMA AIR app and watch the video tutorial

Installing the SYMA AIR app

Scan the QR code with your mobile device or download the app from your app store.



iOS

<https://itunes.apple.com/cn/app/syma-air/id1286588607?mt=8>

Obsah je uzamčen

Dokončete, prosím, proces objednávky.

Následně budete mít přístup k celému dokumentu.



Proč je dokument uzamčen? Nahněvat Vás rozhodně nechceme. Jsou k tomu dva hlavní důvody:

- 1) Vytvořit a udržovat obsáhlou databázi návodů stojí nejen spoustu úsilí a času, ale i finanční prostředky. Dělali byste to Vy zadarmo? Ne*. Zakoupením této služby obdržíte úplný návod a podpoříte provoz a rozvoj našich stránek. Třeba se Vám to bude ještě někdy hodit.

**) Možná zpočátku ano. Ale vězte, že dotovat to dlouhodobě nelze. A rozhodně na tom nezbohatneme.*

- 2) Pak jsou tady „roboti“, kteří se přiživují na naší práci a „vysávají“ výsledky našeho úsilí pro svůj prospěch. Tímto krokem se jim to snažíme překazit.

A pokud nemáte zájem, respektujeme to. Urgujte svého prodejce. A když neuspějete, rádi Vás uvidíme!