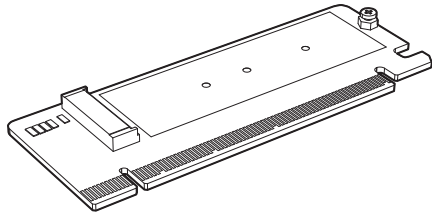


M.2 SSD to PCIe adapter card with heatsink cooler



User Manual

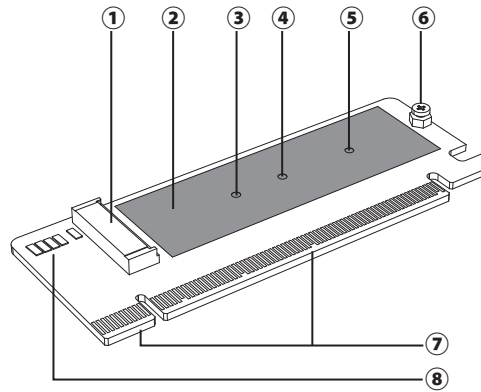
Product Code: AK-PCCM2P-05

Contents

<p><b>A</b></p>	<p><b>B</b> T:2.3mm</p>
<p><b>C</b> T:1.5mm</p>	<p><b>D</b></p>
<p><b>E</b></p>	

**Note:**  
Please tear away the protective layer from the thermally conductive pads in figures **B** and **C** before using.

Card Layout



- ① M.2 PCIe socket (M key)
- ② Copper
- ③ ④ ⑤ ⑥ Standoffs for M.2 SSD (2230, 2242, 2260 and 2280 size)
- ⑦ PCIe bus connector
- ⑧ Power and activity LED

Installation

