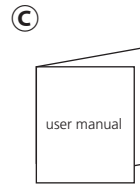
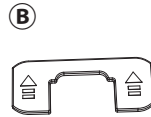
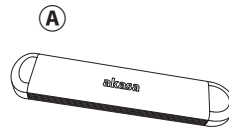


## M.2 SATA / NVMe SSD to USB 3.1 Gen 2 Aluminium Enclosure

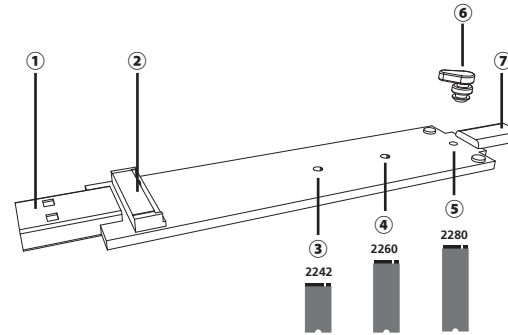
### USER Manual

Product Code: AK-ENU3M2-04

### Contents

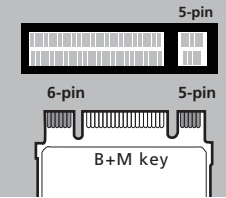


### Layout

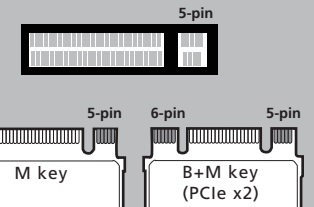


- ① USB 3.1 Gen 2 Type-A connector
- ② M key M.2 connector / B+M key M.2 connector
- ③④⑤ Standoff and holes for M.2 SSD (2242, 2260, 2280 size)
- ⑥ Rubber
- ⑦ USB 3.1 Gen 2 Type-C connector

#### M.2 SATA B+M key connector



#### M.2 PCIe M key and B+M key connector



## Installation

