

AKAI



ABTS-TK19

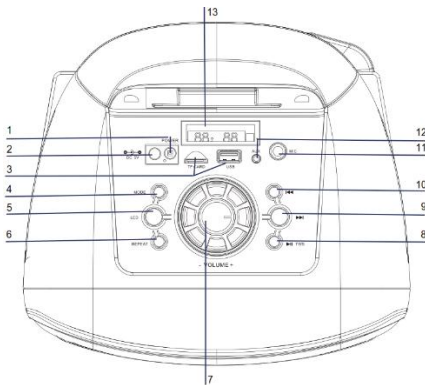
**Bluetooth portable speaker
User Manual**

Instruction manual

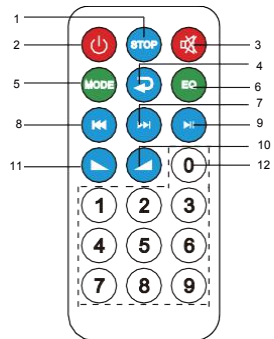
Dear customer!

Thank you for purchasing our product. For safety, it is strongly recommended to read this manual carefully before connecting, operating and/or adjusting the product and keep the manual for reference in future.

Description



1. Power (OFF/ON) switch
2. DC 5V charging port
3. TF card slot / USB port
4. MODE button
5. LED Switch
6. REPEAT
7. Volume knob
8. ►► button / TWS
9. ►►► button
10. ◀◀ button
11. Microphone input
12. AUX input
13. Display



1. STOP button
2. ⏻ (POWER) button
3. MUTE button
4. REPEAT button
5. MODE button
6. EQ button
7. ►► (NEXT) button
8. ◀◀ (PREVIOUS) button
9. ►►► (PLAY/PAUSE) button
10. VOL- button
11. VOL+ button
12. Numeric buttons

Instruction manual

Important safeguards

• The instruction manual contains important operating and maintenance instructions. For your safety, it is necessary to refer to the manual. Keep the manual for future use.

- Do not hit or drop the unit
- Do not expose the unit to vibration, direct sunlight, too high or low temperatures or humidity.

- Do not disassemble the unit yourselves. Refer servicing to qualified service personnel.

All the illustrations in this manual are schematic images, which may differ from actual objects.

Power supply

- The unit operates on an internal rechargeable Li-ion battery and 220V mains.

- The battery can be recharged with the USB charging cable. Before first plugging

the appliance check that voltage indicated on the rating label corresponds to the mains voltage in your home.

- Insert the charging cable into the DC 5V socket on the unit.

- Connect the charging cable to the power adapter. Plug the adapter to the power source.

- For best results, try to fully charge the battery before each use. If the battery is drained, please allow it to recharge for a few hours.

- Push the OFF/ON switch into ON position (to the right) to switch the unit on. Put it into OFF position (left) to switch off.

General operation

Bluetooth wireless playback

- This unit can wirelessly playback audio from any device with Bluetooth A2DP function.

- The wireless range is approximately within 10 meters in direct line of sight
- Wireless audio streaming requires pairing of a Bluetooth device (e.g. smartphone).

HOW TO PAIR YOUR DEVICE TO THIS UNIT:

- Make sure the Bluetooth function is switched on in your device (e.g. smartphone, tablet).


- Switch on the unit and press the MODE button repeatedly to select the Bluetooth mode (selected by default). The display will show "bt".



- Once the Bluetooth pairing indicator begins flashing, you will find the unit listed in the Bluetooth connections list of your device (as ABTS-TK19)

- If asked for a passcode, enter "0000".

- The initial setup is required only once per device. The unit will automatically pair to the last paired device.

- The LED indicator will flash when searching for a Bluetooth device and stay on when the devices are paired.

- When playing files, you can press the  button to pause and resume playback.

- Press the  or  button to go to a previous or next track. Rotate the volume knob or press the volume buttons to adjust volume.

External device connection

- You can connect the audio output of an external device to this unit, to listen to the sound of that device through the speaker.

- To connect an external audio device, please use the included audio cable with 3.5mm-to-3.5 mm plugs to connect the headphone out or audio line-out of the external device to the AUX input of this unit.

- Press MODE button to select the AUX mode.

- Turn on the external device. You can press the volume buttons to adjust volume.

Obsah je uzamčen

Dokončete, prosím, proces objednávky.

Následně budete mít přístup k celému dokumentu.



Proč je dokument uzamčen? Nahněvat Vás rozhodně nechceme. Jsou k tomu dva hlavní důvody:

- 1) Vytvořit a udržovat obsáhlou databázi návodů stojí nejen spoustu úsilí a času, ale i finanční prostředky. Dělali byste to Vy zadarmo? Ne*. Zakoupením této služby obdržíte úplný návod a podpoříte provoz a rozvoj našich stránek. Třeba se Vám to bude ještě někdy hodit.

**) Možná zpočátku ano. Ale vězte, že dotovat to dlouhodobě nelze. A rozhodně na tom nezbohatneme.*

- 2) Pak jsou tady „roboti“, kteří se přiživují na naší práci a „vysávají“ výsledky našeho úsilí pro svůj prospěch. Tímto krokem se jim to snažíme překazit.

A pokud nemáte zájem, respektujeme to. Urgujte svého prodejce. A když neuspějete, rádi Vás uvidíme!