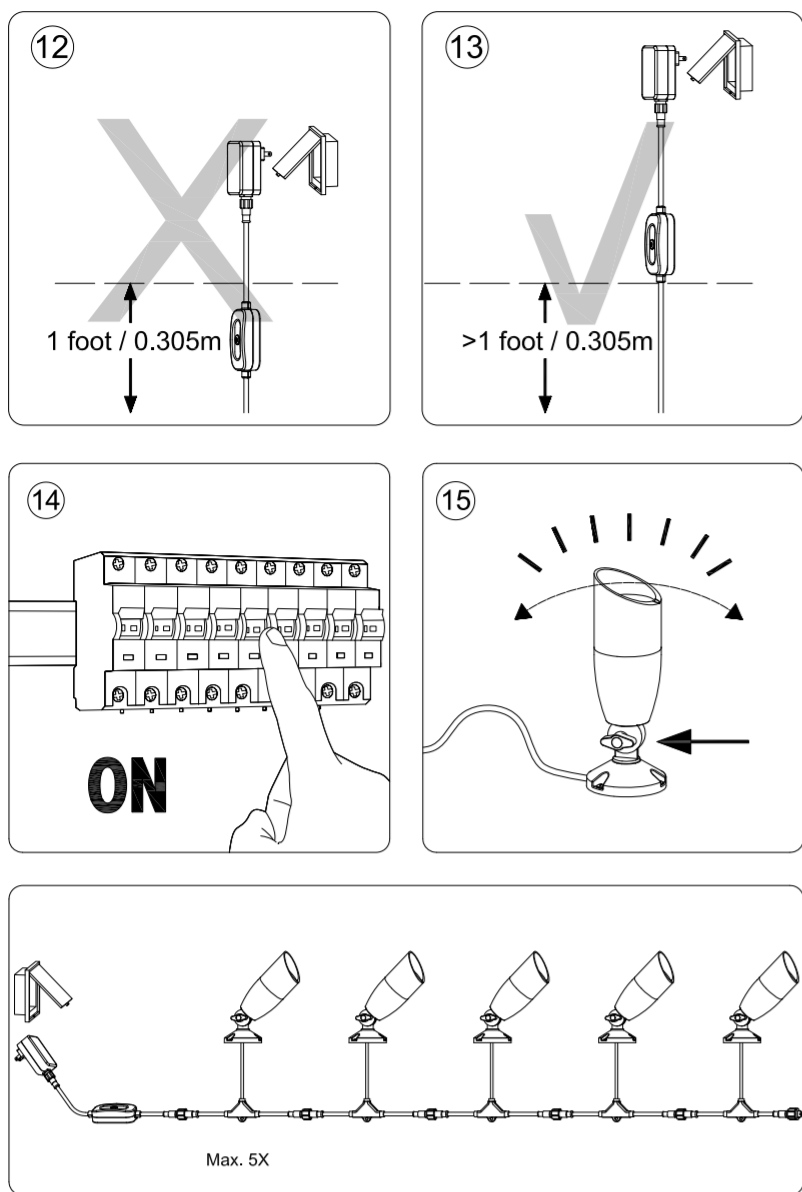
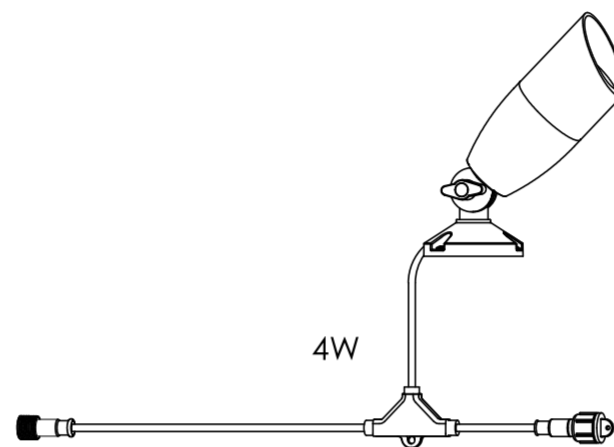


Size: 297x210mm



# WiZ



WiZ 12V Ground Spot Extension Manual

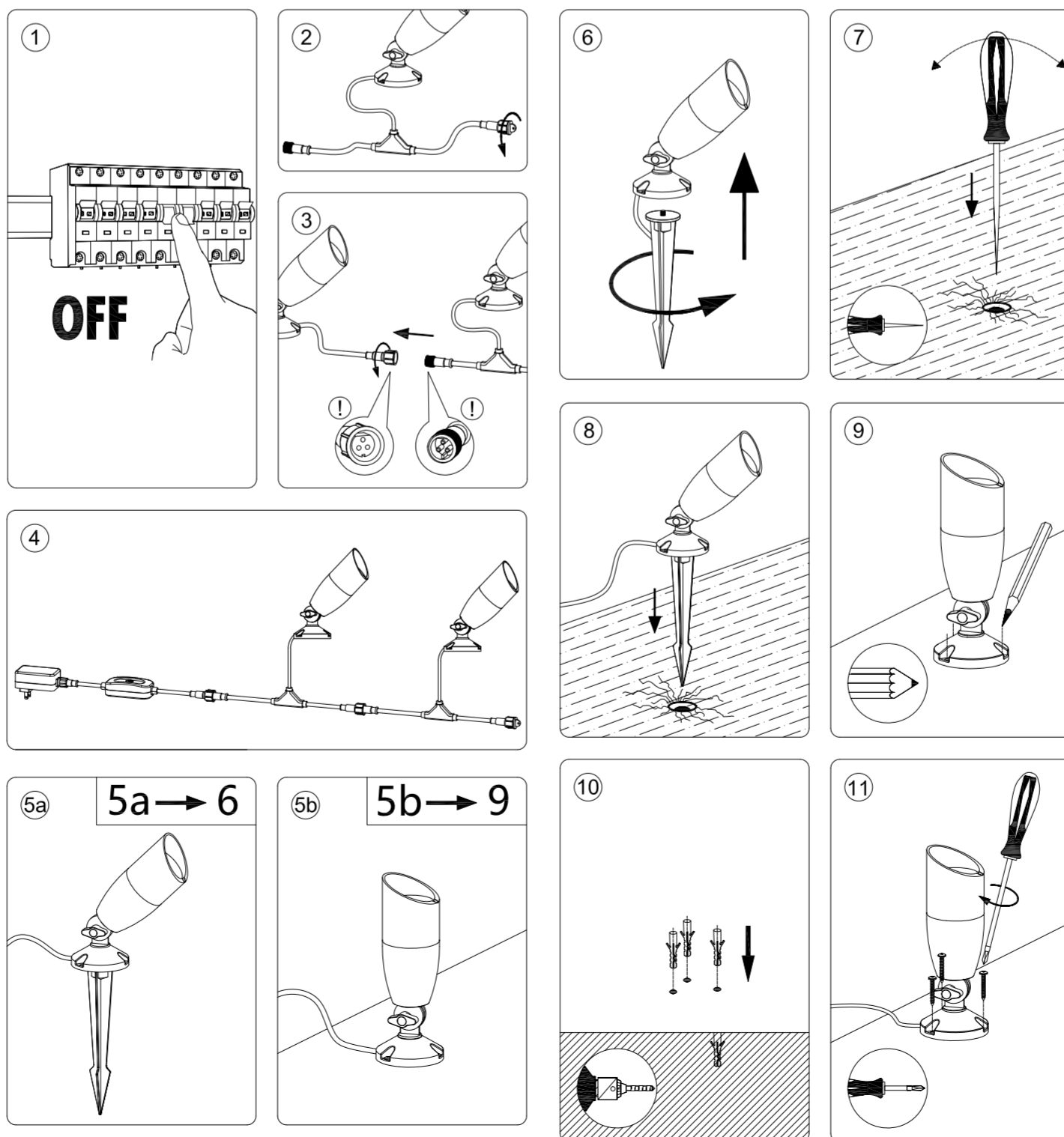
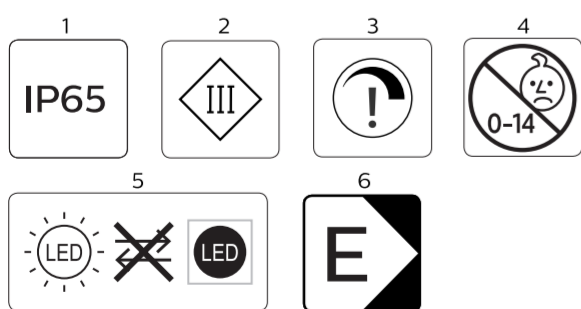
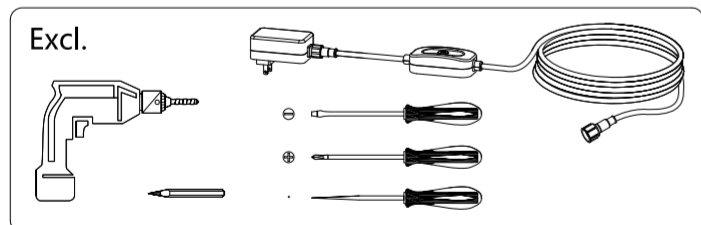
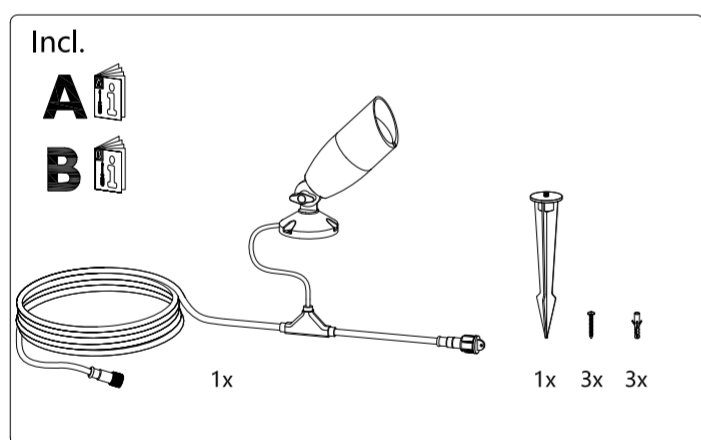
929003258701

929003258706

3241 659 96131

© 2022 Signify Holding  
 ignify

wizconnected.com



SIGNIFY	
Brand	WiZ
Product Family	LED
Shape	
Wattage	
Template Ref.	N/A
SGS number	6859245
12-NC.NBR	324165996131
Masterdrawing	A4
CRC Ref.	CRC000
Barcode No.	8720169071650
Operator(s)	Polly.pan
VERSION No.	<b>v2</b>
Date in	
Date amended	20220809
Black	DIECUT
<b>Date Check</b> <input type="checkbox"/> Check briefing Traffic	
<b>Artwork document</b> <input type="checkbox"/> Legend <input type="checkbox"/> Number of colors <input type="checkbox"/> 12NC <input type="checkbox"/> Trapping/Bleed <input type="checkbox"/> Barcode <input type="checkbox"/> Images hires <input type="checkbox"/> Diecut <input type="checkbox"/> Jobsizes	
<b>Approval</b> <input type="checkbox"/> QC Lithographer SGS Shanghai Production <input type="checkbox"/> Product Manager zhang.jie@signify.com <input type="checkbox"/> Traffic Manager Joanna Wu	