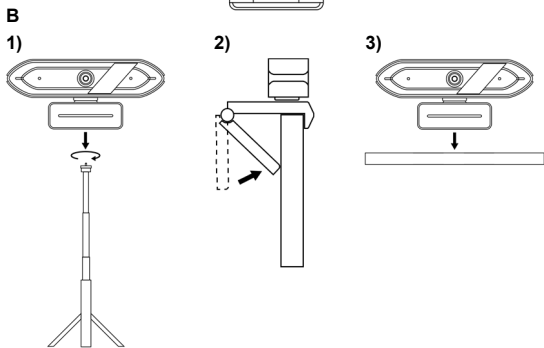
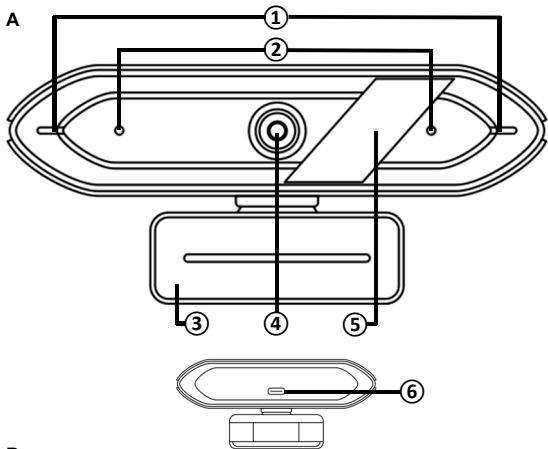


EN	3
AR	4
BE	5
BG	6
BS	7
CS	8
DE	9
ES	10
ET	11
FR	12
HR	13
HU	14
KK	15
LT	16
LV	17
RO	18
SK	19
SR	20
UK	21



lorgar.eu/drivers-and-manuals



EXTERIOR (see fig. A on page 2)

EN

① – LED indicators; ② – microphones; ③ – clip; ④ – lens; ⑤ – shutter; ⑥ – USB Type-C connector.

SPECIFICATIONS

Purpose: web camera for video calls, video broadcasting, video and sound recording on devices * with Windows XP/7/8/10, Android 5.0 and above, macOS 10.6 and above, Linux 2.6.24 and above, Chrome OS 29.01547 and above, Ubuntu 10.04 and above.

Design features: 105×63×47 mm, ABS plastic, privacy shutter.

Functional features. Connection: USB Type-A/Type-C cable (to USB 2.0). Power: 5 V / 0.28 A DC input, up to 1.5 W. Camera: 4 MP, 1/3" sensor, 75° / 46° / 83° angle of view, 4x digital zoom, video up to 1440p, up to 60 fps. Microphone: dual, omni-directional, 30–8000 Hz. Operating conditions: –10...+45 °C, relative humidity up to 85 % (non-condensing).

Scope of supply: web camera LRG-SC701 (color: WT – white, black; BL – blue, black; PK – pink, black), USB cable Type-A/Type-C (2 m), quick start guide.

SAFE USE GUIDELINES

Do not allow the lens to be damaged. Connect the webcam to devices * only, the webcam should not be powered from the mains. Do not expose to high temperatures (from heaters, direct sunlight), high humidity, avoid dust, liquids. Clean only after disconnecting from the power supply, with a dry cloth only, without the use of detergents or cleaning agents or solvents. Do not disassemble or attempt to repair it yourself. In the event of a malfunction, contact the service center.

GETTING STARTED

1. Installation. See figure B on page 2 (stand is not included).

2. Connection. Connect the USB cable to the Type-C connector on the web camera and to the Type-A connector on your device *. Turn on the device *. On first connection, wait until the standard drivers are installed. After that the web camera can be used as an image and sound source in applications on your device *.

TROUBLESHOOTING

The web camera does not work in the application you are using. Make sure that the web camera is selected as the image and sound source in the application and operating system settings. Check that the USB cable works properly. Check if the connector to which the webcam is connected works properly. Make sure that you are using the latest version of the application.

Poor image quality during a video broadcast or video call. Check the internet connection speed. Reduce the web camera resolution in the settings of the application you are using.

WARRANTY SERVICE

The warranty period begins on the date of purchase from an authorized Lorgar retailer. To obtain warranty service, visit the point of purchase, presenting the device and proof of payment. The warranty is 2 years, unless otherwise specified by local law. The service life is 2 years. More information about use and warranty is available at lorgar.eu/warranty-terms.

FURTHER INFORMATION

The information is subject to change without notice to users. Up-to-date information and detailed description, connection and operation steps, certificates, warranty conditions are available in the user manual at lorgar.eu/drivers-and-manuals.

Manufacturer: ASBISc Enterprises PLC, lapetou, 1, Agios Athanasios, 4101, Limassol, Cyprus. Made in China. All trademarks and brand names are the property of their respective owners.

* Device – computer, laptop, interactive panel, smart TV, etc.

Obsah je uzamčen

Dokončete, prosím, proces objednávky.

Následně budete mít přístup k celému dokumentu.



Proč je dokument uzamčen? Nahněvat Vás rozhodně nechceme. Jsou k tomu dva hlavní důvody:

- 1) Vytvořit a udržovat obsáhlou databázi návodů stojí nejen spoustu úsilí a času, ale i finanční prostředky. Dělali byste to Vy zadarmo? Ne*. Zakoupením této služby obdržíte úplný návod a podpoříte provoz a rozvoj našich stránek. Třeba se Vám to bude ještě někdy hodit.

**) Možná zpočátku ano. Ale vězte, že dotovat to dlouhodobě nelze. A rozhodně na tom nezbohatneme.*

- 2) Pak jsou tady „roboti“, kteří se přiživují na naší práci a „vysávají“ výsledky našeho úsilí pro svůj prospěch. Tímto krokem se jim to snažíme překazit.

A pokud nemáte zájem, respektujeme to. Urgujte svého prodejce. A když neuspějete, rádi Vás uvidíme!