

Select a language:

EN - English

DE - Deutsch

FR - Français

IT - Italiano

ES - Español

NL - Nederlands

NO - Norsk

FI - Suomi

SV - Svenska

DA - Dansk

CZ - Český

PL - Polski

SK - Slovenský

RU - Русский

JP - 日本語

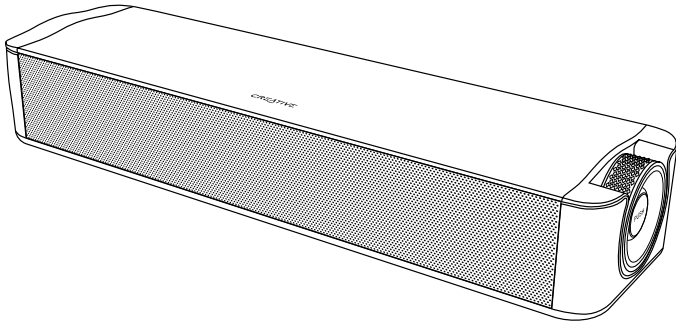
CS - 简体中文

CT - 繁體中文

KO - 한국어

CREATIVE® STAGE SE

Under-monitor Soundbar With *Bluetooth*®
And USB Digital Audio



QUICK START GUIDE
使用产品前请阅读使用说明
MODEL NO / 型号 / 型號: MF8410

PN: EN 03MF841000000 Rev A



MULTI-LANGUAGE QUICK START GUIDE DOWNLOAD
creative.com/support/StageSE

- [DE] MEHRSPRACHIGE SCHNELLSTARTANLEITUNG HERUNTERLADEN
- [FR] TÉLÉCHARGEMENT DU GUIDE DE DÉMARRAGE RAPIDE MULTI-LANGUES
- [IT] DOWNLOAD DELLA GUIDA DI AVVIO RAPIDO MULTILINGUA
- [ES] DESCARGA DE LA GUÍA DE INICIO RÁPIDO EN MÚLTIPLES IDIOMAS
- [NL] MEERTALIGE SNELSTARTGIDS DOWNLOAD
- [NO] NEDLASTING AV HURTIGSTARTVEILEDNING FOR FLERE SPRÅK
- [FI] MONIKIELINEN PIKA-ALOITUSOPPAAN LATAUS
- [SV] FLERSPRÅKIG SNABBSTARTSGUIDE LADDA NER
- [DA] DOWNLOAD AF HURTIG STARTVEJLEDNING PÅ FLERE SPROG
- [CZ] STÁHNOUT VÍCEJAZYKOVÝ RYCHLÝ NÁVOD K POUŽITÍ
- [PL] POBIERZ PRZEWODNIK SZYBKIEGO STARTU W WIELU JĘZYKU
- [SK] STIAHNUŤ SI RÝCHLY NÁVOD NA ŠTARTOVANIE VIAC JAZYKOV
- [RU] МНОГОЯЗЫЧНОЕ КРАТКОЕ РУКОВОДСТВО ЗАГРУЗИТЬ
- [JP] 多言語クイックスタートガイドのダウンロード
- [CS] 下载多语言快速使用指南
- [CT] 下载多语言快速使用指南
- [KO] 다국어 빠른 시작 가이드 다운로드

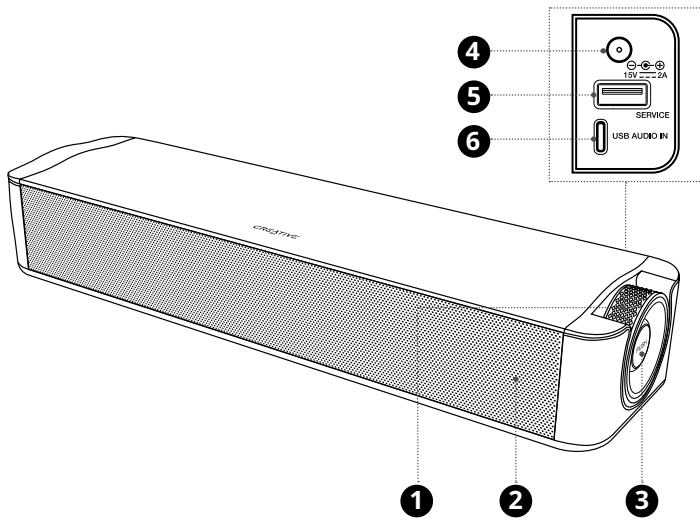
REGISTER
YOUR PRODUCT

creative.com/register

TECHNICAL SUPPORT

creative.com/support

OVERVIEW



- 1 Volume Control Knob
- 2 LED Indicator
- 3 Multifunction Button (Power, Source Selection, *Bluetooth*®)
- 4 DC-in Power Port
- 5 USB-A Port (For Firmware Updates Only)
- 6 USB-C Port (For USB Audio Playback)

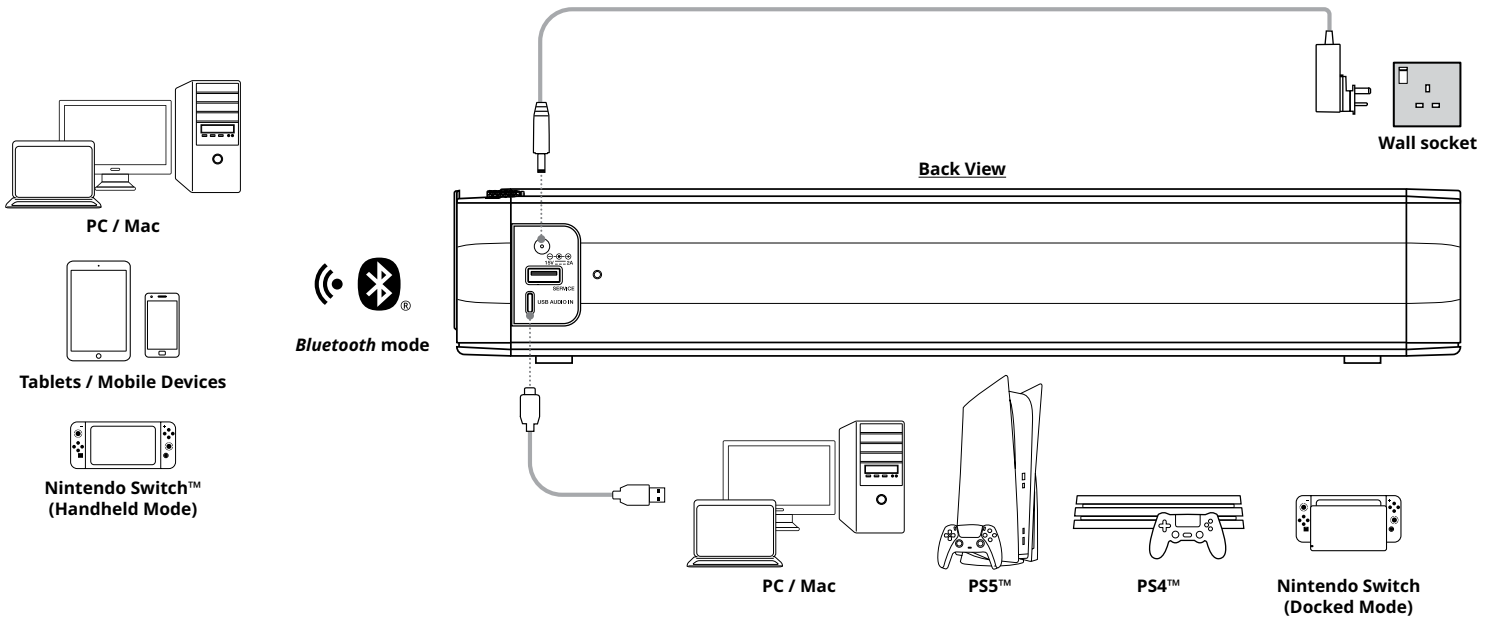
CONTROLS

Button	Action	Function
	x1	ON
	2s	OFF
	x1	USB AUDIO ↔ Bluetooth
	x2	VOICE PROMPT ON / VOICE PROMPT OFF
		+
		-

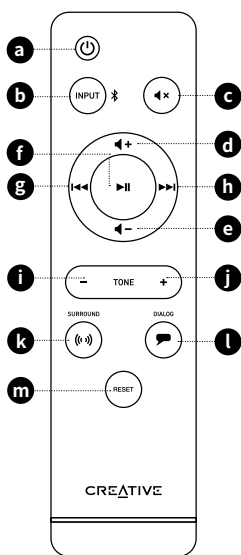
Note: Upon powering on, Creative Stage SE will automatically initiate *Bluetooth* pairing when source input is switched from USB Audio to *Bluetooth*.

LED Indicator	Soundbar State
Solid Red	Standby
Solid Purple	USB Audio
Blinking Blue	<i>Bluetooth</i> Pairing Mode
Solid Blue	<i>Bluetooth</i> Paired
Blinking LED (Source Color)	Volume Adjustment

CONNECTIVITY



IR REMOTE CONTROL

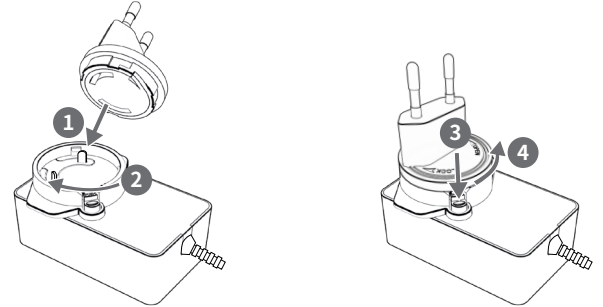


- a Power Button**
Press once to turn on the soundbar.
Press once again to turn it off.
- b Input Selection Button**
Press once to switch between USB Audio mode and Bluetooth mode.
Press and hold for 2s to initiate Bluetooth pairing mode.
- c Mute Button**
Press once to mute the soundbar.
Press once again to unmute.
- d Volume + Button**
Press once to increase volume.
- e Volume - Button**
Press once to decrease volume.
- f Play / Pause Button**
Press once to play / pause audio playback.
- g Previous Track Button**
Press once to return to previous track.
- h Next Track Button**
Press once to skip to next track.
- i Tone - Button**
Press to increase audio warmth; this will increase the prominence of bass reproduction and vocals.
- j Tone + Button**
Press to increase audio brilliance; this will increase the prominence of high and upper mid frequencies, making the audio crisper.
- k Surround Button**
Press once to activate Surround mode; this mode will deliver expanded soundstage and spatialized audio for a more immersive experience.
Press once again to turn it off.
- l Dialog Button**
Press once to activate Dialog Plus mode; this mode provides improved vocal intelligibility in spoken dialogs, allowing you to hear each syllable clearer.
Press once again to turn it off.
- m Reset Button**
Press once to revert all changes made, including Tone, Surround, and Dialog settings.

INTERCHANGEABLE AC PLUGS

Creative Stage SE includes a power adapter with interchangeable AC plugs, suitable for use in multiple regions. Refer to the instructions below for more information.

Replacing Interchangeable AC Plugs

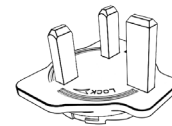


- i) Place the AC plug on the power adapter, then push it down and turn clockwise direction to lock it
- ii) Press and turn the AC plug anti-clockwise to remove from the power adapter

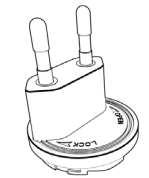
Note: Interchangeable AC plug(s) are bundled based on the requirements in their respective countries and are suitable for use in regions using the same AC plugs.



EU / Singapore
(Plug with 4mm pin diameter)



Singapore / UK / Hong Kong / Saudi Arabia / UAE / Malaysia



Korea
(Plug with 4.8mm pin diameter)



USA / Canada / Japan / Taiwan

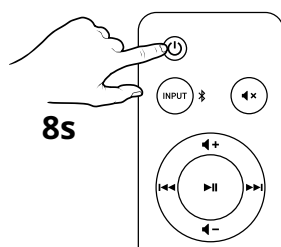


Australia



China

MASTER RESET



Press and hold the power button on the provided IR remote control for 8s to perform a Master Reset. Upon completion, a voice prompt will trigger with the prompt "Reset To Factory Default" and the soundbar will revert to its default state. Master Reset is reserved for cases where users encounter issues while the soundbar is in use or during situations such as: Bluetooth Pairing failure, random LED blinks, or to reset all data.

TECHNICAL SPECIFICATIONS

- Power Output:** 12W RMS x 2
- Total System Peak Power:** 48W
- Frequency Range:** 55-20,000 Hz
- SNR:** ≥ 80 dB
- Operating Frequency:** 2402-2480 MHz
- Operating Range:** Up to 10m / 33 ft, measured in open space. Walls and structures may affect range of device
- Maximum RF Output Power:** 7 dBm
- Bluetooth Version:** Bluetooth 5.3
- Supported Bluetooth Profiles:** A2DP (Advanced Audio Distribution Profile), AVRCP (Audio / Video Remote Control Profile)
- Supported Codec:** SBC
- Soundbar Input Rating:** 15V = 2.0A
- Max Operating Temperature:** 40°C
- Power Adapter Model:** GJ30WD-1500200DP
- Input:** 100-240V~, 50/60 Hz 0.8A
- Output:** 15V = 2.0A, 30.0W

Note: Compliance marking are located at the bottom of this product

Obsah je uzamčen

Dokončete, prosím, proces objednávky.

Následně budete mít přístup k celému dokumentu.



Proč je dokument uzamčen? Nahněvat Vás rozhodně nechceme. Jsou k tomu dva hlavní důvody:

- 1) Vytvořit a udržovat obsáhlou databázi návodů stojí nejen spoustu úsilí a času, ale i finanční prostředky. Dělali byste to Vy zadarmo? Ne*. Zakoupením této služby obdržíte úplný návod a podpoříte provoz a rozvoj našich stránek. Třeba se Vám to bude ještě někdy hodit.

**) Možná zpočátku ano. Ale vězte, že dotovat to dlouhodobě nelze. A rozhodně na tom nezbohatneme.*

- 2) Pak jsou tady „roboti“, kteří se přiživují na naší práci a „vysávají“ výsledky našeho úsilí pro svůj prospěch. Tímto krokem se jim to snažíme překazit.

A pokud nemáte zájem, respektujeme to. Urgujte svého prodejce. A když neuspějete, rádi Vás uvidíme!