

Rowenta® Tefal®



EN

FR

DE

ES

PT

NL

IT

CS

RO

BG

SK

UK

RU

BS

SR

MK

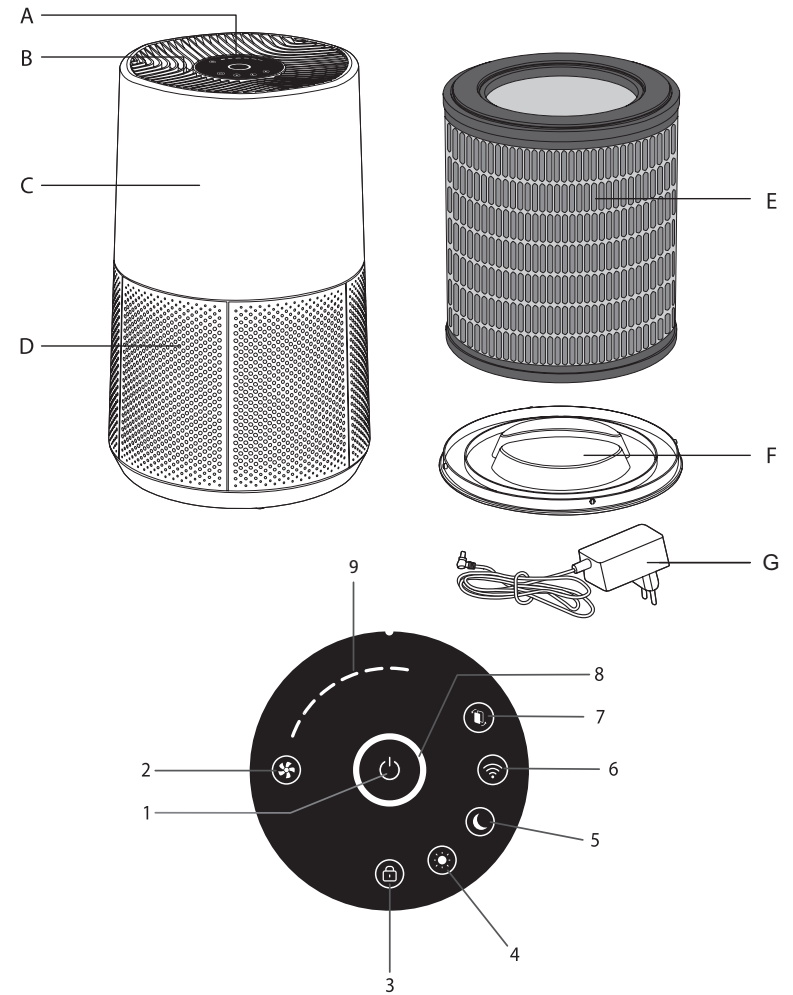
PURE AIR CITY

PU2840/PT2840

www.rowenta.com / www.tefal.com

SUMMARY

PRODUCT OVERVIEW	3
SAFETY INSTRUCTIONS	4
VERY IMPORTANT	4
OPERATING PRINCIPLE	5
DISASSEMBLING / REASSEMBLING FILTERS	6
WHERE TO INSTALL THE APPLIANCE	7
BEFORE FIRST USE	7
HOW TO CONNECT YOUR PURIFIER TO INTERNET	7
OPERATION	8
CARE AND MAINTENANCE	8
STORAGE	10
IN THE EVENT OF A PROBLEM	10
WARRANTY	11
ENVIRONMENT PROTECTION FIRST!	11



PRODUCT OVERVIEW

Accessories of Main Body

- A. Control Panel
- B. Air Outlet
- C. Main Body
- D. Air Inlet
- E. Filter
- F. Filter cover
- G. Adapter

Control buttons

- 1. Start / Stop
- 2. Speed selection
- 3. Child lock
- 4. Mode Auto Day
- 5. Mode Auto Night
- 6. Wifi Button
- 7. Filter change indicator

Control panel Lights

- 8. Air quality indicator
- 9. Selected speed indicator


Read the instructions for use and safety carefully before use and keep them for future reference.

SAFETY INSTRUCTIONS

WARNINGS

It is essential that you read these instructions carefully and observe the following recommendations:

- For your safety, this appliance complies with the applicable standards and regulations (low voltage, electromagnetic compatibility, environmental directives, etc.).
- This appliance should not be used by persons (including children) with reduced physical, sensory or mental capacities or lack of experience and knowledge, unless they are supervised or have been given instructions beforehand concerning use of the appliance by a person responsible for their safety.
- Children should be supervised to ensure they do not play with the appliance.
- The appliance can be used by children aged 8 and over and persons with a lack of experience or knowledge or reduced physical, sensory or mental capacities, provided they are supervised, have been trained on the safe use of the appliance and are aware of the risks involved. children must not play with the appliance.
- If the power cord is damaged, it must be replaced by the manufacturer, its after-sales service or a similarly qualified person so as to avoid any danger.
- Children should not clean or perform maintenance on the appliance without being supervised.
- For maintenance operations, please refer to the "maintenance" section.
- keep the appliance and its power cord out of the reach of children aged under 8.
- This appliance is designed for domestic use only. It should not be used for industrial purposes.
- The warranty will be invalidated if damage occurs due to incorrect use.
- Do not operate this appliance in a very dusty and/or humid place or in a location with fire hazards.
- Before use, always make sure that the appliance, plug and power cord are in good condition.
- Never insert objects into the appliance (e.g. needles, etc.).
- Do not pull on the power cord or the appliance, even to unplug it from the wall power outlet.
- Unroll the full length of the cord before use.

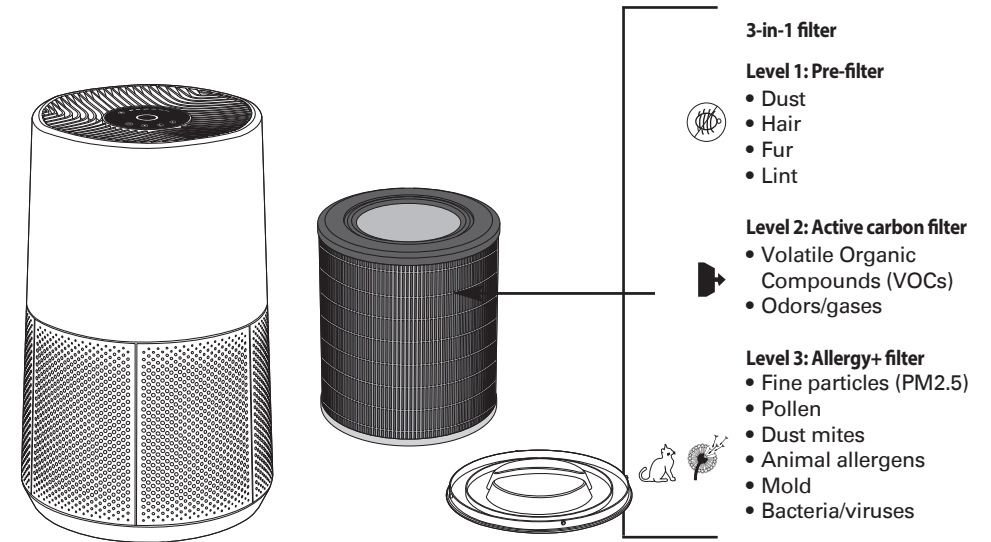
 If the pins of the plug parts are damaged, the plug-in power supply shall be scrapped.

VERY IMPORTANT

- **Do not cover the air inlets or the outlet grid.**
- **Do not touch the appliance with wet hands.**
- **Never allow any liquid to enter the appliance.**
- **Never use the appliance in a humid place.**
- **Never use the appliance close to a heat source.**
- **Never place anything on the appliance or insert anything into it.**
- **Do not use the appliance close to flammable objects or products (curtains, aerosols, solvents, etc.).**
- **Never use the appliance in an inclined or horizontal position. Place the appliance on a flat, stable surface.**
- **In the case of prolonged absence : switch the appliance off and unplug it.**
- **Switch off and unplug your appliance before moving it.**
- **The air purifier must be unplugged during assembly and cleaning.**

OPERATING PRINCIPLE

Pure Air City enables you to breathe pure air in your home and protects your health with up to 3 filtration levels as described below. Each level is essential and traps specific pollutant :



« HOW TO ACHIEVE CLEANER INDOOR AIR »

In addition to using your Intense Air Purifier, here are some tips on how to improve the quality of your indoor air:

- Ventilate the rooms for at least 10 min. every day, in summer and winter
- Maintain your ventilation system
- Limit the use of household products
- Do not smoke indoors
- Avoid home fragrances, incense sticks, scented candles, etc.
- Ventilate whenever any work is being conducted in your home and for several weeks afterwards
- Avoid green plants that are allergenic or need frequent watering

Obsah je uzamčen

Dokončete, prosím, proces objednávky.

Následně budete mít přístup k celému dokumentu.



Proč je dokument uzamčen? Nahněvat Vás rozhodně nechceme. Jsou k tomu dva hlavní důvody:

- 1) Vytvořit a udržovat obsáhlou databázi návodů stojí nejen spoustu úsilí a času, ale i finanční prostředky. Dělali byste to Vy zadarmo? Ne*. Zakoupením této služby obdržíte úplný návod a podpoříte provoz a rozvoj našich stránek. Třeba se Vám to bude ještě někdy hodit.

**) Možná zpočátku ano. Ale vězte, že dotovat to dlouhodobě nelze. A rozhodně na tom nezbohatneme.*

- 2) Pak jsou tady „roboti“, kteří se přiživují na naší práci a „vysávají“ výsledky našeho úsilí pro svůj prospěch. Tímto krokem se jim to snažíme překazit.

A pokud nemáte zájem, respektujeme to. Urgujte svého prodejce. A když neuspějete, rádi Vás uvidíme!