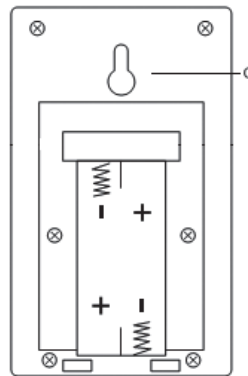
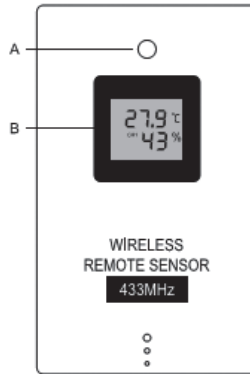
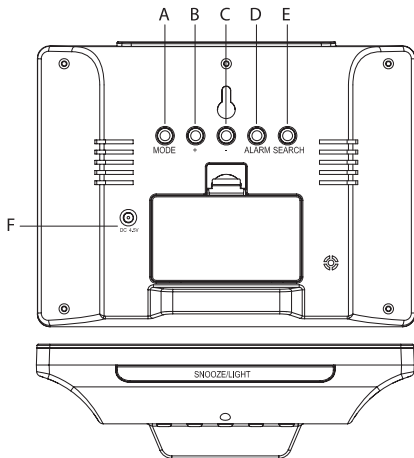
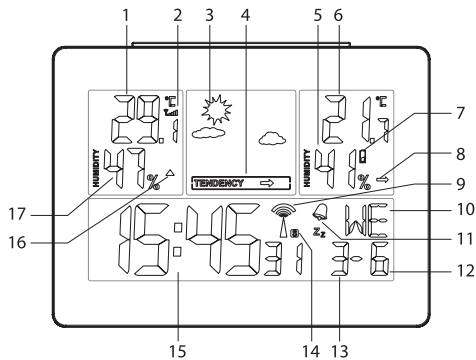


# E5062

GB	Wireless Weather Station
CZ	Bezdrátová meteostanice
SK	Bezdrôtová meteostanica
PL	Bezprzewodowa stacja meteorologiczna
HU	Vezeték nélküli meteorológiai állomás
SI	Brezžična meteorološka postaja
RS HR BA ME	Bežična meteorološka stanica
DE	Drahtlose Wetterstation
UA	Бездротовий метеорологічний пристрій
RO	Stație meteorologică fără fir
LT	Belaidė meteorologinė stotelė
LV	Bezvadu meteorolģiskā stacija
EE	Juhtmevaba ilmajaam
BG	Безжична метеорологична станция



[www.emos.eu](http://www.emos.eu)



## GB | Wireless Weather Station

The weather station displays a clock, an alarm clock with the snooze function, weather forecast, accurate data on indoor and outdoor temperature, humidity, date and the day of the week.

It has a memory of the minimum and maximum readings.  
Read carefully this manual before first using this product.

### Specifications:

radio controlled clock

indoor/outdoor temperature: 0 °C to +50 °C; -50 °C to +70 °C

temperature increments: 0.1 °C

temperature measurement accuracy: ±1 °C (0 to 40 °C), otherwise ±2 °C

wireless sensor: transmission frequency 433 MHz, 10 mW e.r.p. max.

radio signal range: up to 30 m in open area

number of sensors: 1

wire probe length: 1 m

relative humidity: 20–90 %

resolution: 1 %

measurement accuracy: ±5 % (30–80 %), otherwise ±8 %

power supply:

main station: 4.5 V DC 150 mA AC/DC adapter, 2× 1.5 V AA batteries (not supplied)

remote sensor: 2× 1.5 V AAA batteries (not supplied)

dimensions and weight without batteries:

main station: 110 × 145 × 45 mm, 252 g

remote sensor: 100 × 60 × 21 mm, 54 g

## Overview of icons and buttons

### Front side and display

- |  |                             |
|--|-----------------------------|
| 1 – outdoor temperature                      | 10 – day of the week        |
| 2 – signal reception from remote sensor icon | 11 – alarm clock icon       |
| 3 – weather forecast icon                    | 12 – month                  |
| 4 – weather trend                            | 13 – day                    |
| 5 – indoor humidity                          | 14 – DST icon               |
| 6 – indoor temperature                       | 15 – current time           |
| 7 – weather station battery flat icon        | 16 – outdoor humidity trend |
| 8 – indoor humidity trend                    | 17 – outdoor humidity       |
| 9 – DCF77 radio signal reception icon        |                             |

### Back side

	Press button	Press and hold (3 seconds)
(A) MODE	-	Setting the time format, time shift, hours, year, date, day of the week language
(B) +	Displays max/min temperature and humidity readings	-
(C) -	Displays temperature units °C/°F	Searches for DCF77 signal
(D) ALARM	Alarm time, alarm activation	Setting an alarm
(E) SEARCH		Searches for the remote sensor

F – power supply input

### Top side

SNOOZE/LIGHT – Activates display backlight and snooze feature

### Wireless sensor

A – LED of signal transmission from the sensor

B – outdoor temperature and humidity

C – a hole to hang the device on the wall

## Putting into operation

1. Insert batteries into the weather station (2× 1.5 V AA), connect the 4.5V AC adapter and then into the wireless sensor (2× 1.5 V AAA). When inserting the batteries make sure the polarity is correct to avoid damaging the weather station or sensor. Only use alkaline batteries of the same type, do not use rechargeable batteries.
2. Place the two units next to each other. The weather station finds signal from the remote sensor within 3 minutes. If it is not found, press and hold the SEARCH button to repeat the search.
3. If the outdoor temperature on the display disappears, press and hold SEARCH on the weather station. The weather station resets all values and repeats search for the sensor signal.
4. We recommend placing the sensor on the north side of the house. The range of the sensor may decrease substantially in urban areas.
5. The sensor is resistant to dripping water, however, it should not be exposed to rain permanently.
6. Do not place the sensor on metallic objects, otherwise it will reduce its transmission range.
7. If low battery icon is displayed, replace batteries in the sensor or weather station.

*Note: Batteries in the weather station are used as a backup of the readings/set values. If power supply is disconnected, with no batteries inserted, all data will be lost.*

### Radio controlled clock (DCF77)

After registration, the weather station uses the wireless sensor to automatically search for DCF77 signal for 7 minutes, icon No.9 flashes.

During the search, no other data on the display will be updated and the buttons will be disabled (except SNOOZE/LIGHT).

Signal detected - the icon stops flashing and displays the current time with the DCF icon.

Signal not detected – DCF icon is not displayed.

Press and hold the button to repeat search for the DCF77 signal -.

Press and hold the button again to stop search for the DCF77 signal -.

DCF signal will be synchronised daily between 2:00 and 3:00 am.

In normal conditions (at a safe distance from sources of interference, such as television sets or computer monitors) the capture of time signal takes several minutes.

### If the weather station does not detect the signal, follow these steps:

1. Move the weather station to another location and try to detect the DCF signal again.
2. Check the distance of the clock from the sources of interference (computer monitors or television sets). It should be at least 1.5 to 2 m during the reception of the signal.
3. When receiving DCF signal, do not put the weather station to the proximity of metal doors, window frames and other metal structures or objects (washing machines, dryers, refrigerators etc.).

# Obsah je uzamčen

**Dokončete, prosím, proces objednávky.**

**Následně budete mít přístup k celému dokumentu.**



**Proč je dokument uzamčen? Nahněvat Vás rozhodně nechceme. Jsou k tomu dva hlavní důvody:**

1) Vytvořit a udržovat obsáhlou databázi návodů stojí nejen spoustu úsilí a času, ale i finanční prostředky. Dělali byste to Vy zadarmo? Ne\*. Zakoupením této služby obdržíte úplný návod a podpoříte provoz a rozvoj našich stránek. Třeba se Vám to bude ještě někdy hodit.

*\*) Možná zpočátku ano. Ale vězte, že dotovat to dlouhodobě nelze. A rozhodně na tom nezbohatneme.*

2) Pak jsou tady „roboti“, kteří se přiživují na naší práci a „vysávají“ výsledky našeho úsilí pro svůj prospěch. Tímto krokem se jim to snažíme překazit.

A pokud nemáte zájem, respektujeme to. Urgujte svého prodejce. A když neuspějete, rádi Vás uvidíme!