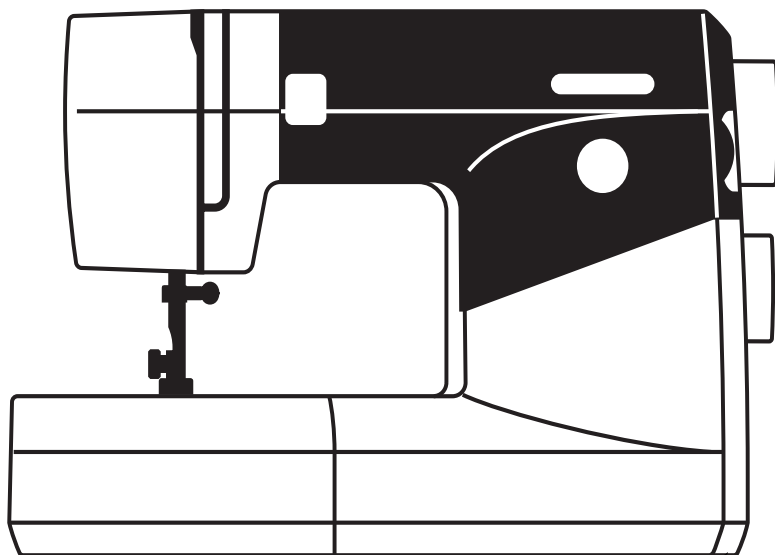

User's Guide

Huskystar

219/224

Type A



This household sewing machine is designed to comply with IEC/EN 60335-2-28 and ULI594

IMPORTANT SAFETY INSTRUCTIONS

When using an electrical appliance, basic safety precautions should always be followed, including the following:

Read all instructions before using this household sewing machine.

DANGER - To reduce the risk of electric shock:

- A sewing machine should never be left unattended when plugged in. Always unplug this sewing machine from the electric outlet immediately after using and before cleaning.
- Always unplug before relamping. Replace bulb with same type rated 15 Watt.

WARNING - To reduce the risk of burns, fire, electric shock, or injury to persons:

- This sewing machine is not intended for use by persons (including children) with reduced physical, sensory or mental capabilities, or lack of experience and knowledge, unless they have been given supervision or instruction concerning use of the sewing machine by a person responsible for their safety.
- Children should be supervised to ensure that they do not play with the sewing machine.
- Use this sewing machine only for its intended use as described in this manual. Use only attachments recommended by the manufacturer as contained in this manual.
- Never operate this sewing machine if it has a damaged cord or plug, if it is not working properly, if it has been dropped or damaged, or dropped into water. Return the sewing machine to the nearest authorized dealer or service center for examination, repair, electrical or mechanical adjustment.
- Never operate the sewing machine with any air openings blocked. Keep ventilation openings of the sewing machine and foot controller free from the accumulation of lint, dust, and loose cloth.
- Keep fingers away from all moving parts. Special care is required around the sewing machine needle.
- Always use the proper needle plate. The wrong plate can cause the needle to break.
- Do not use bent needles.
- Do not pull or push fabric while stitching. It may deflect the needle causing it to break.
- Switch the sewing machine off ("0") when making any adjustment in the needle area, such as threading needle, changing needle, threading bobbin, or changing presser foot, etc.
- Always unplug sewing machine from the electrical outlet when removing covers, lubricating, or when making any other user servicing adjustments mentioned in the instruction manual.
- Never drop or insert any object into any opening.
- Do not use outdoors.
- Do not operate where aerosol (spray) products are being used or where oxygen is being administered.
- To disconnect, turn all controls to the off ("0") position, then remove plug from outlet.
- Do not unplug by pulling on cord. To unplug, grasp the plug, not the cord.

SAVE THESE INSTRUCTIONS

For the USA and Canada

This sewing machine has a polarized plug (one blade wider than the other). To reduce the risk of electric shock, this plug is intended to fit in a polarized outlet only one way. If the plug does not fit fully in the outlet, reverse the plug. If it still does not fit, contact a qualified electrician to install the proper outlet. Do not modify the plug in any way.

TABLE OF CONTENTS

Name of Parts	2-3	Finishing Sewing	22
Extension Table	4	Straight Stitching on Heavy Fabrics	23
To Store Foot Control	4	Seam Allowance Lines	23
Standard Accessories	5		

GETTING READY TO SEW

Connecting the Machine to the Power Supply	6
Controlling Sewing Speed	7
Up/Down Needle Position Button	8
Reverse Stitch Button	8
Pressure Adjusting Dial	8
Dropping the Feed Teeth	9
Sewing Light	9
Presser Foot Lifter	10
To Remove and Attach the Presser Foot	10
To Remove and Attach Presser Foot Ankle	10
Changing the Needle	11
Needle and Thread chart	11
Winding the Bobbin	
Setting the Spool	12
Removing the Bobbin	12
Winding the Bobbin	13
Inserting the Bobbin	14
Threading the Machine	15
To Use Needle Threader	16
Drawing Up Bobbin Thread	17
Pattern Selector Dial	18
Stitch Length Dial	18
Zigzag Width Control	19
Infinite Needle Position	19
Balancing Needle Thread Tension	20
Straight Stitching	21
Starting to Sew	21
Changing Sewing Direction	21

UTILITY STITCHING

Zigzag Stitching	24
Overcasting	24
Seam/Overcast stitch	25
Multiple ZigZag	25
Reinforced Straight Stitch	26
Lightening Stitch	26
Sewing Buttons	27
Automatic Buttonhole	28-31
Corded Buttonhole	32
Manual Buttonhole	33-34
Zipper Sewing	35-38
Blind Stitch Hemming	39
Decorative Satin Stitch Patterns	40
Stretch Stitch Patterns	40
Adjusting Stretch Stitch Balance	41
Smocking	42
Quilting	43
Pin Tucking	44
Shell Tuck	44
Fagoting	45
Patch Work	45
Applique	46

CARE OF YOUR MACHINE

Cleaning the Hook Assembly Area and Feed Teeth	47
Replacing the Bobbin Holder	48
Troubleshooting	49-50

Obsah je uzamčen

Dokončete, prosím, proces objednávky.

Následně budete mít přístup k celému dokumentu.



Proč je dokument uzamčen? Nahněvat Vás rozhodně nechceme. Jsou k tomu dva hlavní důvody:

- 1) Vytvořit a udržovat obsáhlou databázi návodů stojí nejen spoustu úsilí a času, ale i finanční prostředky. Dělali byste to Vy zadarmo? Ne*. Zakoupením této služby obdržíte úplný návod a podpoříte provoz a rozvoj našich stránek. Třeba se Vám to bude ještě někdy hodit.

**) Možná zpočátku ano. Ale vězte, že dotovat to dlouhodobě nelze. A rozhodně na tom nezbohatneme.*

- 2) Pak jsou tady „roboti“, kteří se přiživují na naší práci a „vysávají“ výsledky našeho úsilí pro svůj prospěch. Tímto krokem se jim to snažíme překazit.

A pokud nemáte zájem, respektujeme to. Urgujte svého prodejce. A když neuspějete, rádi Vás uvidíme!