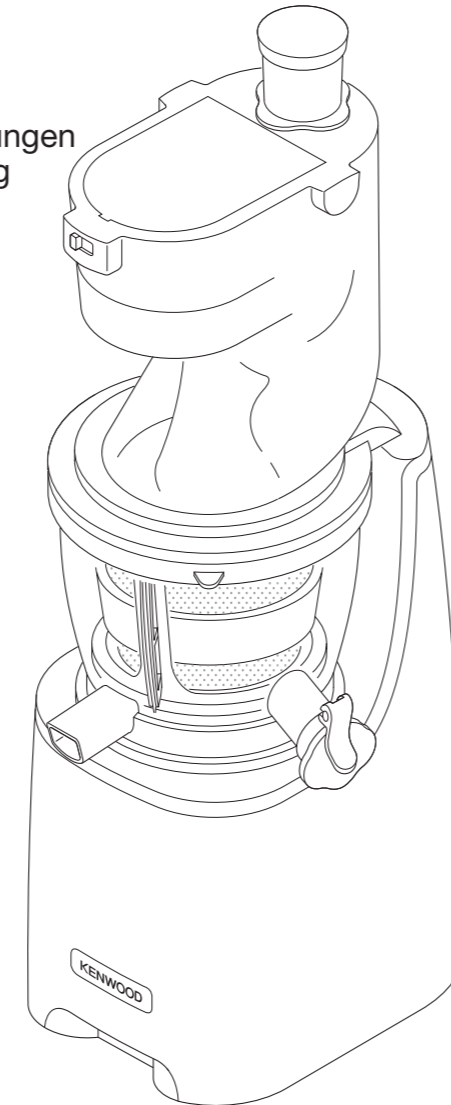


KENWOOD

TYPE JMP80

instructions
istruzioni
instrucciones
Bedienungsanleitungen
gebruiksaanwijzing



English	2 - 8
Nederlands	9 - 15
Français	16 - 23
Deutsch	24 - 31
Italiano	32 - 40
Português	41 - 48
Español	49 - 55
Dansk	56 - 62
Svenska	63 - 69
Norsk	70 - 76
Suomi	77 - 83
Türkçe	84 - 91
Česky	92 - 98
Magyar	99 - 106
Polski	107 - 114
Ελληνικά	115 - 123
Slovenčina	124 - 132
Українська	133 - 140
عربي	١٤٨ - ١٤١

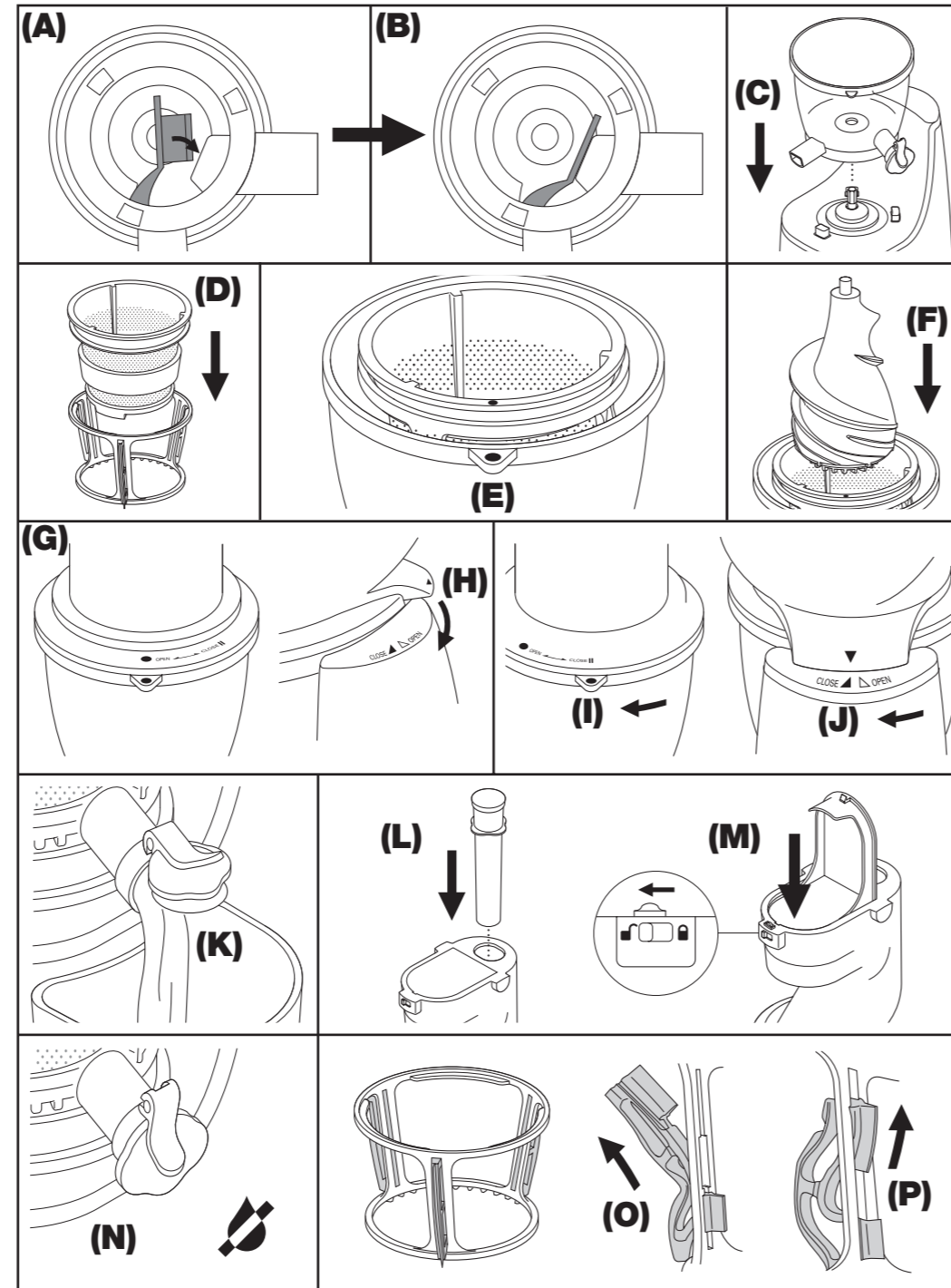
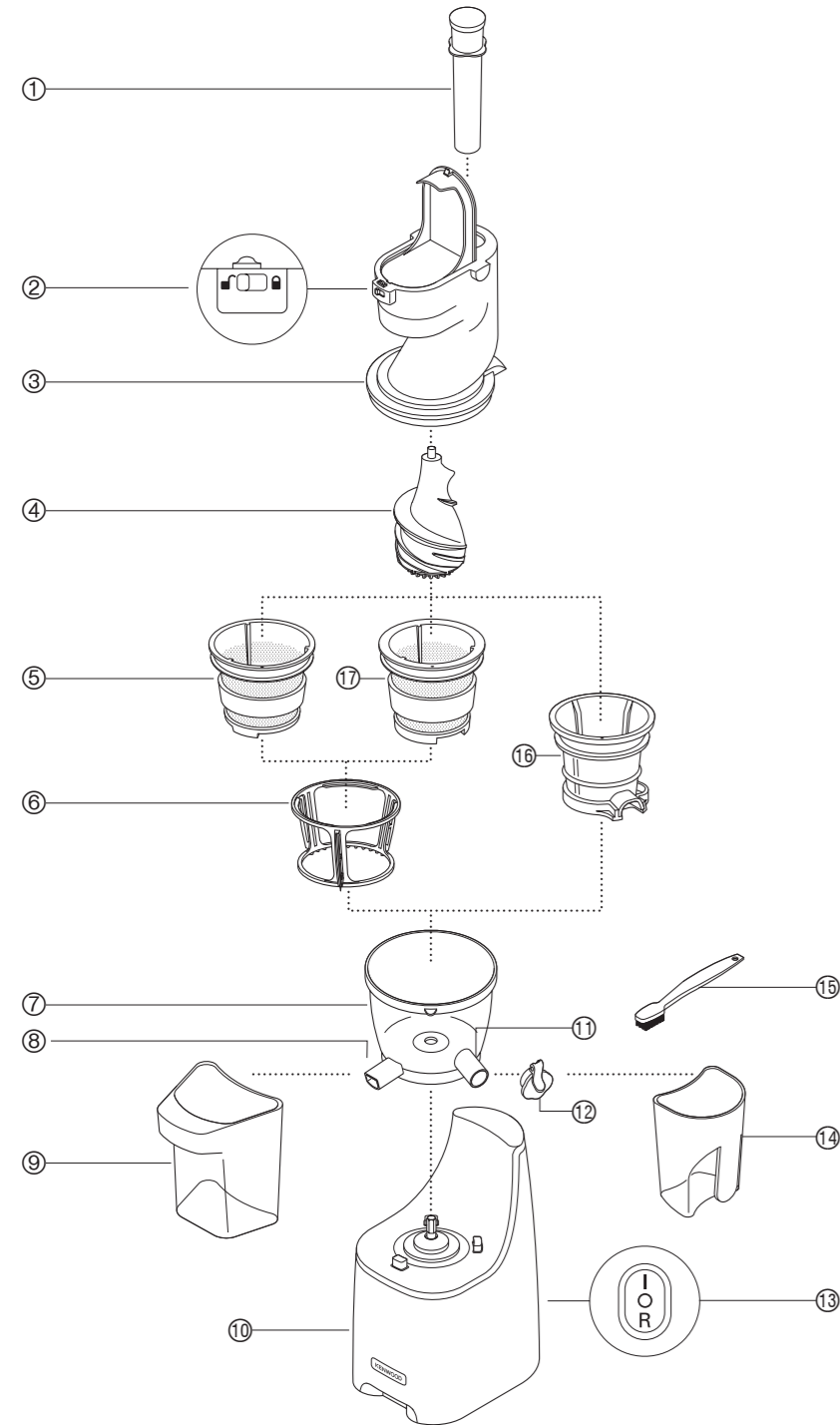


HEAD OFFICE: Kenwood Limited, 1-3 Kenwood Business Park, New Lane, Havant, Hampshire PO9 2NH

kenwoodworld.com

KENWOOD
CREATE MORE

131274/3



safety

- Read these instructions carefully and retain for future reference.
- Remove all packaging and any labels.
- If the cord is damaged it must, for safety reasons, be replaced by KENWOOD or an authorised KENWOOD repairer.
- **Do not use the juicer if the filter is damaged.**
- Never put the power unit, cord or plug in water – you could get an electric shock.
- Switch off and unplug:
 - before fitting or removing parts
 - before cleaning
 - after use.
- Never use a damaged juicer. Get it checked or repaired: see 'Service and customer care'.
- Only use the pusher supplied. Never put your fingers in the feed tube. Unplug and remove the lid before unblocking the feed tube.
- Before removing the lid, switch off and wait for the filter to stop.
- Do not over fill the feed tube or use excessive force to push the food down the feed tube – you could damage your juicer.
- Do not process frozen fruit or vegetables. Allow to defrost before processing.
- Do not process dried or hard ingredients such as grains, fruit with hard seeds or ice as they may damage the juicer.
- Do not reprocess extracted pulp through the juicer as may cause the juicer to clog or stop operating.
- Do not touch moving parts.
- Do not use unauthorised attachments
- The sorbet attachment is not suitable for processing ice cubes.
- Never leave the juicer switched on unattended.
- Children should be supervised to ensure that they do not play with the appliance.

- This appliance shall not be used by children. Keep the appliance and its cord out of reach of children.
- Misuse of your appliance can result in injury.
- Do not let the cord touch hot surfaces or hang down where a child could grab it.
- Appliances can be used by persons with reduced physical, sensory or mental capabilities or lack of experience and knowledge if they have been given supervision or instruction concerning use of the appliance in a safe way and if they understand the hazards involved.
- Only use the appliance for its intended domestic use. Kenwood will not accept any liability if the appliance is subject to improper use, or failure to comply with these instructions.

before plugging in

- Make sure your electricity supply is the same as the one shown on the underside of the appliance.
- **WARNING: THIS APPLIANCE MUST BE EARTHED.**
- This appliance conforms to EC Regulation 1935/2004 on materials and articles intended to come into contact with food.

before using for the first time

Wash the parts: see 'care and cleaning'.

key

- ① pusher
- ② feed tube lid latch
- ③ lid with feed tubes
- ④ scroll
- ⑤ filter basket (red dot)
- ⑥ rotating wiper holder
- ⑦ juicing bowl
- ⑧ pulp spout
- ⑨ pulp container
- ⑩ power unit
- ⑪ juice spout
- ⑫ anti-drip stopper
- ⑬ On/Off/Reverse switch
- ⑭ juice jug
- ⑮ cleaning brush
- ⑯ sorbet attachment (if supplied)
- ⑰ smoothie attachment (white dot) (if supplied)

using your juicer

- 1 Fit the pulp stopper **(A)** into the opening on the underside of the juicing bowl ⑦ and push in until secure **(B)**.
 - 2 Fit the juicing bowl ⑦ to the power unit by positioning the juice spout to the front **(C)**.
 - 3 Place the filter basket ⑤ into the wiper holder ⑥ **(D)**.
 - 4 Lower the wiper holder assembly into the juicing bowl and align the red dot on the filter basket with the red dot on the bowl **(E)**. Ensure that the filter basket is locked into place.
 - 5 Place the scroll ④ into the filter basket, push down and turn slightly to secure **(F)**. **Note: the lid cannot be fitted if the scroll is not fully pushed down.**
 - 6 Fit the lid ③ onto the bowl by aligning the red dot on the lid with the red dot on the bowl **(G)**. Then turn to lock in a clockwise direction **(H)** until the **||** on the lid aligns with the red dot on the bowl **(I)** and the **▼** aligns with the **▲** on top of the power unit **(J)**.
 - 7 Place the pulp container ⑨ under the pulp spout ⑧ and place the juice jug ⑭ under the juice spout ⑪. Ensure the anti-drip stopper ⑫ if fitted is in the open position **(K)** before juicing.
- The anti-drip stopper can be left in the closed position if you want to mix different fruits and vegetables. Do not allow the juice to exceed the maximum capacity marked on the bowl when operating the juicer with the stopper closed as the juice may overflow.

Obsah je uzamčen

Dokončete, prosím, proces objednávky.

Následně budete mít přístup k celému dokumentu.



Proč je dokument uzamčen? Nahněvat Vás rozhodně nechceme. Jsou k tomu dva hlavní důvody:

- 1) Vytvořit a udržovat obsáhlou databázi návodů stojí nejen spoustu úsilí a času, ale i finanční prostředky. Dělali byste to Vy zadarmo? Ne*. Zakoupením této služby obdržíte úplný návod a podpoříte provoz a rozvoj našich stránek. Třeba se Vám to bude ještě někdy hodit.

**) Možná zpočátku ano. Ale vězte, že dotovat to dlouhodobě nelze. A rozhodně na tom nezbohatneme.*

- 2) Pak jsou tady „roboti“, kteří se přiživují na naší práci a „vysávají“ výsledky našeho úsilí pro svůj prospěch. Tímto krokem se jim to snažíme překazit.

A pokud nemáte zájem, respektujeme to. Urgujte svého prodejce. A když neuspějete, rádi Vás uvidíme!