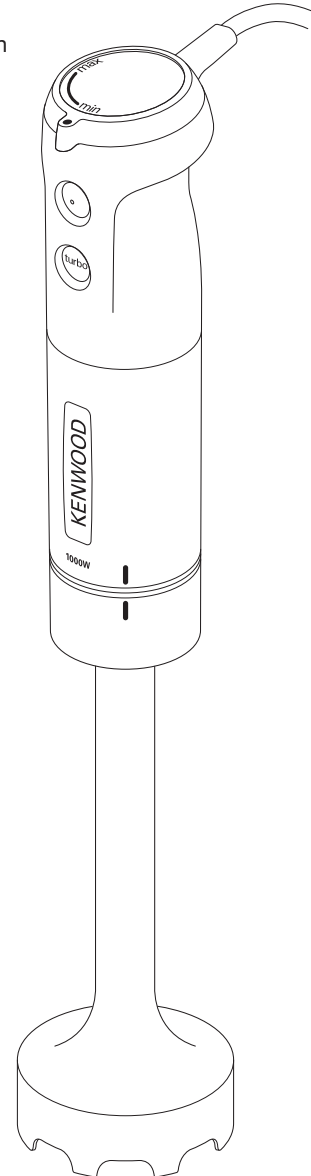


KENWOOD

triblade
SYSTEMPRO™

TYPE HDM80

instructions
istruzioni
instrucciones
Bedienungsanleitungen
gebruiksaanwijzing



English	2 - 10
Nederlands	11 - 21
Français	22 - 31
Deutsch	32 - 42
Italiano	43 - 53
Português	54 - 63
Español	64 - 73
Dansk	74 - 83
Svenska	84 - 92
Norsk	93 - 101
Suomi	102 - 110
Türkçe	111 - 119
Česky	120 - 129
Magyar	130 - 140
Polski	141 - 152
Ελληνικά	153 - 163
Slovenčina	164 - 173
Українська	174 - 184
عربي	١٩٤ - ١٨٥

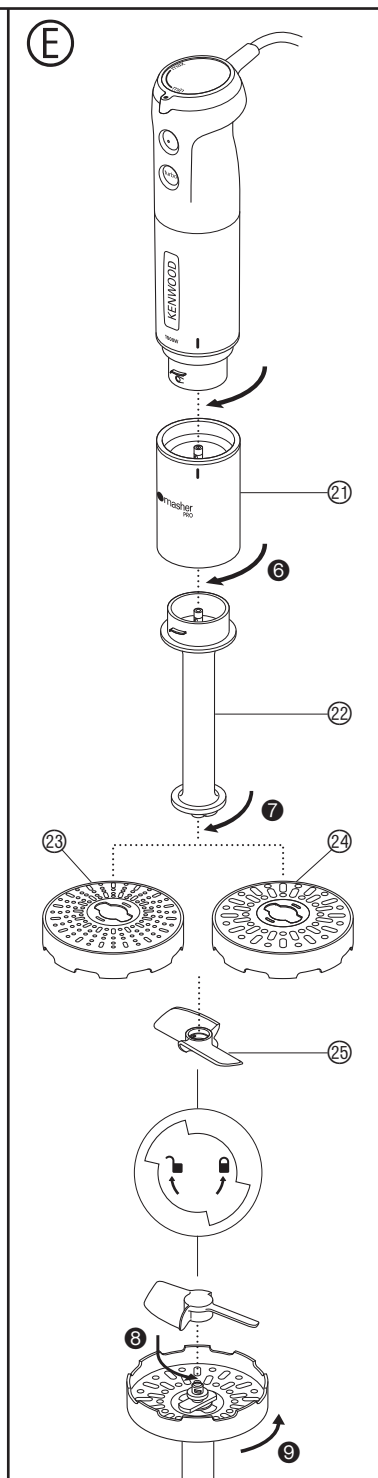
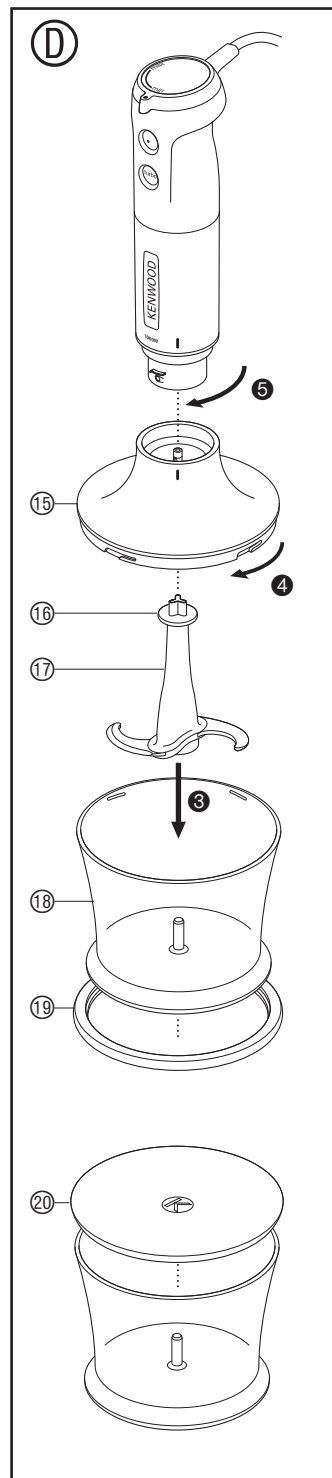
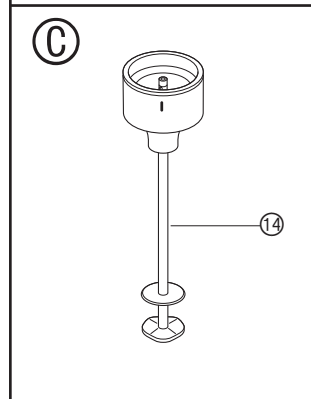
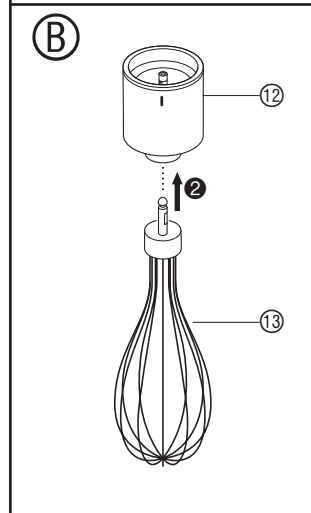
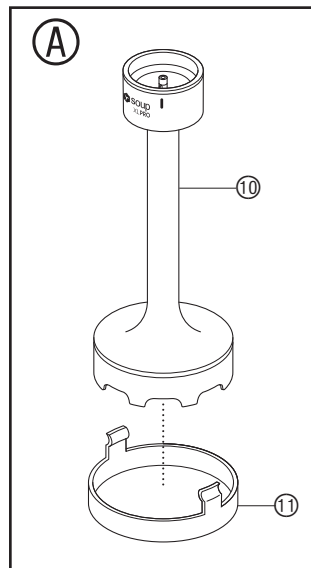
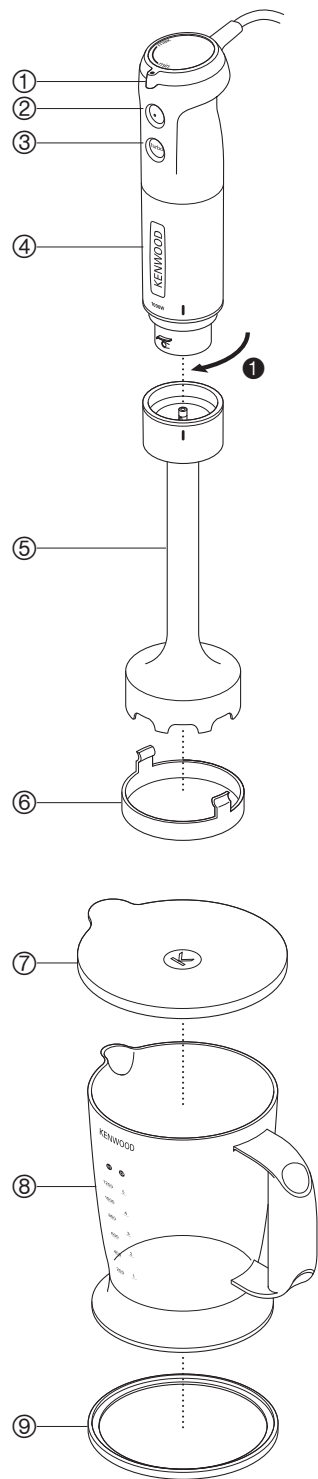


HEAD OFFICE: Kenwood Limited, 1-3 Kenwood Business Park, New Lane, Havant, Hampshire PO9 2NH

kenwoodworld.com

KENWOOD
CREATE MORE

129044/1



safety

- Read these instructions carefully and retain for future reference.
- Remove all packaging and any labels.
- Never touch the blades while the machine is plugged in.
- Keep fingers, hair, clothing and utensils away from moving parts.
- Unplug after use and before changing attachments.
- Never blend hot oil or fat.
- For safest use it is recommended to let hot liquids cool to room temperature before blending.
- Never use a damaged hand blender. Get it checked or repaired: see 'service and customer care'.
- Never put the power handle in water or let the cord or plug get wet - you could get an electric shock.
- Never let the cord touch hot surfaces or hang down where a child could grab it.
- Never use an unauthorised attachment.
- Always disconnect the hand blender from the power supply if it is left unattended and before assembling, disassembling or cleaning.
- Appliances can be used by persons with reduced physical, sensory or mental capabilities or lack of experience and knowledge if they have been given supervision or instruction concerning use of the appliance in a safe way and if they understand the hazards involved.
- Misuse of your appliance can result in injury.

- This appliance shall not be used by children. Keep the appliance and its cord out of reach of children.
- Children should be supervised to ensure that they do not play with the appliance.
- Only use the appliance for its intended domestic use. Kenwood will not accept any liability if the appliance is subject to improper use, or failure to comply with these instructions.
- The maximum rating is based on the attachment that draws the greatest load. Other attachments may draw less power.

important

- With heavy mixtures to ensure long life of your machine, do not use your hand blender for longer than 50 seconds in any 4 minute period.
- Do not use the whisk or frother/foaming attachments for longer than 3 minutes in any 10 minute period.

chopper attachment

- Do not touch the sharp blades.
- Remove the chopper blade before emptying the bowl.
- Never remove the cover until the chopper blade has completely stopped.
- Always hold the chopper blade by the finger grip away from the cutting blades, both when handling and cleaning.

before plugging in

- Make sure your electricity supply is the same as the one shown on the hand blender.
- This appliance conforms to EC directive 2004/108/EC on Electromagnetic Compatibility and EC regulation no. 1935/2004 of 27/10/2004 on materials intended for contact with food.

Obsah je uzamčen

**Dokončete, prosím, proces objednávky.
Následně budete mít přístup k celému dokumentu.**



Proč je dokument uzamčen? Nahněvat Vás rozhodně nechceme. Jsou k tomu dva hlavní důvody:

1) Vytvořit a udržovat obsáhlou databázi návodů stojí nejen spoustu úsilí a času, ale i finanční prostředky. Dělali byste to Vy zadarmo? Ne*. Zakoupením této služby obdržíte úplný návod a podpoříte provoz a rozvoj našich stránek. Třeba se Vám to bude ještě někdy hodit.

**) Možná zpočátku ano. Ale vězte, že dotovat to dlouhodobě nelze. A rozhodně na tom nezbohatneme.*

2) Pak jsou tady „roboti“, kteří se přiživují na naší práci a „vysávají“ výsledky našeho úsilí pro svůj prospěch. Tímto krokem se jim to snažíme překazit.

A pokud nemáte zájem, respektujeme to. Urgujte svého prodejce. A když neuspějete, rádi Vás uvidíme!