



BORN INNOVATIVE

HOOVER

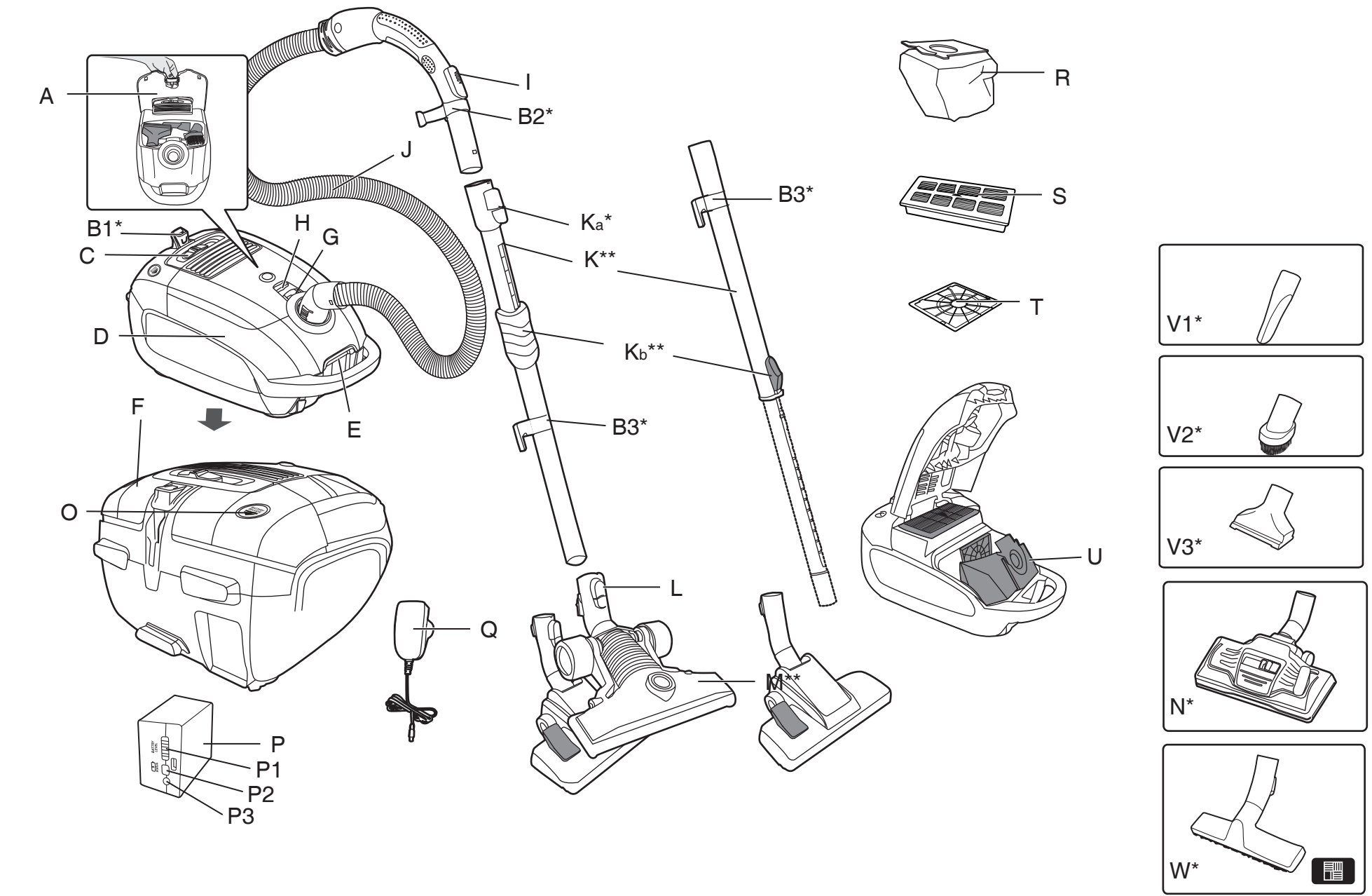


USER MANUAL (GB)P 01
 MANUEL D'UTILISATION (FR)P 06
 BEDIENUNGSANLEITUNG (DE)P 11
 MANUALE ISTRUZIONI (IT)P 16
 GEBRUIKERSHANDLEIDING (NL)P 21
 MANUAL DE INSTRUÇÕES (PT)P 26
 MANUAL DE INSTRUCCIONES (ES)P 31
 BRUGERVEJLEDNING (DK)P 36
 BRUKSANVISNING (NO)P 41
 INSTRUKTIONSMANUAL (SE)P 46
 KÄYTTÖOHJE (FI)P 51
 ΟΔΗΓΙΕΣ ΧΡΗΣΕΩΣ(GR)P 56
 РУКОВОДСТВО ПОЛЬЗОВАТЕЛЯ (RU)P 61
 INSTRUKCJA OBSŁUGI (PL)P 66
 NÁVOD K OBSLUZE (CZ)P 71
 NAVODILA ZA UPORABO (SI)P 76
 KULLANIM KILAVUZU(TR)P 81
 HASZNÁLATI ÚTMUTATÓ(HU).....P 86

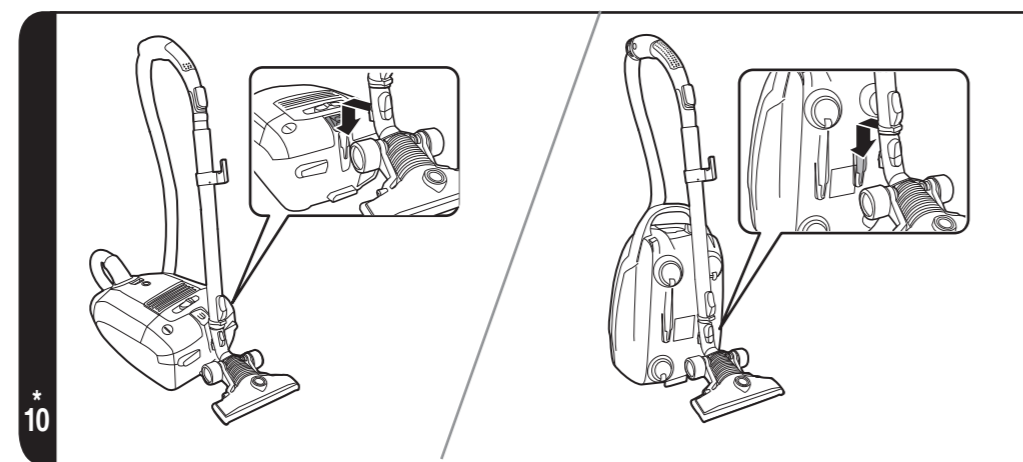
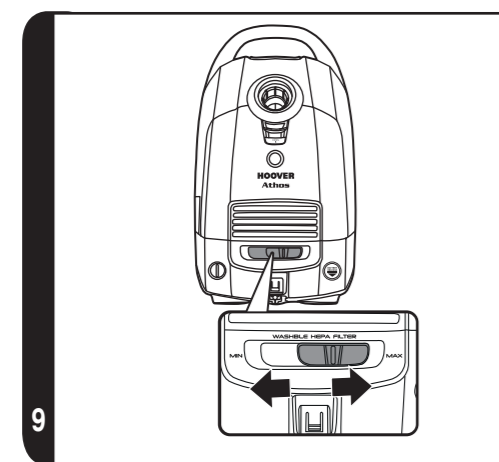
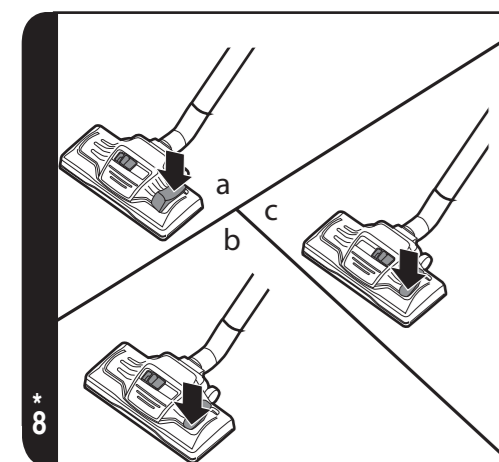
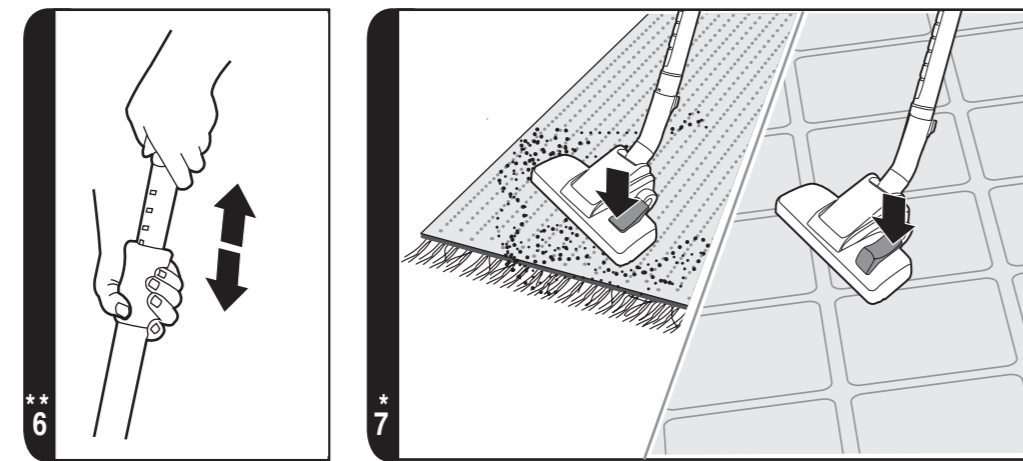
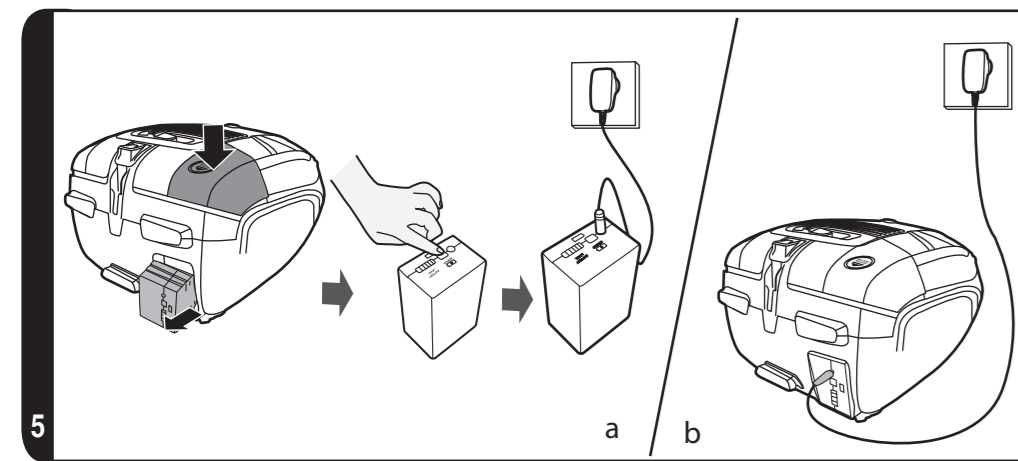
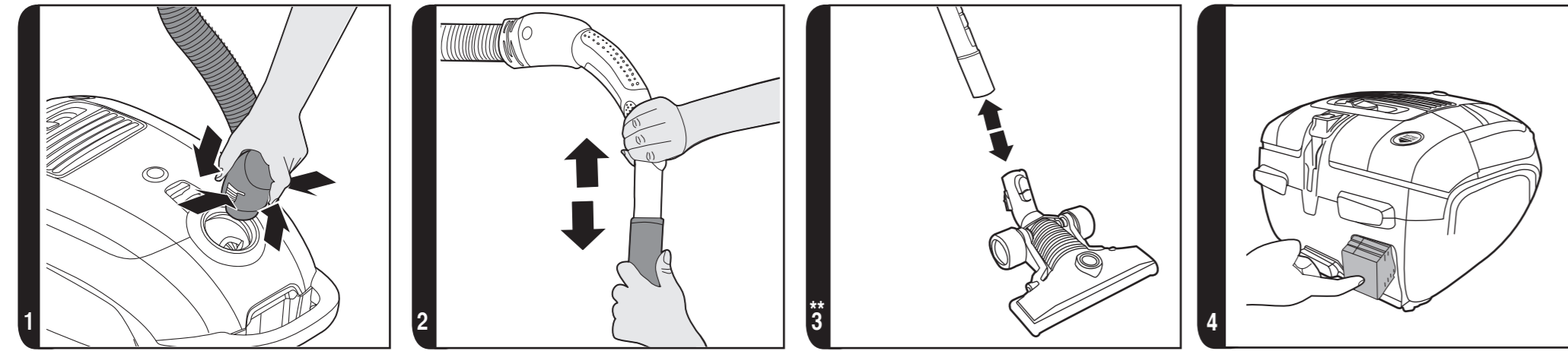


BORN INNOVATIVE

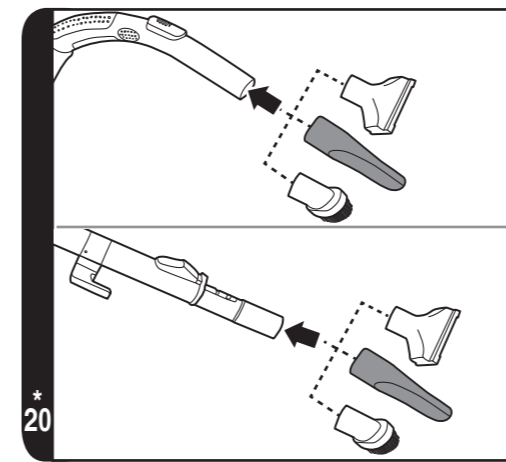
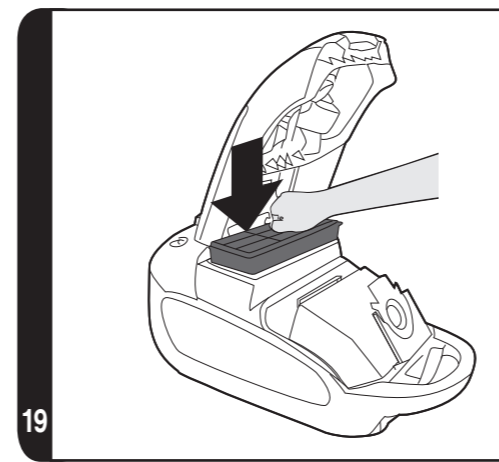
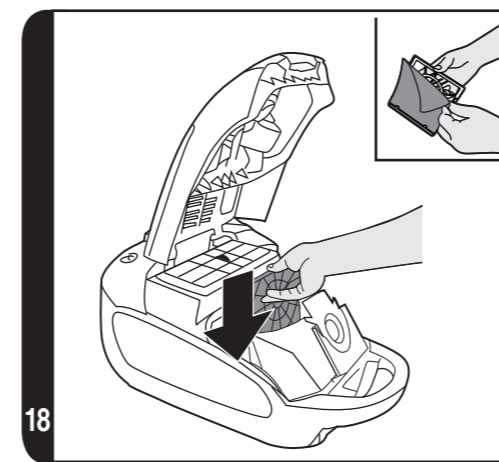
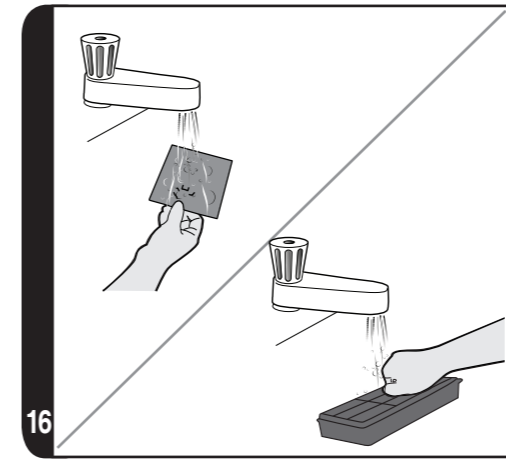
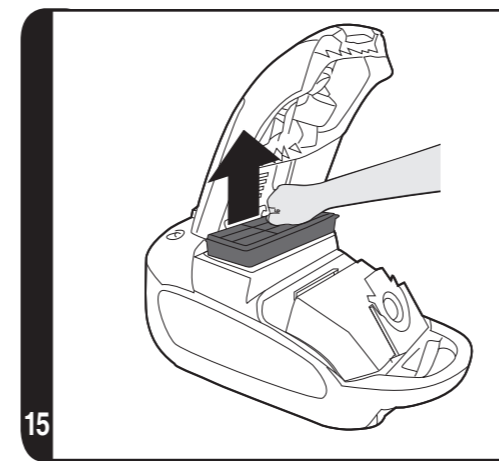
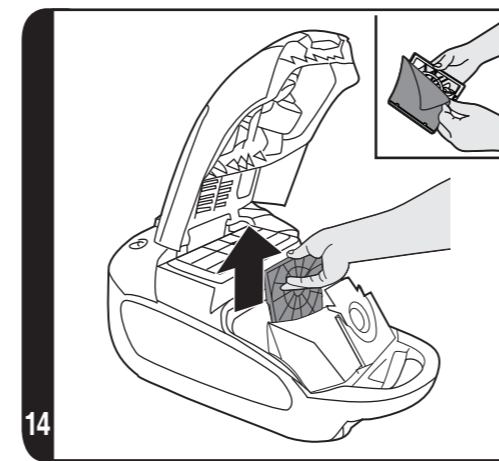
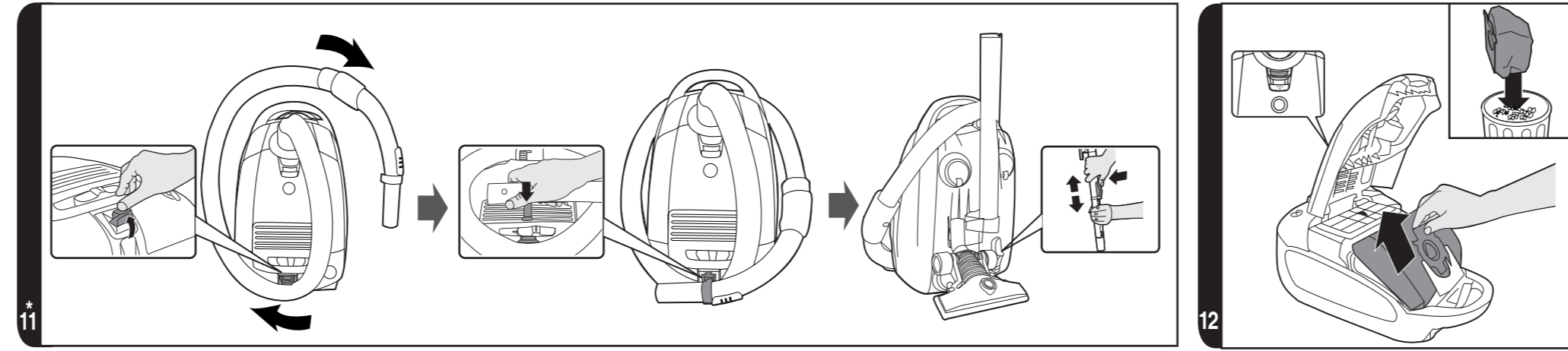
PRINTED IN P.R.C.
48022160/02



* Certain models only ** May vary according to the model



* Certain models only ** May vary according to the model



* Certain models only ** May vary according to the model

INSTRUCTIONS FOR SAFE USE

This appliance should only be used for domestic cleaning, as described in this user guide. Please ensure that this guide is fully understood before operating the appliance.

Do not leave the appliance plugged in. Always switch off and remove the plug from the socket after use, or before cleaning the appliance or any maintenance task.

This appliance can be used by children aged from 8 years and above and persons with reduced physical, sensory or mental capabilities or lack of experience and knowledge if they have been given supervision or instruction concerning use of the appliance in a safe way and understand the hazards involved. Children shall not play with the appliance. Cleaning and user maintenance shall not be made by children without supervision.

If the power cord is damaged stop using the appliance immediately. To avoid a safety hazard, an authorised HOOVER service engineer must replace the power cord.

Keep hands, feet, loose clothing and hair away from rotating brushes.

Use only the original charger supplied with the appliance.

Check that your supply voltage is the same as that stated on the charger.

This appliance is supplied with a double insulated battery charger which is only suitable for insertion in a 230V (UK 240V) socket outlet.

Plug the charger in to suitable socket outlet and connect the charger jack plug to the appliance.

For first use, charge the battery pack for 5.5 hours.

To charge the battery pack, detach it from the cleaner

by pressing the battery pack release pedal and plug the charger into the charging port located on the battery pack.

The battery pack can also be charged when inserted into the cleaner. [5]

Ensure that the cleaner is switched off during charging.

When the charger is connected, the LED lights battery indicator on the battery pack will illuminate in turn as the battery charges, until all four lights are illuminated.

Once fully charged, the four LED lights will remain lit and will turn off after 5 minutes.

Re-connect the appliance to the charger after use to recharge the battery.

Never charge the batteries in temperatures above 45°C or below 0°C.

It is normal for the charger to become warm to the touch when charging. When charging the cleaner, it will automatically turn off.

Do not unplug the charger by pulling on the power cord.

Unplug the charger in the event of prolonged absence (holidays, etc.). Recharge appliance again before use as batteries may self discharge over increased periods of storage.

If the appliance is to be disposed of the batteries must first be removed. The appliance must be disconnected from the supply mains when removing the battery. Dispose of the batteries safely. Run the appliance until it stops because the batteries are fully discharged. Used batteries should be taken to a recycling station and not disposed of with household waste. To remove the batteries, please contact the Hoover Customer Centre or proceed according to the following instructions.

Obsah je uzamčen

Dokončete, prosím, proces objednávky.

Následně budete mít přístup k celému dokumentu.



Proč je dokument uzamčen? Nahněvat Vás rozhodně nechceme. Jsou k tomu dva hlavní důvody:

- 1) Vytvořit a udržovat obsáhlou databázi návodů stojí nejen spoustu úsilí a času, ale i finanční prostředky. Dělali byste to Vy zadarmo? Ne*. Zakoupením této služby obdržíte úplný návod a podpoříte provoz a rozvoj našich stránek. Třeba se Vám to bude ještě někdy hodit.

**) Možná zpočátku ano. Ale vězte, že dotovat to dlouhodobě nelze. A rozhodně na tom nezbohatneme.*

- 2) Pak jsou tady „roboti“, kteří se přiživují na naší práci a „vysávají“ výsledky našeho úsilí pro svůj prospěch. Tímto krokem se jim to snažíme překazit.

A pokud nemáte zájem, respektujeme to. Urgujte svého prodejce. A když neuspějete, rádi Vás uvidíme!