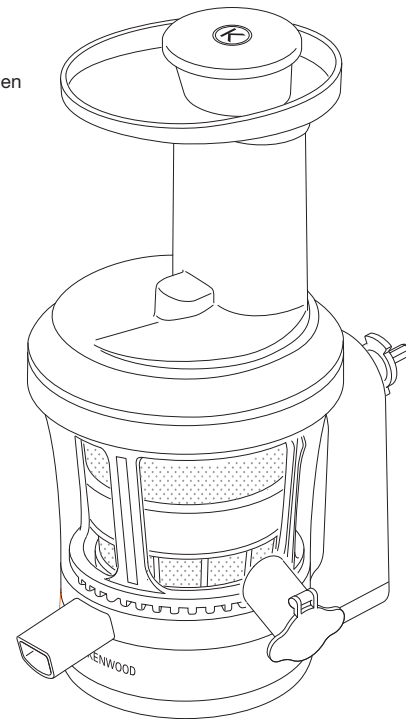


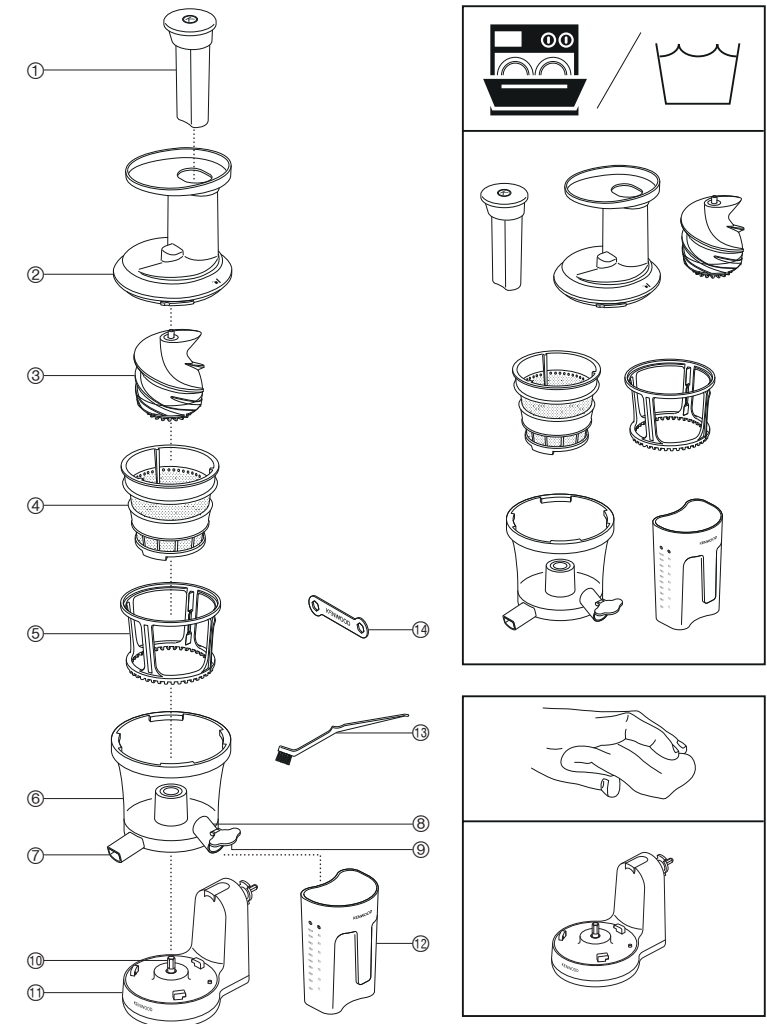
KENWOOD

KAX720PL

instructions
 istruzioni
 instrucciones
 Bedienungsanleitungen
 gebruiksaanwijzing
 Инструкции
 Juhised
 Instrukcijos
 Norādījumi



English	2 - 8
Nederlands	9 - 15
Français	16 - 23
Deutsch	24 - 30
Italiano	31 - 38
Português	39 - 45
Español	46 - 52
Dansk	53 - 59
Svenska	60 - 66
Norsk	67 - 73
Suomi	74 - 80
Türkçe	81 - 87
Česky	88 - 94
Magyar	95 - 101
Polski	102 - 109
Русский	110 - 118
Ελληνικά	119 - 126
Slovenčina	127 - 133
Українська	134 - 141
Eesti	142 - 148
Lietuvių	149 - 155
Latviešu	156 - 162
عربي	١٦٩ - ١٧٣



HEAD OFFICE: Kenwood Limited, 1-3 Kenwood Business Park, New Lane, Havant, Hampshire PO9 2NH
kenwoodworld.com

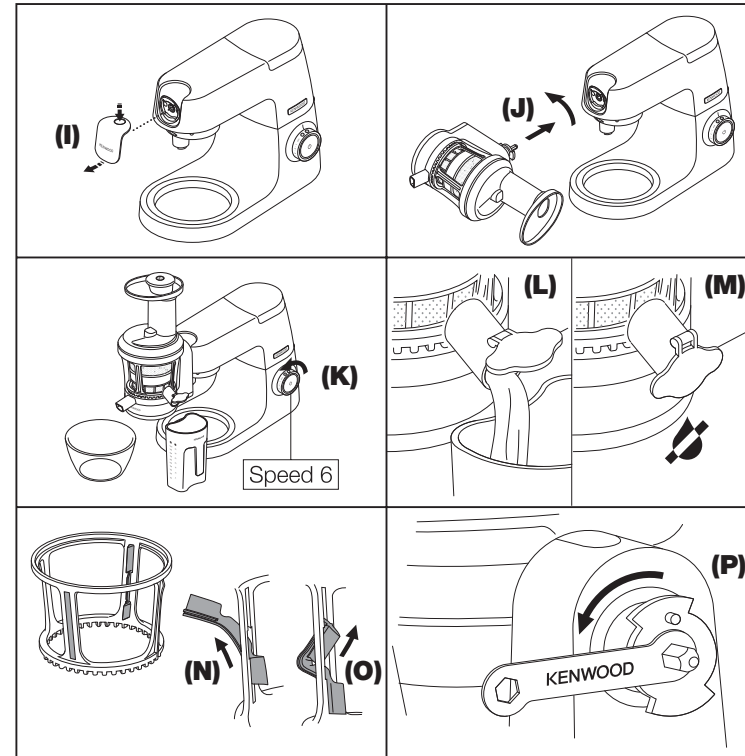
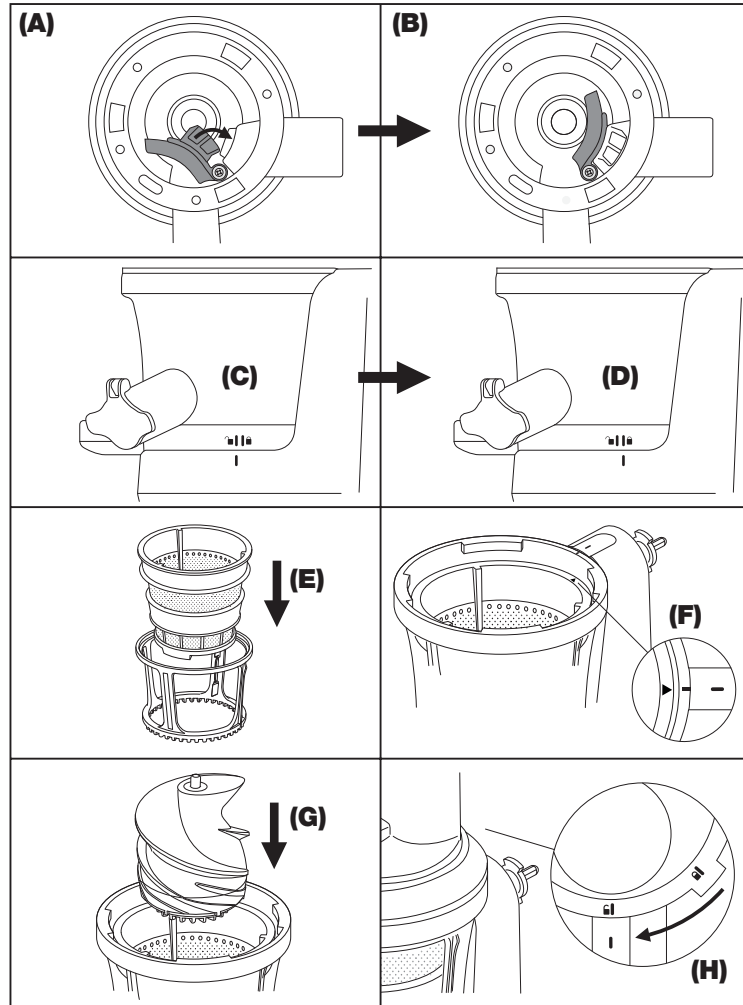
KENWOOD
 CREATE MORE

© Kenwood Ltd 2017

137676/1

137676 iss 1 KAX720PL 6pg multi.indd 1-4


13/12/2017 14:26



safety

- Read these instructions carefully and retain for future reference.
- Remove all packaging and any labels.
- **Do not use the juicer if the filter is damaged.**
- Switch off and unplug:
 - before fitting or removing parts
 - before cleaning
 - after use.
- Never use a damaged attachment. Get it checked or repaired: see 'service and customer care'.
- Only use the pusher supplied. Never put your fingers in the feed tube. Unplug and remove the lid before unblocking the feed tube.
- Before removing the lid, switch off, wait for the filter to stop and remove the whole attachment from the outlet of the Kitchen Machine.
- Do not over fill the feed tube or use excessive force to push the food down the feed tube – you could damage your attachment.
- Do not process frozen fruit or vegetables. Allow to defrost before processing.
- Do not process dried or hard ingredients such as grains, fruit with hard seeds or ice as they may damage the attachment.
- Do not touch moving parts.
- Never leave the attachment switched on unattended.
- Never use an unauthorised attachment.
- Misuse of your attachment can result in injury.
- Only use the appliance for its intended domestic use. Kenwood will not accept any liability if the appliance is subject to improper use, or failure to comply with these instructions.
- Refer to your main Kitchen Machine instruction book for additional safety warnings.


- This appliance conforms to EC Regulation 1935/2004 on materials and articles intended to come into contact with food.

This attachment features the Twist Connection System  and is designed to fit directly on the latest generation Kenwood Chef models (identified as KVC, KVL and KCC series).

This attachment can also fit KMix kitchen machines featuring a slow speed attachment outlet (KMX series).

To check that this attachment is compatible with your kitchen machine you will need to ensure both components feature the Twist Connection System



If your kitchen machine features the Bar Connection System  you will also need an adaptor before operation is possible. The reference code for the adaptor is KAT001ME. For more information and how to order the adaptor visit www.kenwoodworld.com/twist.

before using for the first time

Wash the parts: see 'care and cleaning'.

key





- ① pusher
- ② lid with hopper
- ③ scroll
- ④ filter basket
- ⑤ rotating wiper holder
- ⑥ juicing bowl
- ⑦ pulp spout
- ⑧ juice spout
- ⑨ anti-drip stopper
- ⑩ drive shaft
- ⑪ drive unit
- ⑫ juice jug
- ⑬ cleaning brush
- ⑭ spanner

to assemble your juicer (A → H)

A+B

Fit the pulp stopper (A) into the opening on the underside of the juicing bowl ⑥ and push in until secure (B).



C+D

Fit the juicing bowl ⑥ to the drive unit by aligning the  on the side of the bowl with the  on the drive unit (C). To lock the bowl on turn it clockwise until the  line up with the  on the drive unit (D).

E

Place the filter basket ④ into the wiper holder ⑤ (E).





F

Lower the wiper holder assembly into the juicing bowl and align the  with the  on the top of the drive unit (F). Ensure that the filter basket is locked into place.

G

Place the scroll ③ into the filter basket and push down to secure (G). **Note: the lid cannot be fitted if the scroll is not fully pushed down.**

H

Fit the lid ② onto the unit ensuring the  lines up with the  on top of the drive unit (H). Then turn the lid clockwise until it clicks into place and the  lines up with the  on top of the drive unit (H). Place the food pusher ① into the feed tube.

Obsah je uzamčen

Dokončete, prosím, proces objednávky.

Následně budete mít přístup k celému dokumentu.



Proč je dokument uzamčen? Nahněvat Vás rozhodně nechceme. Jsou k tomu dva hlavní důvody:

- 1) Vytvořit a udržovat obsáhlou databázi návodů stojí nejen spoustu úsilí a času, ale i finanční prostředky. Dělali byste to Vy zadarmo? Ne*. Zakoupením této služby obdržíte úplný návod a podpoříte provoz a rozvoj našich stránek. Třeba se Vám to bude ještě někdy hodit.

**) Možná zpočátku ano. Ale vězte, že dotovat to dlouhodobě nelze. A rozhodně na tom nezbohatneme.*

- 2) Pak jsou tady „roboti“, kteří se přiživují na naší práci a „vysávají“ výsledky našeho úsilí pro svůj prospěch. Tímto krokem se jim to snažíme překazit.

A pokud nemáte zájem, respektujeme to. Urgujte svého prodejce. A když neuspějete, rádi Vás uvidíme!