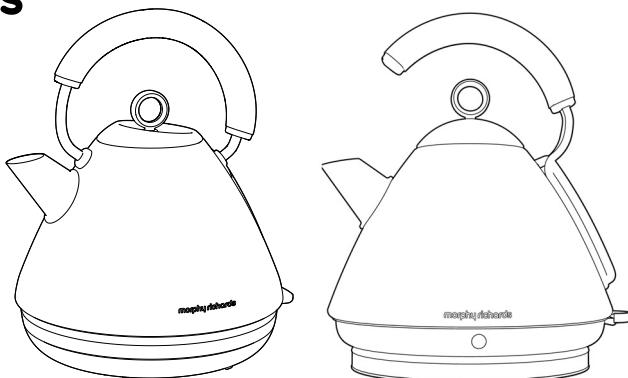


morphy richards®



Traditional kettle

Please read and keep these instructions

GB

Bouilloire traditionnelle

Merci de bien vouloir lire et conserver ces instructions

F

Wasserkocher traditionell

Lesen Sie diese Bedienungsanleitung, und heben Sie sie gut auf

D

Tetera tradicional

Lea estas instrucciones atentamente y guárdelas

E

Traditionele waterkoker

Lees deze instructies en bewaar ze op een veilige plaats

NL

Jarro eléctrico tradicional

Leia e guarde estas instruções

P

Bollitore tradizionale

Leggere e conservare le presenti istruzioni

I

Almindelig kedel

Læs og gem venligst denne vejledning

DK

Vanlig vattenkokare

Läs och behåll dessa anvisningar

S

Czajnik tradycyjny

Prosimy zapoznać się z niniejszą instrukcją obsługi i zachować ją do użytku w przyszłości

PL

Традиционный чайник

Пожалуйста, прочтите и сохраните данное руководство

RU

Tradiční konvice

Přečtěte si tyto pokyny a uschovejte je

CZ

Tradičná kanvica

Prečítajte si tieto pokyny a dodržiavajte ich

SLK

Geleneksel su ısıtıcı

Lütfen bu talimatları okuyun ve saklayın

TR



www.morphyrichards.com



Health and Safety

The use of any electrical appliance requires the following common sense safety rules. Please read these instructions carefully before using the product.

Please read these instructions carefully before using the product.

- This appliance can be used by children aged from 8 years and above and persons with reduced physical, sensory or mental capabilities, or lack of experience and knowledge, if they have been given supervision or instruction concerning the use of the appliance in a safe way and understand the hazards involved.
- Children shall not play with the appliance.
- Cleaning and user maintenance shall not be made by children without supervision.
- Keep the appliance and its cord out of reach of children.

Location

- This appliance is intended to be used in household and similar applications such as: farm houses; by clients in hotels, motels and other residential type environments; bed and breakfast type environments. It is not suitable for use in staff kitchen areas in shops, offices and other working environments.
- Always locate your appliance away from the edge of the worktop.
- Ensure that the appliance is used on a firm, flat surface.
- Do not use the appliance outdoors or near water.
- **WARNING: Do not place the appliance onto a metal tray or metal surface whilst in use.**

Mains cable

- Do not let the mains cable hang over the edge of the worktop where a child could reach it.
- Do not let the mains cable run across an open space e.g. between a low socket and a table.
- Do not let the mains cable run across a cooker or other hot area which might damage the cable.
- The mains cable should reach from the socket to the base unit without straining the connections.
- If the mains cable is damaged, it must be replaced by the manufacturer, its service agent or similarly qualified person in order to avoid a hazard.

Personal safety

- **WARNING: To protect against fire, electric shock and personal injury do not immerse cord, plug and appliance in water or any other liquid.**
- Always keep the top of the cordless base dry, especially around the connection area, disconnect the power supply before drying. Allow to dry thoroughly before reconnection to the power supply.
- Do not fill above the MAX mark, otherwise boiling water may be ejected.

- Always pour hot water slowly and carefully without tipping the appliance too fast to prevent splashing and spillage.
- **WARNING: Do not open the lid whilst the water is boiling.**
- Do not hold the switch in the on position or tamper with the switch to fix it in the on position as this may cause damage to the switch-off mechanism.
- Unplug from the outlet before cleaning.
- Allow to cool before putting on or taking off parts and before cleaning.
- Do not move the kettle while switched on.

Other safety considerations

- The use of attachments or tools not recommended or sold by Morphy Richards, may cause fire, electric shock or injury.
- The kettle is only to be used with the stand provided.
- Do not use the appliance for any use other than to boil water.
- Do not place the appliance on or near a hot gas or electric burner or in a heated oven.
- The appliance must not be on the base unit when being filled with water.
- Unplug from the outlet when not in use.
- **WARNING: The appliance must not be immersed for cleaning.**
- **CAUTION:** To prevent damage to the appliance, do not use alkaline cleaning agents when cleaning. Use a soft cloth and detergent.

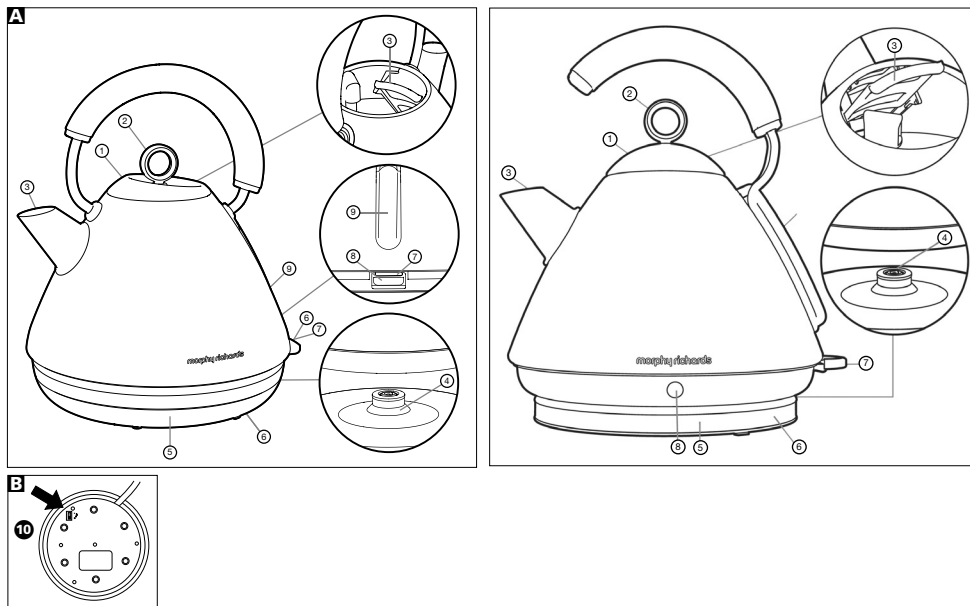
Electrical requirements

Check that the voltage on the rating plate of your appliance corresponds with your house electricity supply which must be A.C. (Alternating Current).

Should the fuse in the mains plug require changing, a 13 amp BS1362 fuse must be fitted.

WARNING: This appliance must be earthed.





GB

GB

Getting the best from your new kettle...

Empty the water out of the kettle after first boiling

To clean away any deposits that are left in the kettle after the manufacturing process.

Descale as appropriate for the hardness of the water in your area

It is important to descale as the performance of the kettle and auto switch-off will be impaired.

Safety first

Always pour water slowly and carefully to prevent the splashing of scalding water.

Fast boil kettles perform differently

If your kettle is a fast boil model, it may sound louder during boiling, and switch off suddenly with no after noise - this is normal.

Treating scalds

- Run cold water over the affected area immediately. Do not stop to remove clothing, get medical help quickly.

Features

- 1 Lid
- 2 Lid knob
- 3 Spout filter
- 4 360° connector
- 5 Cordless base unit
- 6 Cord storage
- 7 On/off switch
- 8 Power on neon
- 9 Water level indicator
- 10 Whistle on/off switch (Depends upon model)

Using

Filling the kettle

- 1 Wherever possible fill through the spout, as this helps to free the filter from limescale build-up.
- The integrated water level indicator allows you to easily see the amount of water in the kettle.
- Always ensure that the level of water in the kettle is filled to at least the minimum level shown on the water gauge. Should your kettle not have a water gauge, always ensure that the element is covered.
- Boil only as much water as you need as this saves electricity.
- 2 Place the kettle on the base unit, ensuring the kettle locates on to the 360° connector.
- The 360° connector allows the kettle to be located at any position. - ideal for left and right handed users and for convenient positioning on the worktop.
- 3 Plug in and switch on at the wall socket.
- 4 Switch the kettle on. The 'power on' neon will light up.
- 5 When the water boils the kettle will switch off automatically.
- If you are using the kettle for the first time, pour away the boiled water and refill.
- 6 Lift the kettle from the base unit by the handle ensuring you hold the kettle level.
- To re-boil, switch to ON again. If the kettle has just switched off wait a minute or so before switching it back on again.
- If you do not put in enough water, or switch on the kettle when it is empty, the safety cut-out will switch off the power automatically. If this happens, refill and wait a few minutes for the element to cool, then use as normal.

Obsah je uzamčen

Dokončete, prosím, proces objednávky.

Následně budete mít přístup k celému dokumentu.



Proč je dokument uzamčen? Nahněvat Vás rozhodně nechceme. Jsou k tomu dva hlavní důvody:

- 1) Vytvořit a udržovat obsáhlou databázi návodů stojí nejen spoustu úsilí a času, ale i finanční prostředky. Dělali byste to Vy zadarmo? Ne*. Zakoupením této služby obdržíte úplný návod a podpoříte provoz a rozvoj našich stránek. Třeba se Vám to bude ještě někdy hodit.

**) Možná zpočátku ano. Ale vězte, že dotovat to dlouhodobě nelze. A rozhodně na tom nezbohatneme.*

- 2) Pak jsou tady „roboti“, kteří se přiživují na naší práci a „vysávají“ výsledky našeho úsilí pro svůj prospěch. Tímto krokem se jim to snažíme překazit.

A pokud nemáte zájem, respektujeme to. Urgujte svého prodejce. A když neuspějete, rádi Vás uvidíme!