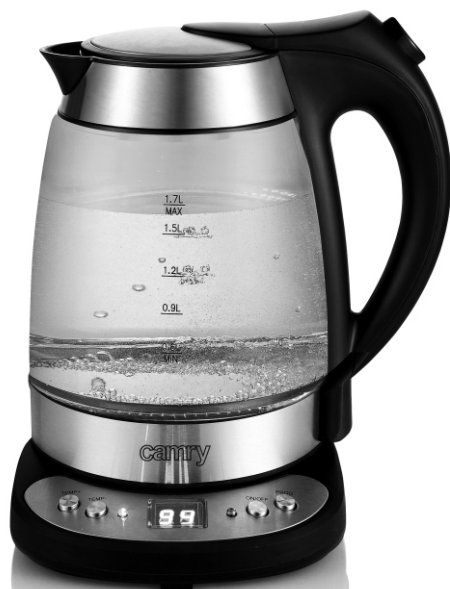


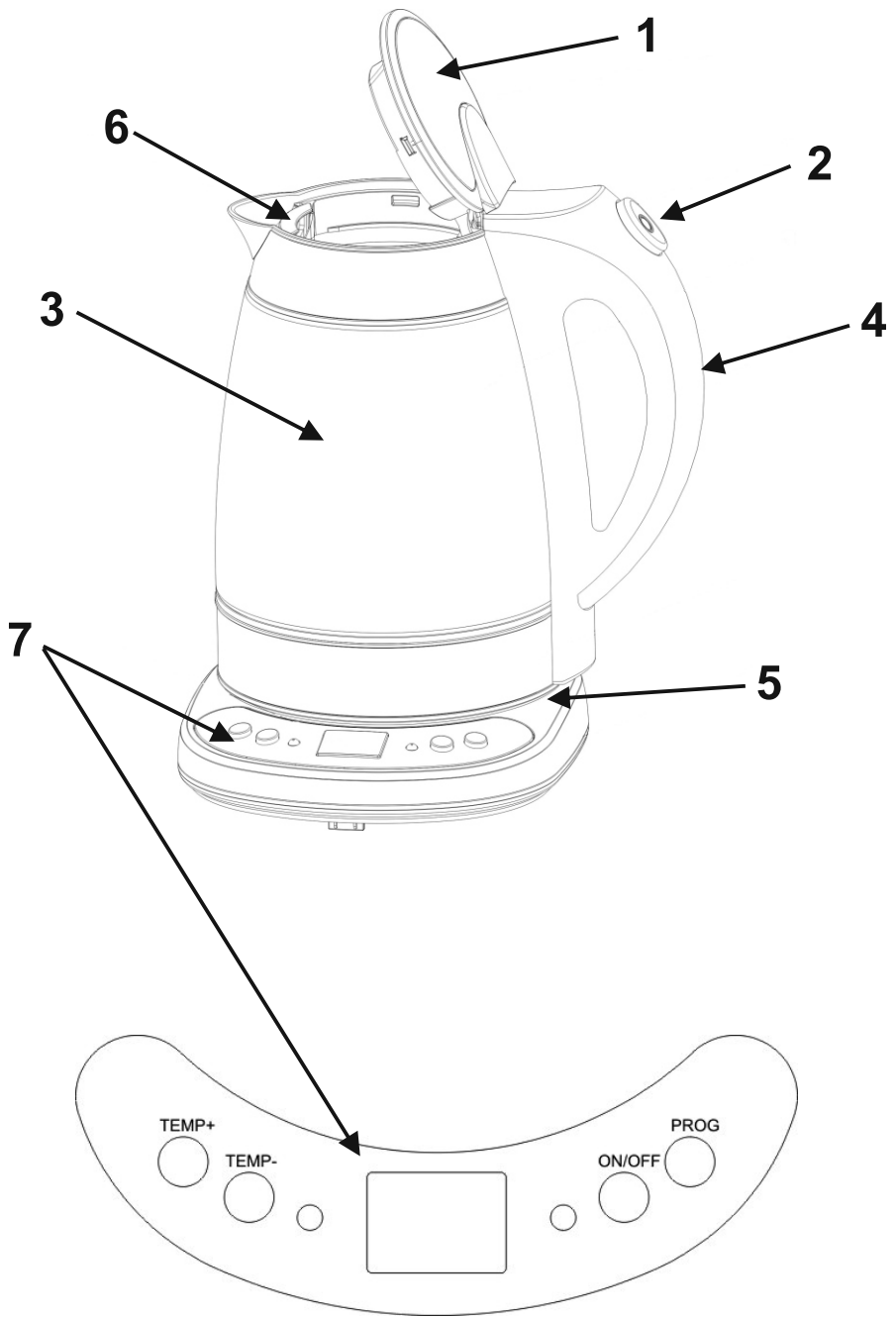
Camry



CR 1242

(GB) user manual
(F) mode d'emploi
(P) manual de serviço
(LV) lietošanas instrukcija
(RO) Instrucțiunea de deservire
(H) felhasználói kézikönyv
(GR) οδηγίες χρήσεως
(MK) упатство за корисникот
(SLO) navodila za uporabo
(SK) návod na obsluhu
(HR) upute za uporabu

(D) bedienungsanweisung
(E) manual de uso
(LT) naudojimo instrukcija
(EST) kasutusjuhend
(BIH) upute za rad
(CZ) návod k obsluze
(RUS) инструкция обслуживания
(NL) handleiding
(FIN) käyttöopas
(I) istruzioni per l'uso
(PL) instrukcja obsługi



**SAFETY CONDITIONS IMPORTANT INSTRUCTIONS ON SAFETY OF USE PLEASE
READ CAREFULLY AND KEEP FOR FUTURE REFERENCE**

The warranty conditions are different, if the device is used for commercial purpose."

1. Before using the product please read carefully and always comply with the following instructions. The manufacturer is not responsible for any damages due to any misuse.
2. The product is only to be used indoors. Do not use the product for any purpose that is not compatible with its application.
3. The applicable voltage is 230V, ~50Hz. For safety reasons it is not appropriate to connect multiple devices to one power outlet.
4. Please be cautious when using around children. Do not let the children to play with the product. Do not let children or people who do not know the device to use it without supervision.
5. **WARNING:** This device may be used by children over 8 years of age and persons with reduced physical, sensory or mental capabilities, or persons without experience or knowledge of the device, only under the supervision of a person responsible for their safety, or if they were instructed on the safe use of the device and are aware of the dangers associated with its operation. Children should not play with the device. Cleaning and maintenance of the device should not be carried out by children, unless they are over 8 years of age and these activities are carried out under supervision.
6. After you are finished using the product always remember to gently remove the plug from the power outlet holding the outlet with your hand. Never pull the power cable!!!
7. Never put the power cable, the plug or the whole device into the water. Never expose the product to the atmospheric conditions such as direct sun light or rain, etc.. Never use the product in humid conditions.
8. Periodically check the power cable condition. If the power cable is damaged the product should be turned to a professional service location to be replaced in order to avoid hazardous situations.
9. Never use the product with a damaged power cable or if it was dropped or damaged in any other way or if it does not work properly. Do not try to repair the defected product yourself because it can lead to electric shock. Always turn the damaged device to a professional service location in order to repair it. All the repairs can be done only by authorized service professionals. The repair that was done incorrectly can cause hazardous situations for the user.
10. Never put the product on or close to the hot or warm surfaces or the kitchen appliances like the electric oven or gas burner.
11. Never use the product close to combustibles.
12. Do not let cord hang over edge of counter or touch hot surfaces.
13. Never leave the product connected to the power source without supervision. Even when use is interrupted for a short time, turn it off from the network, unplug the power.
14. In order to provide additional protection, it is recommended to install residue current device (RCD) in the power circuit, with residual current rating not more than 30 mA. Contact professional electrician in this matter.
15. If the kettle is overfilled it may spurt boiling water.
16. **WARNING:** Do not open the lid if the water is boiling.
17. The kettle must only be used with the provided base.
18. **CAUTION:** Before lifting the kettle from the base make sure that the kettle is turned off.
19. This equipment is intended for domestic and similar use, such as: staff kitchens in stores, offices and other work environments, utility rooms, by customers in hotels, motels and other residential environments of this type, in bedrooms and dining rooms.
20. Always use caution when boiling water in the kettle. Do not touch the housing of kettle or

Obsah je uzamčen

Dokončete, prosím, proces objednávky.

Následně budete mít přístup k celému dokumentu.



Proč je dokument uzamčen? Nahněvat Vás rozhodně nechceme. Jsou k tomu dva hlavní důvody:

- 1) Vytvořit a udržovat obsáhlou databázi návodů stojí nejen spoustu úsilí a času, ale i finanční prostředky. Dělali byste to Vy zadarmo? Ne*. Zakoupením této služby obdržíte úplný návod a podpoříte provoz a rozvoj našich stránek. Třeba se Vám to bude ještě někdy hodit.

**) Možná zpočátku ano. Ale vězte, že dotovat to dlouhodobě nelze. A rozhodně na tom nezbohatneme.*

- 2) Pak jsou tady „roboti“, kteří se přiživují na naší práci a „vysávají“ výsledky našeho úsilí pro svůj prospěch. Tímto krokem se jim to snažíme překazit.

A pokud nemáte zájem, respektujeme to. Urgujte svého prodejce. A když neuspějete, rádi Vás uvidíme!