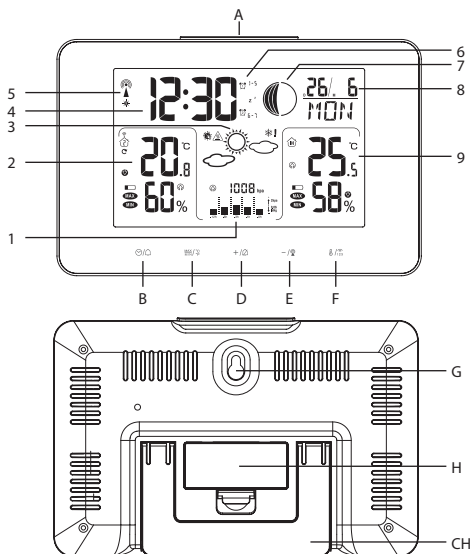


E8825

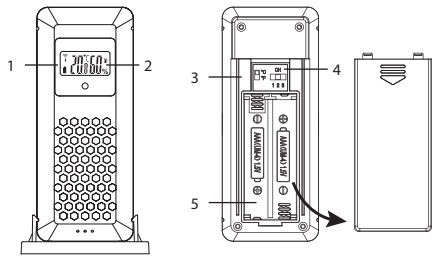
GB	Wireless Weather Station
CZ	Bezdrátová meteostanice
SK	Bezdrôtová meteostanica
PL	Bezprzewodowa stacja meteorologiczna
HU	Vezeték nélküli meteorológiai állomás
SI	Brezžična meteorološka postaja
RS HR BA ME	Bežična meteorološka stanica
DE	Funk-Wetterstation
UA	Бездротова метеостанція
RO	Stație meteo fără fir
LT	Belaidė meteorologinė stotelė
LV	Bezvadu meteoroloģiskā stacija
EE	Juhtmeta ilmajaam
BG	Безжична метеорологична станция



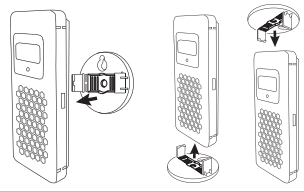
www.emos.eu



1



2



3

Safety Instructions and Warnings



Read the user manual before using the device



Follow the safety instructions stated in the manual

The product is designed to provide trouble-free service for many years if used properly.

- Read the manual carefully before using this product.
- Do not expose the product to direct sunlight, extreme cold and humidity, and sudden changes in temperature.
- Do not place the product in locations prone to vibration and shocks – these may cause damage.
- Do not expose the product to excessive force, impacts, dust, high temperatures or humidity - these may cause malfunction, shorter battery life, damage to batteries and deformation of plastic parts.
- Do not expose the product to rain or moisture if it is not designed for outdoor use.
- Do not place any open flame sources on the product, e.g. a lit candle, etc.
- Do not place the product in places with inadequate air flow.
- Do not insert any objects in the product vents.
- Do not tamper with the internal electric circuits of the product – doing so may damage the product and will automatically void the warranty.
- To clean the product, use a slightly moistened soft cloth. Do not use solvents or cleaning agents - they could scratch the plastic parts and cause corrosion of the electric circuits.
- Do not submerge the product in water or other liquids or expose it to dripping or splashing water.
- If the product becomes damaged or defective, do not perform any repairs yourself; turn it in for repair at the store where you bought it.
- This device is not intended for use by persons (including children) whose physical, sensory or mental disability or whose lack of experience or knowledge prevents them from using it safely. Such persons should be instructed as to how to use the device and should be supervised by a person responsible for their safety.

Specifications:

radio controlled clock

indoor temperature: 0 °C to +50 °C

outdoor temperature: -20 °C to +60 °C

temperature resolution: 0.1 °C

temperature measurement accuracy: ±2 °C

indoor and outdoor humidity: 20 to 95 % RH

humidity resolution: 1 % RH

humidity measurement accuracy: ±5 % RH

bar. pressure measurement range: 900 hPa to 1,100 hPa

wireless sensor: transmission frequency 433 MHz, 3 mW e.r.p. max.

radio signal range: up to 60 m in an open area

number of sensors for connection: max. 3

power supply:

main station: 2× 1.5 V AAA batteries (not included)

sensor: 2× 1.5 V AAA batteries (not included)

dimensions and weight without batteries:

main station: 19 × 186 × 120 mm, 236 g

sensor: 17 × 40 × 97 mm, 43 g

pack contents: 1× weather station, 1× wireless sensor

Obsah je uzamčen

Dokončete, prosím, proces objednávky.

Následně budete mít přístup k celému dokumentu.



Proč je dokument uzamčen? Nahněvat Vás rozhodně nechceme. Jsou k tomu dva hlavní důvody:

- 1) Vytvořit a udržovat obsáhlou databázi návodů stojí nejen spoustu úsilí a času, ale i finanční prostředky. Dělali byste to Vy zadarmo? Ne*. Zakoupením této služby obdržíte úplný návod a podpoříte provoz a rozvoj našich stránek. Třeba se Vám to bude ještě někdy hodit.

**) Možná zpočátku ano. Ale vězte, že dotovat to dlouhodobě nelze. A rozhodně na tom nezbohatneme.*

- 2) Pak jsou tady „roboti“, kteří se přiživují na naší práci a „vysávají“ výsledky našeho úsilí pro svůj prospěch. Tímto krokem se jim to snažíme překazit.

A pokud nemáte zájem, respektujeme to. Urgujte svého prodejce. A když neuspějete, rádi Vás uvidíme!