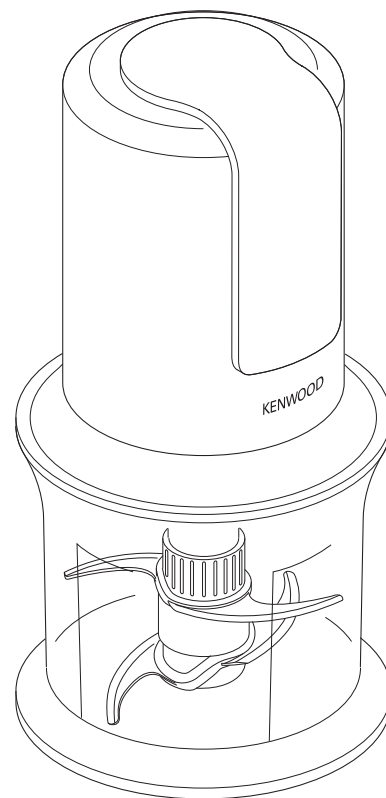


KENWOOD



CH580 series

English	2 - 7
Nederlands	8 - 13
Français	14 - 19
Deutsch	20 - 25
Italiano	26 - 31
Português	32 - 37
Español	38 - 43
Dansk	44 - 49
Svenska	50 - 55
Norsk	56 - 61
Suomi	62 - 67
Türkçe	68 - 73
Česky	74 - 79
Magyar	80 - 85
Polski	86 - 92
Русский	93 - 100
Ελληνικά	101 - 106
Slovenčina	107 - 112
Українська	113 - 119
عربي	١٢٠ - ١٢٥

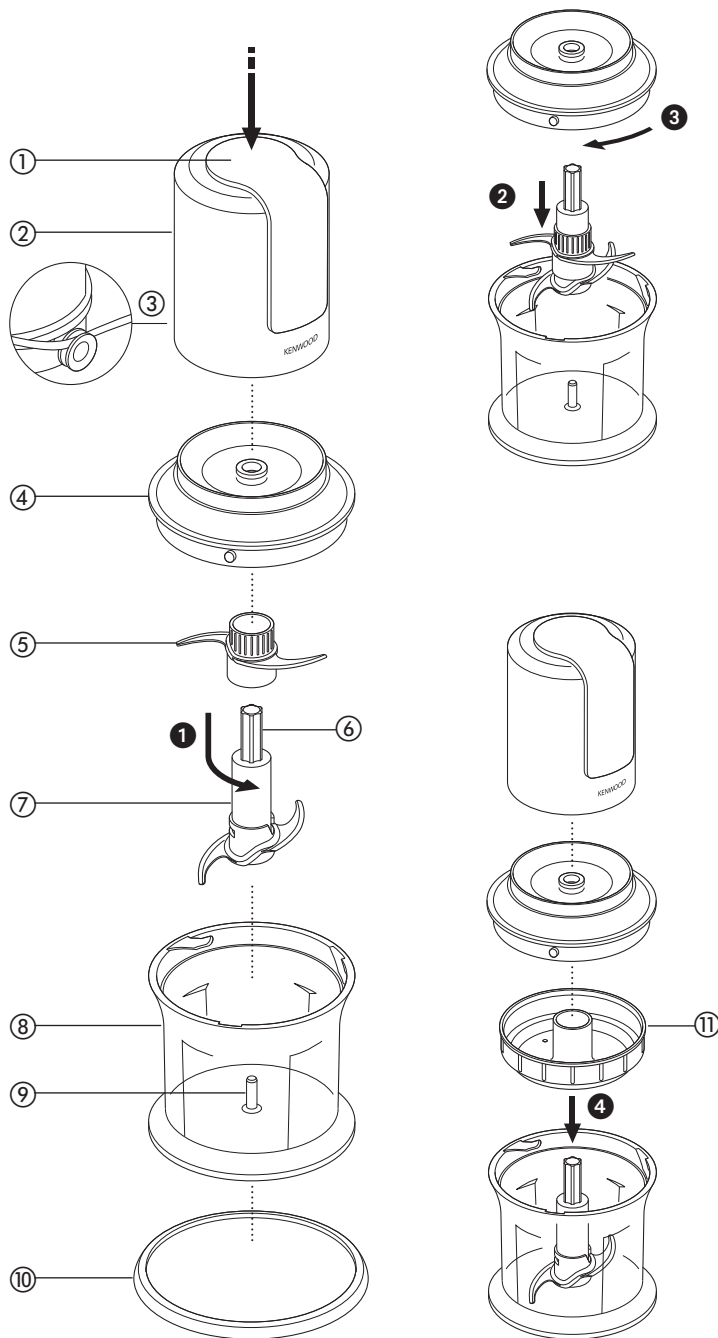


Head Office Address:
Kenwood Limited, New Lane, Havant, Hampshire PO9 2NH, UK
www.kenwoodworld.com

Made in China

40240/2





before using your Kenwood appliance

- Read these instructions carefully and retain for future reference.
- Remove all packaging and any labels including the plastic blade covers from the knife blade. **Take care the blades are very sharp.** These covers should be discarded as they are to protect the blade during manufacture and transit only.

safety

- The blades are very sharp, handle with care. **Always hold by the finger grip ⑥ at the top, away from the cutting edge, both when handling and cleaning.**
- Switch off and unplug:
 - before fitting or removing parts
 - after use
 - before cleaning.
- Always wait for the blades to completely stop before removing the power unit from the bowl.
- Always remove the knife blade(s) before emptying or pouring contents from the bowl.
- Never use a damaged appliance. Get it checked or repaired: see 'service and customer care'.
- Never let the power unit, cord or plug get wet.
- Don't let excess cord hang over the edge of a table or worktop or touch hot surfaces.
- Never leave the appliance on unattended.
- Misuse of your food chopper can result in injury.
- Never use an unauthorised attachment.

- This appliance is not intended for use by persons (including children) with reduced physical, sensory or mental capabilities, or lack of experience and knowledge, unless they have been given supervision or instruction concerning use of the appliance by a person responsible for their safety.
- Children should be supervised to ensure that they do not play with the appliance.
- Only use the appliance for its intended domestic use. Kenwood will not accept any liability if the appliance is subject to improper use, or failure to comply with these instructions.

before plugging in

- Make sure your electricity supply is the same as the one shown on the underside of the appliance.
- This appliance conforms to EC directive 2004/108/EC on Electromagnetic Compatibility and EC regulation no. 1935/2004 of 27/10/2004 on materials intended for contact with food.

before using for the first time

Wash the parts: see 'cleaning'.

key

- ① speed selector
- ② power unit
- ③ cord grip
- ④ cover
- ⑤ upper knife blade
- ⑥ finger grip
- ⑦ lower knife blade
- ⑧ bowl
- ⑨ locating pin
- ⑩ bowl base
- ⑪ mayonnaise dripper (if supplied)

to use your food chopper

The knife blade unit comes in 2 parts, a lower and an upper blade.

- For coarser chopping use the lower blade on its own.
- For finer chopping or pureeing use both blades together. This will also give a faster result. To use both blades fit the upper blade onto the lower blade and turn anti-clockwise to locate in place ①. Take care as the blades are sharp.

Note: After processing food, the upper blade may disengage from the lower blade. This is normal as the blade assembly is designed to be loose fitting to ease separation after use.

- 1 Put the bowl base on the bottom of the bowl. (This stops the bowl sliding on the work top).
- 2 Place the unit on a clean, flat surface.
- 3 Fit the desired knife blade assembly into the bowl over the locating pin ②.
- 4 Cut the food into suitably sized pieces and place in the bowl. Larger pieces of food should be cut into approximately 1 to 2 cm pieces.
- 5 Fit the cover and turn clockwise to lock into place ③.
- 6 Place the power unit onto the cover.
- 7 Connect to the power supply and press down on the speed selector to select the desired speed. When operating the power unit, hold it firmly on the cover and bowl.
 - Press the speed selector lightly to obtain speed 1.
 - Press the speed selector firmly to obtain speed 2.
 - Alternatively the speed selector may be pressed down for short periods of time to produce a pulsing action. This can be used to avoid over processing food.
- 8 Operate the food chopper until the desired result is achieved.

- 9 Switch off and unplug after use.
- 10 Reverse the above procedure to dismantle the unit.

important

- If preparing food for babies or young children, always check that the ingredients are thoroughly blended before feeding.
- Do not run the food chopper continuously for longer than 10 seconds. Leave to cool for 1 minute in between each 10 second operation.
- Do not operate the food chopper if the bowl is empty.
- Never operate the food chopper with the bowl filled with liquid.
- Always allow hot food to cool before processing.

hints

- If the chopper labours, remove some of the mixture and continue processing in several batches, otherwise you may strain the motor.
- Remember that chopping hard foods such as coffee beans, spices, chocolate or ice will wear the knife blades faster.
- Beware of over processing some ingredients. Stop and check the consistency frequently.
- Various spices such as cloves, dill and cumin seeds can have an adverse effect on the plastic of your food chopper.
- To ensure even processing, stop and scrape down any food from the side of the bowl with a plastic spatula.
- The best results are obtained by chopping small quantities at one time.
- Cut larger pieces of food into 1-2cm pieces. A large load or large pieces may cause uneven results.
- Before chopping nuts, herbs, breadcrumbs etc, ensure that both the food and the blade, bowl and cover are thoroughly dry.

Obsah je uzamčen

Dokončete, prosím, proces objednávky.

Následně budete mít přístup k celému dokumentu.



Proč je dokument uzamčen? Nahněvat Vás rozhodně nechceme. Jsou k tomu dva hlavní důvody:

- 1) Vytvořit a udržovat obsáhlou databázi návodů stojí nejen spoustu úsilí a času, ale i finanční prostředky. Dělali byste to Vy zadarmo? Ne*. Zakoupením této služby obdržíte úplný návod a podpoříte provoz a rozvoj našich stránek. Třeba se Vám to bude ještě někdy hodit.

**) Možná zpočátku ano. Ale vězte, že dotovat to dlouhodobě nelze. A rozhodně na tom nezbohatneme.*

- 2) Pak jsou tady „roboti“, kteří se přiživují na naší práci a „vysávají“ výsledky našeho úsilí pro svůj prospěch. Tímto krokem se jim to snažíme překazit.

A pokud nemáte zájem, respektujeme to. Urgujte svého prodejce. A když neuspějete, rádi Vás uvidíme!