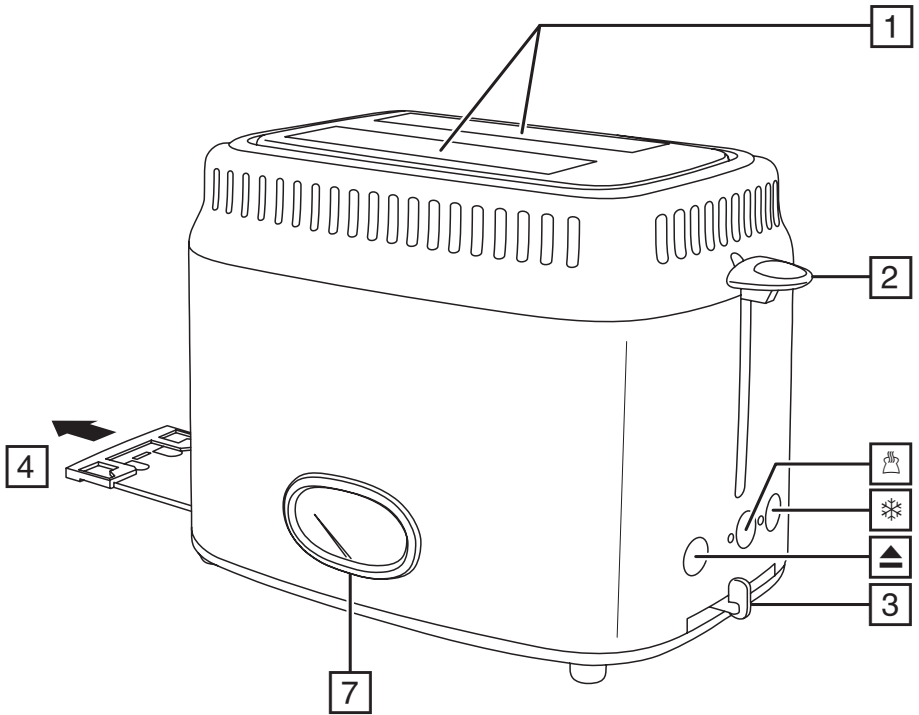
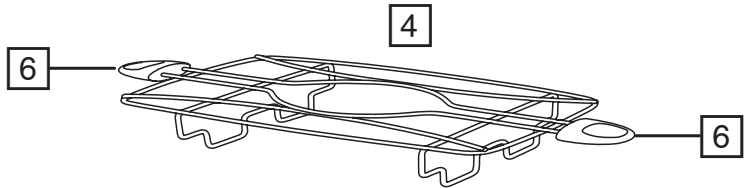




# Russell Hobbs



instructions	3	pokyny (Čeština)	27
Bedienungsanleitung	5	pokyny (Slovenčina)	29
mode d'emploi	7	instrukcja	31
instructies	9	upute	33
istruzioni per l'uso	11	navodila	35
instrucciones	13	οδηγίες	37
instruções	15	utasítások	39
brugsanvisning	17	talimatlar	41
bruksanvisning (Svenska)	19	instrucțiuni	43
bruksanvisning (Norsk)	21	инструкции (Български)	45
käyttöohjeet	23	تعليمات الاستخدام	47
инструкции (Русский)	25		



Read the instructions, keep them safe, pass them on if you pass the appliance on. Remove all packaging before use.

## IMPORTANT SAFEGUARDS

Follow basic safety precautions, including:

This appliance can be used by children aged from 8 years and above and persons with reduced physical, sensory or mental capabilities or lack of experience and knowledge if they have been supervised/instructed and understand the hazards involved. Children shall not play with the appliance. Cleaning and user maintenance shall not be done by children unless they are older than 8 and supervised. Keep the appliance and cable out of reach of children under 8 years.

Do not connect the appliance via a timer or remote control system.

Bread may burn. Don't use the appliance near or below curtains or other combustible materials and watch it while it's hot.

⚠ The surfaces of the appliance will get hot.

Remove and empty the crumb tray. Wipe with a damp cloth, dry, then replace it in the toaster.

If the cable is damaged, it must be replaced by the manufacturer, its service agent, or someone similarly qualified, to avoid hazard.

🚫 Do not use this appliance near bathtubs, showers, basins or other vessels containing water.

- When using a single toasting slot, don't let anything get into the other slot, as both slots will be heated when the lever is lowered.
- If bread gets jammed, unplug the toaster, let it cool, and carefully remove the bread.
- Don't toast buttered items they may catch fire.
- Don't use torn, curled, or misshapen bread because you may jam the toaster.
- Don't use the appliance for any purpose other than those described in these instructions.
- Don't operate the appliance if it's damaged or malfunctions.

## HOUSEHOLD USE ONLY

### DIAGRAMS

- |                     |                        |
|---------------------|------------------------|
| 1. toasting slots   | 5. bun warmer          |
| 2. lever            | 6. handle              |
| 3. browning control | 7. Toasting time gauge |
| 4. crumb tray       |                        |

### BEFORE USING FOR THE FIRST TIME

Set the browning level to maximum (6). Operate the appliance empty, to cure the new elements. This may smell a bit, but it's nothing to worry about. Ensure the room is well ventilated.

### TOASTING BREAD

1. Sit the toaster upright on a firm, level, heat-resistant surface.
2. Put the plug into the power socket.
3. Turn the browning control to the required setting (1 = light, 6 = dark).
4. Put bread into the toasting slots (maximum thickness 25mm).
5. Press the lever down fully. It won't lock down unless the toaster is connected to the electricity supply.
6. The toasting time gauge will show the toasting time and start to count down.
7. When it reaches **0**, the toast will pop up.
8. To stop toasting, press the ▲ button.

# Obsah je uzamčen

**Dokončete, prosím, proces objednávky.**

**Následně budete mít přístup k celému dokumentu.**



**Proč je dokument uzamčen? Nahněvat Vás rozhodně nechceme. Jsou k tomu dva hlavní důvody:**

- 1) Vytvořit a udržovat obsáhlou databázi návodů stojí nejen spoustu úsilí a času, ale i finanční prostředky. Dělali byste to Vy zadarmo? Ne\*. Zakoupením této služby obdržíte úplný návod a podpoříte provoz a rozvoj našich stránek. Třeba se Vám to bude ještě někdy hodit.

*\*) Možná zpočátku ano. Ale vězte, že dotovat to dlouhodobě nelze. A rozhodně na tom nezbohatneme.*

- 2) Pak jsou tady „roboti“, kteří se přiživují na naší práci a „vysávají“ výsledky našeho úsilí pro svůj prospěch. Tímto krokem se jim to snažíme překazit.

A pokud nemáte zájem, respektujeme to. Urgujte svého prodejce. A když neuspějete, rádi Vás uvidíme!