



# Russell Hobbs



GB

DE

FR

NL

IT

ES

PT

DK

SE

NO

FI

RU

CZ

SK

PL

HR

SI

GR

HU

TR

RO

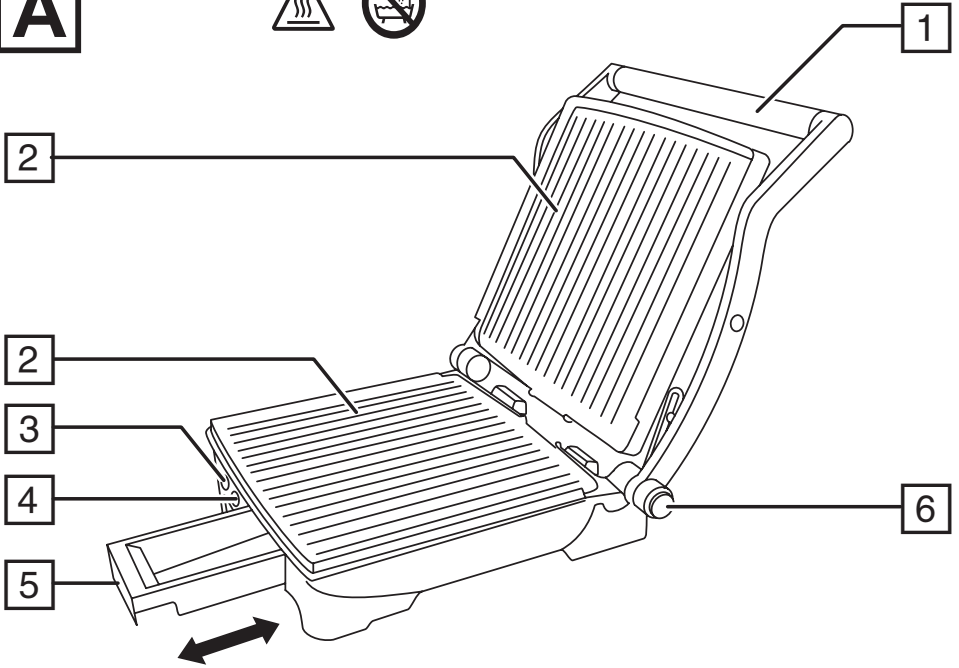
BG

AE

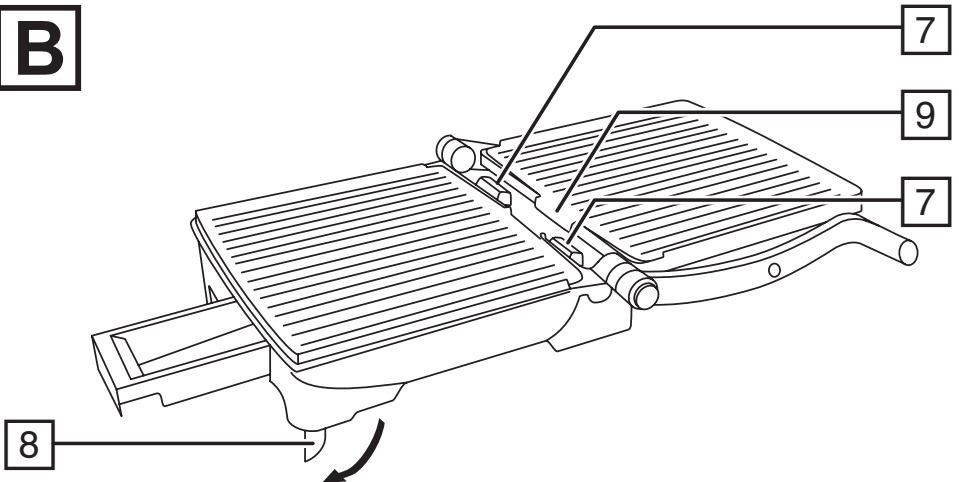
17888-56

 [www.russellhobbs.com](http://www.russellhobbs.com)

**A**



**B**



Read the instructions, keep them safe, pass them on if you pass the grill on.  
Remove all packaging before use.



---

## IMPORTANT SAFEGUARDS

Follow basic safety precautions, including:

This appliance can be used by children aged from 8 years and above and persons with reduced physical, sensory or mental capabilities or lack of experience and knowledge if they have been given supervision or instruction concerning use of the appliance in a safe way and understand the hazards involved. Children shall not play with the appliance. Cleaning and user maintenance shall not be made by children unless they are older than 8 and supervised.

Keep the appliance and cable out of reach of children under 8.

Don't connect the appliance via a timer or remote control system.

**⚠️ If the cable is damaged, return the appliance, to avoid hazard.**

- ⊘ Do not use this appliance near bathtubs, showers, basins or other vessels containing water.
- Don't use the appliance near or below combustible materials (e.g. curtains).
- Don't wrap food in plastic film, polythene bags, or metal foil. This will damage your grill and you may cause a fire hazard.
- Cook meat, poultry, and derivatives (mince, burgers, etc.) till the juices run clear. Cook fish till the flesh is opaque throughout.
- Don't use your grill for any purpose other than cooking food.
- Don't use your grill if it is damaged or malfunctions.

## HOUSEHOLD USE ONLY

---

## PARTS

- |                             |                   |
|-----------------------------|-------------------|
| A. Grill/panini mode        | 5. Drip tray      |
| B. Griddle/barbecue mode    | 6. Release button |
| 1. Handle                   | 7. Stabilisers    |
| 2. Grill plates             | 8. Foot           |
| 3. Power light (red)        | 9. Spillways      |
| 4. Thermostat light (green) |                   |

---

## BEFORE USING FOR THE FIRST TIME

Wipe the grill plates with a damp cloth.

---

## USING YOUR GRILL

- Check that the drip tray is fully pushed in – the rear should sit beneath both spillways.
- 1. Put the plug into the power socket.
- 2. The power light will come on as long as the appliance is connected to the electricity supply.
- 3. The thermostat light will come on when the appliance reaches working temperature.
- 4. It will then cycle on and off as the thermostat operates to maintain the temperature.
- 5. When the thermostat light comes on, open the grill.
- 6. Lay the food on the bottom grill plate with a spatula or tongs, not fingers.

# Obsah je uzamčen

**Dokončete, prosím, proces objednávky.**

**Následně budete mít přístup k celému dokumentu.**



**Proč je dokument uzamčen? Nahněvat Vás rozhodně nechceme. Jsou k tomu dva hlavní důvody:**

- 1) Vytvořit a udržovat obsáhlou databázi návodů stojí nejen spoustu úsilí a času, ale i finanční prostředky. Dělali byste to Vy zadarmo? Ne\*. Zakoupením této služby obdržíte úplný návod a podpoříte provoz a rozvoj našich stránek. Třeba se Vám to bude ještě někdy hodit.

*\*) Možná zpočátku ano. Ale vězte, že dotovat to dlouhodobě nelze. A rozhodně na tom nezbohatneme.*

- 2) Pak jsou tady „roboti“, kteří se přiživují na naší práci a „vysávají“ výsledky našeho úsilí pro svůj prospěch. Tímto krokem se jim to snažíme překazit.

A pokud nemáte zájem, respektujeme to. Urgujte svého prodejce. A když neuspějete, rádi Vás uvidíme!