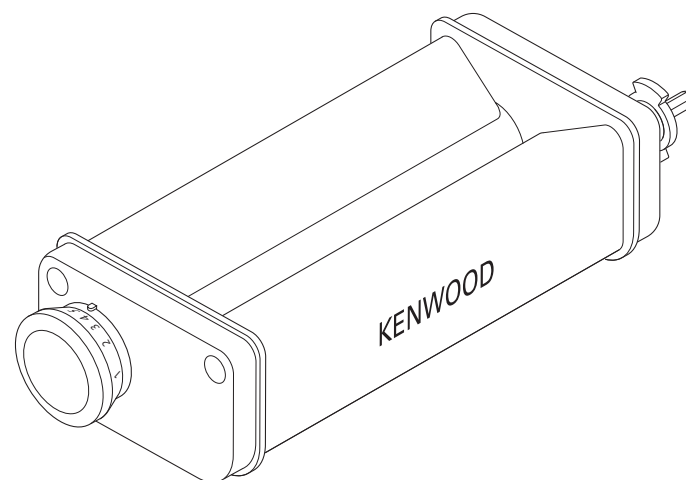


KENWOOD

KAX980ME, KAX981ME,
KAX982ME, KAX983ME,
KAX984ME

instructions
istruzioni
instrucciones
Bedienungsanleitungen
gebruiksaanwijzing
Инструкции
Juhised
Instrukcijos
Norādījumi



English	2 - 5
Nederlands	6 - 9
Français	10 - 13
Deutsch	14 - 17
Italiano	18 - 21
Português	22 - 25
Español	26 - 29
Dansk	30 - 33
Svenska	34 - 37
Norsk	38 - 41
Suomi	42 - 45
Türkçe	46 - 49
Česky	50 - 53
Magyar	54 - 57
Polski	58 - 61
Русский	62 - 65
Ελληνικά	66 - 69
Slovenčina	70 - 73
Українська	74 - 77
Eesti	78 - 81
Lietuvių	82 - 85
Latviešu	86 - 89
عربي	۹۰ - ۹۳



HEAD OFFICE: Kenwood Limited, 1-3 Kenwood Business Park, New Lane, Havant, Hampshire PO9 2NH

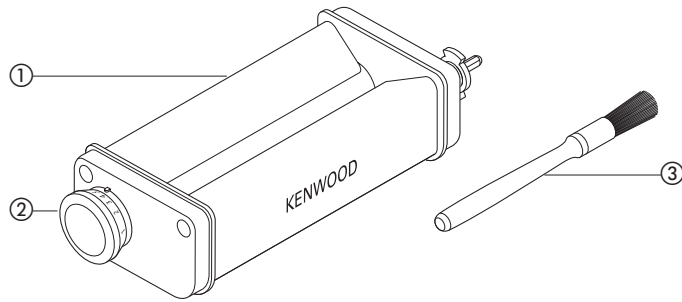
kenwoodworld.com

KENWOOD
CREATE MORE

© Kenwood Ltd 2017

136794/1

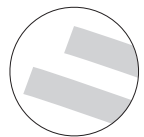
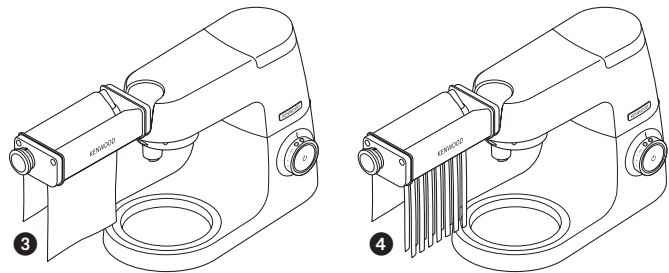
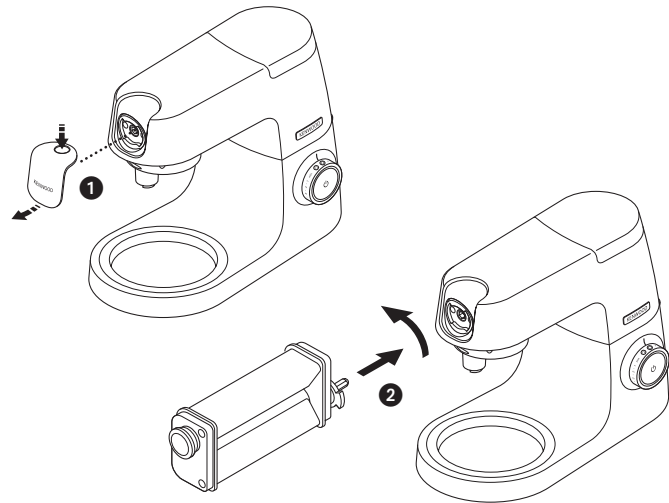
English



safety

- Read these instructions carefully and retain for future reference.
- Remove all packaging and any labels.
- Switch off and unplug:
 - before fitting or removing parts;
 - when not in use;
 - before cleaning.
- Never leave the appliance unattended when it is operating.
- Keep your fingers away from moving parts and the openings on the attachment.
- Never insert metal or sharp objects between the rollers.
- Never use a damaged attachment and/or appliance.
- Always ensure loose articles and clothing are secured before using this attachment.
- Misuse of your attachment can result in injury.

- Refer to your main kitchen machine instruction book for additional safety warnings.



KAX981ME
Fettuccini (6.5mm)



KAX982ME
Taglionini (1.5mm)




KAX983ME
Trenette (3.5mm)





KAX984ME
Spaghetti (2mm)

- This appliance conforms to EC Regulation 1935/2004 on materials and articles intended to come into contact with food.

This attachment features the Twist Connection System  and is designed to fit directly on the latest generation Kenwood Chef models (identified as KVC, KVL and KCC series).

This attachment can also fit KMix kitchen machines featuring a slow speed attachment outlet (KMX series).

To check that this attachment is compatible with your kitchen machine you will need to ensure both components feature the Twist Connection System .

If your kitchen machine features the Bar Connection System  you will also need an adaptor before operation is possible. The reference code for the adaptor is KAT001ME. For more information and how to order the adaptor visit www.kenwoodworld.com/twist.



before using for the first time

- Wipe clean with a damp cloth. Do not immerse in water.


key

- ① flat pasta attachment
- ② adjustable thickness knob
- ③ cleaning brush

to assemble

- 1 Lift off the slow speed outlet cover .
- 2 With the attachment in the position shown, locate to the slow speed outlet and rotate to lock in place .

to use your pasta maker

- 1 Make your pasta dough. Follow one of the dough recipes supplied.
- 2 Set the adjustable knob on the side of the pasta attachment to number 0 by pulling the knob out and turning.
- 3 Flatten a piece of dough to approximately 1 cm thick and sprinkle some flour between the rollers.
- 4 Turn the kitchen machine to speed 1 (you will see the rollers turning).
- 5 Pass the piece of dough through the rollers repeating until you get a smooth surface. (Folding the dough in half across its width or length between rollings will help to achieve this).
- 6 Adjust the knob progressively from 0 to 9, each time re-feeding the dough through the attachment to achieve the desired thickness  (refer to pasta sheet thickness chart). Pasta thickness using settings 5 to 7 is recommended.
- 7 Cut the rolled pasta into desired/ manageable pieces. Use as required.

Pasta Sheet Thickness Chart	
Adjustable Knob Setting	Pasta Sheet Thickness (approximate)
No. 0	~4.8mm
No. 1	~3.8mm
No. 2	~3.3mm
No. 3	~2.5mm
No. 4	~1.9mm
No. 5	~1.5mm
No. 6	~1.2mm
No. 7	~1.0mm
No. 8	~0.8mm
No. 9	~0.6mm

Obsah je uzamčen

Dokončete, prosím, proces objednávky.

Následně budete mít přístup k celému dokumentu.



Proč je dokument uzamčen? Nahněvat Vás rozhodně nechceme. Jsou k tomu dva hlavní důvody:

- 1) Vytvořit a udržovat obsáhlou databázi návodů stojí nejen spoustu úsilí a času, ale i finanční prostředky. Dělali byste to Vy zadarmo? Ne*. Zakoupením této služby obdržíte úplný návod a podpoříte provoz a rozvoj našich stránek. Třeba se Vám to bude ještě někdy hodit.

**) Možná zpočátku ano. Ale vězte, že dotovat to dlouhodobě nelze. A rozhodně na tom nezbohatneme.*

- 2) Pak jsou tady „roboti“, kteří se přiživují na naší práci a „vysávají“ výsledky našeho úsilí pro svůj prospěch. Tímto krokem se jim to snažíme překazit.

A pokud nemáte zájem, respektujeme to. Urgujte svého prodejce. A když neuspějete, rádi Vás uvidíme!