



# Russell Hobbs



GB

DE

FR

NL

IT

ES

PT

DK

SE

NO

FI

RU

CZ

SK

PL

HR

SI

GR

HU

TR

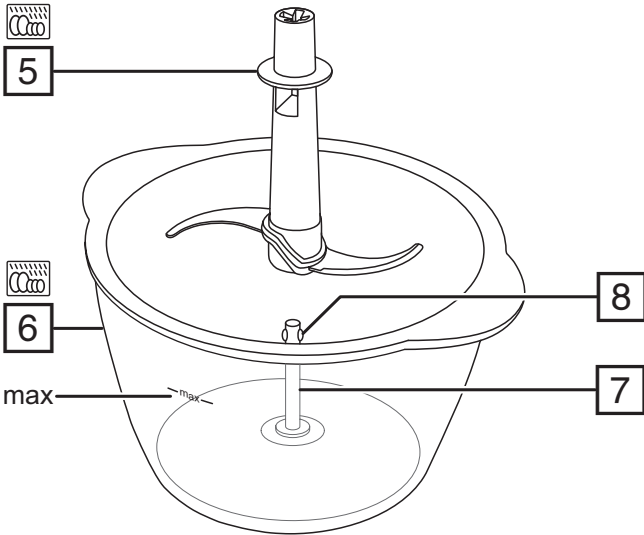
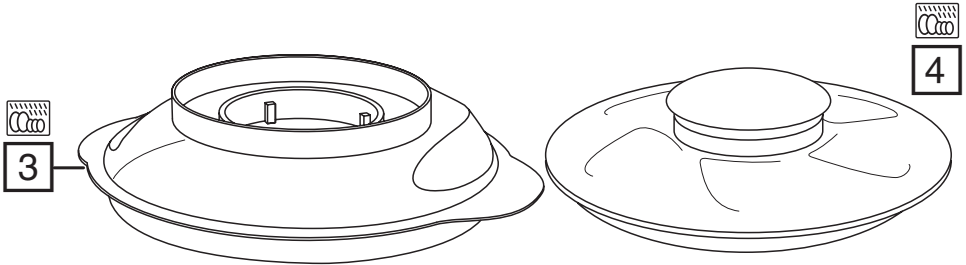
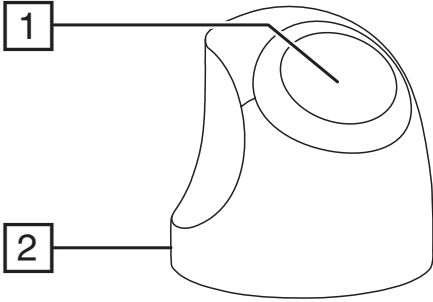
RO

BG

AE

**24660-56**

 [www.russellhobbs.com](http://www.russellhobbs.com)



Read the instructions, keep them safe, pass them on if you pass the appliance on. Remove all packaging before use.



---

## IMPORTANT SAFEGUARDS

Follow basic safety precautions, including:

This appliance can be used by persons with reduced physical, sensory or mental capabilities or lack of experience and knowledge if they have been supervised/instructed and understand the hazards involved.

Children must not use or play with the appliance.

Keep the appliance and cable out of reach of children.

To avoid injury, take care handling the blades, emptying the jug, and cleaning.

⚠ Do not add hot liquid (over 40°C), as it may be ejected due to sudden steaming.

⚠ Misuse of the appliance may cause injury.

Unplug the appliance before assembly, disassembly, or cleaning.

Don't leave the appliance unattended while plugged in.

If the cable is damaged, it must be replaced by the manufacturer, its service agent, or someone similarly qualified, to avoid hazard.

🚫 Don't put the motor unit in liquid.

- Don't use the appliance for any purpose other than those described in these instructions.
- Don't use the appliance if it's damaged or malfunctioning.
- Don't run the motor for more than 1 minute, or it may overheat. After 1 minute, switch off for at least 3 minutes, to let the motor cool.

## HOUSEHOLD USE ONLY

---

## DIAGRAMS

- |                   |               |
|-------------------|---------------|
| 1. Switch         | 5. Blade unit |
| 2. Motor unit     | 6. Bowl       |
| 3. Processing lid | 7. Spindle    |
| 4. Storage lid    | 8. Flanges    |

---

## USING

- Don't try to chip ice, don't try to chop raw meat, and take great care with the blades.
  - Don't fill above **max**.
  - Don't process hard foods – i.e. anything you can't cut easily with a kitchen knife.
  - Don't chop big bits – maximum 18mm cubes.
1. Unplug the appliance.
  2. Lift the motor unit off the bowl. Lift the processing lid off the bowl.
  3. Lower the blade unit over the spindle in the bottom of the bowl. You may have to turn it slightly, to fit over the flanges on the spindle. It's spring-loaded, so you'll feel some resistance as you push it down.
  4. Put the food in the bowl.
  5. Align the central hole in the processing lid with the top of the blade unit, and lower the lid on to the bowl.

# Obsah je uzamčen

**Dokončete, prosím, proces objednávky.**

**Následně budete mít přístup k celému dokumentu.**



**Proč je dokument uzamčen? Nahněvat Vás rozhodně nechceme. Jsou k tomu dva hlavní důvody:**

- 1) Vytvořit a udržovat obsáhlou databázi návodů stojí nejen spoustu úsilí a času, ale i finanční prostředky. Dělali byste to Vy zadarmo? Ne\*. Zakoupením této služby obdržíte úplný návod a podpoříte provoz a rozvoj našich stránek. Třeba se Vám to bude ještě někdy hodit.

*\*) Možná zpočátku ano. Ale vězte, že dotovat to dlouhodobě nelze. A rozhodně na tom nezbohatneme.*

- 2) Pak jsou tady „roboti“, kteří se přiživují na naší práci a „vysávají“ výsledky našeho úsilí pro svůj prospěch. Tímto krokem se jim to snažíme překazit.

A pokud nemáte zájem, respektujeme to. Urgujte svého prodejce. A když neuspějete, rádi Vás uvidíme!