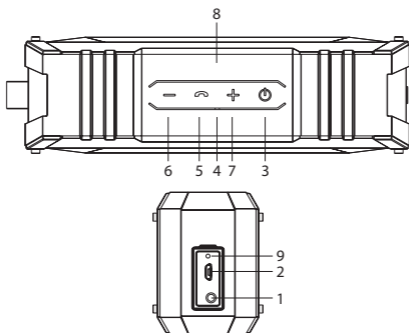


E0082 E0083 E0084

GB	Bluetooth Speaker
CZ	Bluetooth přehrávač
SK	Bluetooth prehrávač
PL	Odtwarzacz bluetooth
HU	Bluetooth hangszóró
SI	Bluetooth predvajalnik
RS HR BA ME	Bluetooth player
DE	Bluetooth Abspieler
UA	Bluetooth плеєр
RO	Bluetooth player
LT	Bluetooth kolonėlė
LV	Bluetooth skaļrunis
EE	Bluetooth-mängija
BG	Bluetooth плейър



www.emos.eu



GB | Bluetooth Speaker

Safety Instructions and Warnings



The product is designed to provide trouble-free service for many years if used properly.

- Read the manual carefully before using this product.
- Do not tamper with the internal electric circuits of the product – doing so may damage the product and will automatically void the warranty.
- To clean the product, use a slightly moistened soft cloth. Do not use solvents or cleaning agents.
- If the product becomes damaged or defective, do not perform any repairs yourself; turn it in for repair at the store where you bought it.
- This device is not intended for use by persons (including children) whose physical, sensory or mental disability or whose lack of experience or knowledge prevents them from using it safely. Such persons should be instructed as to how to use the device and should be supervised by a person responsible for their safety.



Do not dispose of electrical appliances as unsorted municipal waste; use sorted waste collection points. Contact local authorities for up-to-date information about collection points. If electrical appliances are deposited in waste landfills, hazardous substances may leak into the groundwater, enter the food chain and harm your health.

Emos spol s.r.o. declares that products P28BS, P28BT, P28BR are in compliance with the essential requirements and other applicable provisions of directives. The devices can be freely operated in the EU. The Declaration of Conformity can be found at <http://www.emos.eu/download>.

Contents

Bluetooth speaker	1 pc
AUX audio cable	1 pc
Suspension hook	1 pc
USB cable	1 pc
Instruction manual	1 pc

Device Description

Control Buttons and Indicators

Fig. 1

1 – AUX port	6 – Previous track / Volume down
2 – USB charging connector	7 – Next track / Volume up
3 – ON / OFF button	8 – Status indicator
4 – Microphone	9 – Charging indicator
5 – Play / Pause	

Installation and Assembly

Powered by Batteries

The device contains a built-in 4,400 mAh battery. The Li-Ion 3.7 V battery is rechargeable and can be charged repeatedly at a voltage of 5 V.

Recharging the Battery

Plug the USB cable into the device's connector and plug the other end to a USB interface or into power source with a USB port. Charge time is approximately 3 hours depending on the status of the battery. While charging, the red indicator (9) will be glowing. After fully charging, the red indicator (9) switches to green. If you wish to use a power adapter for external 5 V DC charging, connect the cable to a microUSB connector. If you have not been using the device for a longer period of time, the rechargeable battery might be fully drained and may be in a "non-active" state. This is typical for all rechargeable batteries. When first recharging the battery (to "activate" it) we recommend charging for at least 5 hours.

Controls and Functions

Pairing P28 with a Bluetooth Device

- Turn P28 on using the ON/OFF button.
- If the blue indicator (8) is rapidly flashing, P28 is ready for pairing.
- Activate the Bluetooth function in your device and check that visibility for nearby devices is enabled. Choose the function for searching for nearby devices.

Obsah je uzamčen

Dokončete, prosím, proces objednávky.

Následně budete mít přístup k celému dokumentu.



Proč je dokument uzamčen? Nahněvat Vás rozhodně nechceme. Jsou k tomu dva hlavní důvody:

- 1) Vytvořit a udržovat obsáhlou databázi návodů stojí nejen spoustu úsilí a času, ale i finanční prostředky. Dělali byste to Vy zadarmo? Ne*. Zakoupením této služby obdržíte úplný návod a podpoříte provoz a rozvoj našich stránek. Třeba se Vám to bude ještě někdy hodit.

**) Možná zpočátku ano. Ale vězte, že dotovat to dlouhodobě nelze. A rozhodně na tom nezbohatneme.*

- 2) Pak jsou tady „roboti“, kteří se přiživují na naší práci a „vysávají“ výsledky našeho úsilí pro svůj prospěch. Tímto krokem se jim to snažíme překazit.

A pokud nemáte zájem, respektujeme to. Urgujte svého prodejce. A když neuspějete, rádi Vás uvidíme!