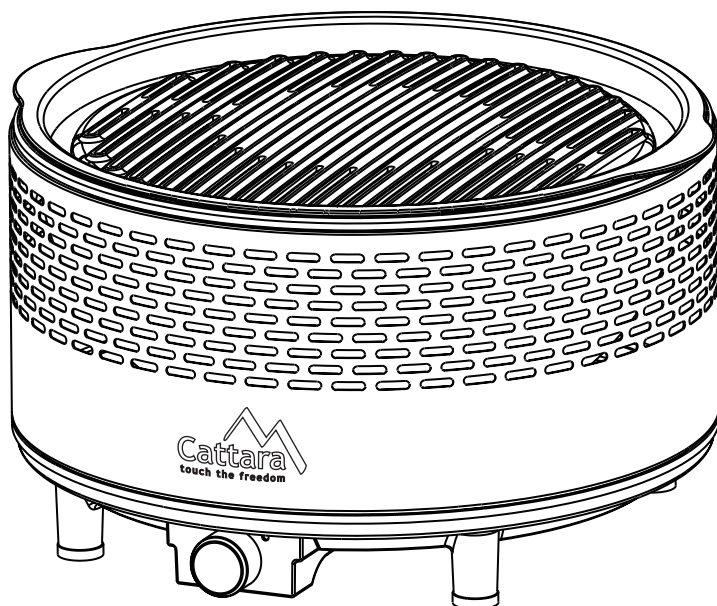


ENG Charcoal grill

CZ Gril na dřevěné uhlí

SK Gril na drevené uhlie

„KEG“



NON-SMOKING



∅ 30 cm

CAST
IRON

LITINA



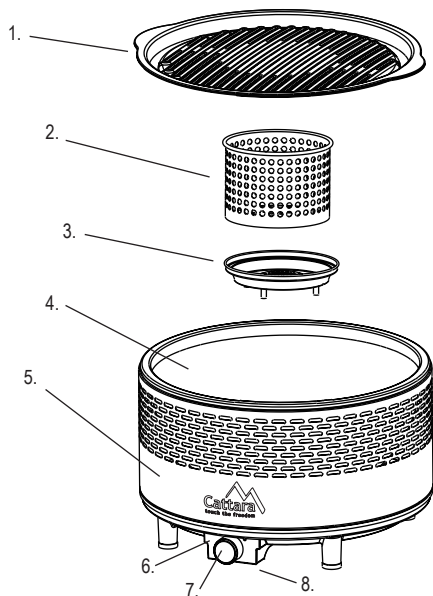
QUICK
START



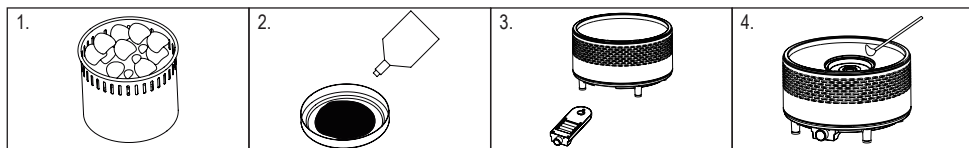
BUILT-IN
FAN



item 13 031



1. Cast iron grid
Litinový rošt
Litinový rošt
2. Charcoal tray
Zásobník na dřevěné uhlí
Zásobník na drevené uhlie
3. Bowl for firestarter
Miska pro podpalovač
Miska pre podpalovač
4. Stainless steel bowl for dripping grease
Nerez miska na shromažďování odkapaného tuku
Nerez miska na zhromažďovanie odkvapkaného tuku
5. Grill body
Tělo grilu
Telo grilu
6. Battery and fan box
Schránka s bateriemi a ventilátorem
Schránka s batériami a ventilátorom
7. Fan Controller
Ovladač ventilátoru
Ovládač ventilátora
8. 4x AA 1,5V battery compartment (on the underside)
Příhrádka na 4x AA 1,5V baterie (na spodní straně)
Priehradka na 4x AA 1,5V batérie (na spodnej strane)

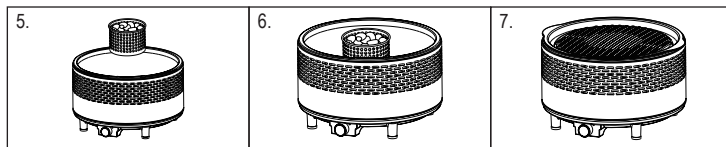


1. Fill the tray with charcoal.
Naplňte zásobník dřevěným uhlím.
Naplňte zásobník dreveným uhlím.

2. Put the firestarter into the small bowl.
Dejte podpalovač do malé misky.
Dajte podpalovač do malej misky.

3. Place the batteries into fan batteries compartment.
Dejte baterie do ventilátoru.
Dajte batérie do ventilátora.

4. Place the firestarter bowl into the grill and light it.
Dejte misku s podpalovačem do grilu a zapalte ji.
Dajte misku s podpalovačom do grilu a zapáľte ju.



5. Place the charcoal tray into the grill.
Dejte do grilu zásobník s dřevěným uhlím.
Dajte do grilu zásobník s dreveným uhlím.

6. Turn the fan on the maximum settings.
Zapněte ventilátor na maximum.
Zapnite ventilátor na maximum.

7. Place the iron grid on the grill.
Nasadte litinový rošt.
Nasadte litinový rošt.



Batteries not included
Baterie nejsou přiloženy
Batérie nie sú priložené

Non-smoking charcoal grill KEG

INSTRUCTION MAINUL

Non-smoking fast-starting charcoal grill with adjustable fan.

To ensure optimum conditions, it is fitted with cast iron grid, that accumulates large amount of heat for grilling. The internal grease dripping bowl is made of stainless steel that is easy to clean.

Thanks to double-casing, the outer shell of the grill heats up just very little. The built-in fan ensures a constant air supply, thus providing almost exclusively smoke-free combustion of charcoal.

Built in fan can be smoothly controlled for easy maintaining of the temperature. Healthy grilling thanks to a closed charcoal container, where the dripping grease does not reach the combustible coal and thus does not burn off.

The fan is powered via 4x AA alkaline batteries (not included).

Instructions for use:

- This grill is not intended for commercial purposes. This grill is designed to outdoor use only, well-ventilated areas. Always make sure that the grill is placed on a stable surface.
- **WARNING** - Danger of carbon monoxide poisoning. Do not use the grill in the interior but only outdoors!
- **CAUTION** - The surface of the grill will be very hot during use, do not manipulate with it!
- **CAUTION** - Do not use alcohol or gasoline for ignition or re-ignition! Use only lighters in accordance with EN 1860-3!
- **CAUTION** - Keep children and pets out of reach! Do not use in interiors!

Predictable misuse

- Do not use in closed areas.
- Do not use as a heater.
- Risk of burns! Do not place other items on the grill (eg cutlery, utensils, lids, etc.). These items can be very hot and you can get burns.

Safety instructions

Before using this device for the first time, read the notes below and take special care of all warnings, even if you have experience with the use of electronic devices and charcoal grills. Store these safety and operating instructions in a safe place for future reference. If you sell or pass on the device, keep this manual included.

Children and people with disabilities

This device may also be used by children over the age of 8 as well as persons with reduced physical, sensory or mental capabilities, or similar person with a lack of knowledge or experience, provided they are supervised or instructed on the

correct use of the appliance and are aware of the associated risks. Do not allow children to play with the appliance. Any cleaning or maintenance of the appliance can be carried out under the supervision.

Children aged under 8 years, should not move around the appliance at all.

Danger of suffocation!

Packaging material is not intended to play. Do not allow children to play with plastic bags. There is a risk of suffocation!

Batteries and small parts present a risk of suffocation. Keep the batteries in a safe place. In case of swallowing of the battery, seek medical advice immediately. Keep your device out of reach of children.

General safety instructions

Danger of burns!

- Do not place other objects on the grid (eg cutlery, utensils, lids, etc.). These items can get very hot and you can get burned from them.
- Do not touch the grid, the grease trays / charcoal tray or the charcoal container during use. Grab the grill and carry it only on the sides or bottom of the cover.
- Move the grill only after its fully cooled. Grab the grill and carry it only on the sides or bottom of the cover.
- Only clean the grill after its fully cooled.
- Always wear protective gloves during grilling.
- When preparing food, filling with charcoal or manipulation with grid, you should always wear protective gloves. Use barbecue cutlery with long, heat resistant grips.

Danger of fire!

- Use grill only outside. Never use it in closed areas.
- Do not use the grill as a heater.

Obsah je uzamčen

Dokončete, prosím, proces objednávky.

Následně budete mít přístup k celému dokumentu.



Proč je dokument uzamčen? Nahněvat Vás rozhodně nechceme. Jsou k tomu dva hlavní důvody:

- 1) Vytvořit a udržovat obsáhlou databázi návodů stojí nejen spoustu úsilí a času, ale i finanční prostředky. Dělali byste to Vy zadarmo? Ne*. Zakoupením této služby obdržíte úplný návod a podpoříte provoz a rozvoj našich stránek. Třeba se Vám to bude ještě někdy hodit.

**) Možná zpočátku ano. Ale vězte, že dotovat to dlouhodobě nelze. A rozhodně na tom nezbohatneme.*

- 2) Pak jsou tady „roboti“, kteří se přiživují na naší práci a „vysávají“ výsledky našeho úsilí pro svůj prospěch. Tímto krokem se jim to snažíme překazit.

A pokud nemáte zájem, respektujeme to. Urgujte svého prodejce. A když neuspějete, rádi Vás uvidíme!