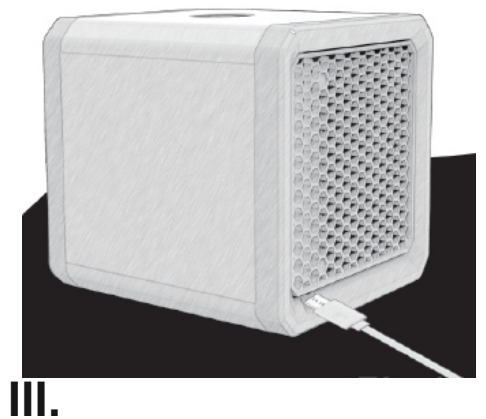
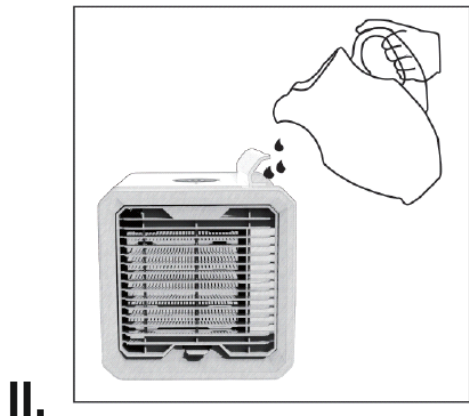
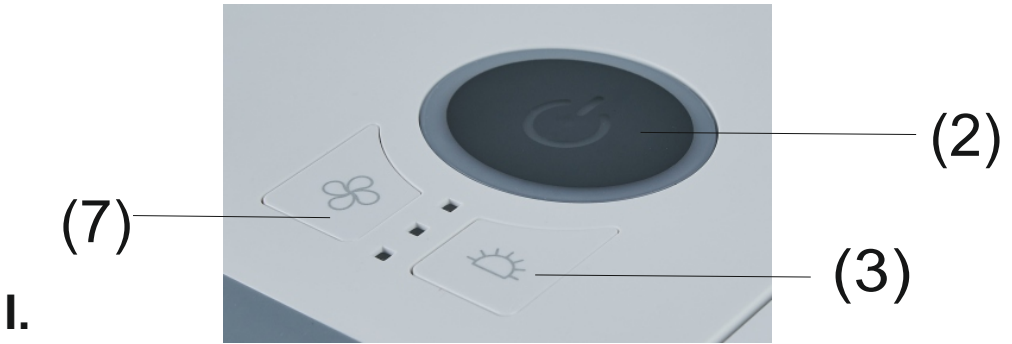
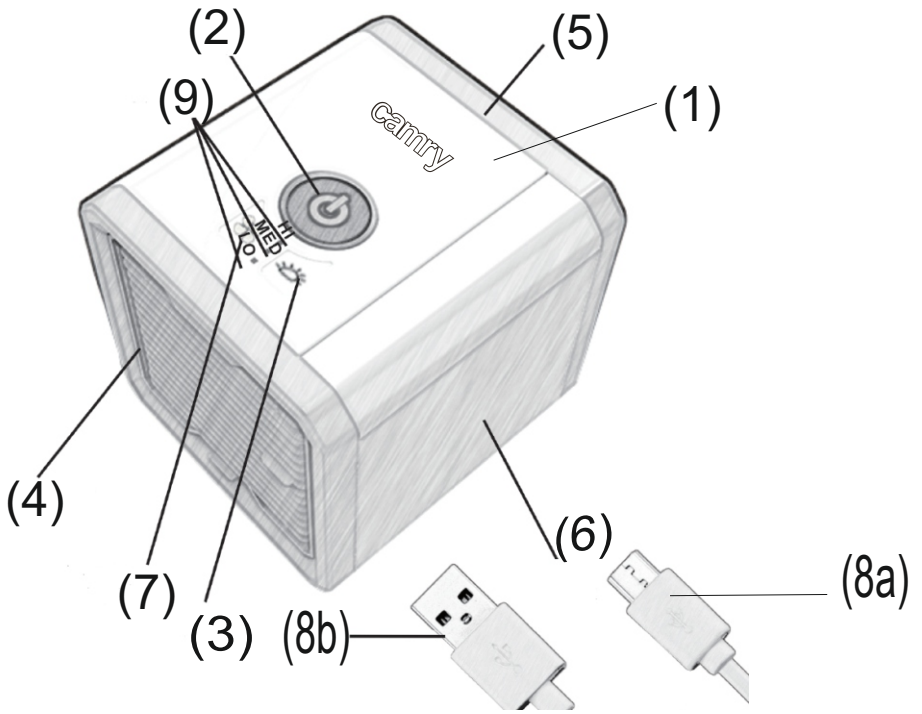


Camry



CR 7318

(GB) user manual	3	(BIH) upute za rad	27
(D) bedienungsanweisung	4	(H) felhasználói kézikönyv	28
(F) mode d'emploi	6	(FIN) käyttöopas	30
(E) manual de uso	8	(NL) handleiding	32
(P) manual de serviço	10	(HR) upute za uporabu	33
(LT) naudojimo instrukcija	12	(RUS) инструкция обслуживания	35
(LV) lietošanas instrukcija	14	(SLO) navodila za uporabo	37
(EST) kasutusjuhend	16	(I) istruzioni per l'uso	39
(CZ) návod k obsluze	17	(DK) brugsanvisning	40
(RO) Instrucțiunea de deservire	19	(UA) інструкція з експлуатації	42
(GR) οδηγίες χρήσεως	21	(SR) korisničko uputstvo	45
(SK) použivateľská príručka	23	(S) instruktionsbok	47
(MK) упатство за корисникот	25	(PL) instrukcja obsługi	49



**SAFETY CONDITIONS IMPORTANT INSTRUCTIONS ON SAFETY OF USE PLEASE
READ CAREFULLY AND KEEP FOR FUTURE REFERENCE**

The warranty conditions are different, if the device is used for commercial purpose."

1. Before using the product please read carefully and always comply with the following instructions. The manufacturer is not responsible for any damages due to any misuse.
2. The product is only to be used indoors. Do not use the product for any purpose that is not compatible with its application.
3. Connect the device to the USB socket on your computer or telephone charger.
4. Please be cautious when using around children. Do not let the children to play with the product. Do not let children or people who do not know the device to use it without supervision.
5. **WARNING:** This device may be used by children over 8 years of age and persons with reduced physical, sensory or mental capabilities, or persons without experience or knowledge of the device, only under the supervision of a person responsible for their safety, or if they were instructed on the safe use of the device and are aware of the dangers associated with its operation. Children should not play with the device. Cleaning and maintenance of the device should not be carried out by children, unless they are over 8 years of age and these activities are carried out under supervision.
6. Do not try to repair the defected product yourself because it can lead to electric shock. Always turn the damaged device to a professional service location in order to repair it. All the repairs can be done only by authorized service professionals. The repair that was done incorrectly can cause hazardous situations for the user.
7. Never put the product on or close to the hot or warm surfaces or the kitchen appliances like the electric oven or gas burner.
8. Never use the product close to combustibles.
9. Children aged 3 to 8 years old can enable and disable the device only when it is in its normal position of use, they are supervised or instructed on the safe use and understand the resulting risks. Children aged 3 to 8 years old can not connect device, operate, clean or maintain.
10. The paper filter is specially designed for this product. If the filter breaks or damaged, it must be purchased and replaced.
11. Do not move the device when it is filled with water. Some water may remain in unit even if water tank is empty.
12. Use only clean water. If needed, use distilled water.
13. Regularly follow the rules described in the Cleaning and Maintenance section.
14. Do not place the unit near openflames or fire sources.
15. we recommend use only in dry location. If using in a moist area or environment, take care not to get water on external of the product.
16. If a spill occurs on the surface of device, unplug the unit and let it dry for 24 hours. Then use as normal.
17. Do not place in direct sunlight for extended periods of time.
18. Before not using the unit for extended periods of time, empty the water tank, turn unit on, and set to highest fan speed for at least 4 hours. This will dry out then filter the inside of your unit.
19. Only use the original USB cord supplied in package.

Obsah je uzamčen

Dokončete, prosím, proces objednávky.

Následně budete mít přístup k celému dokumentu.



Proč je dokument uzamčen? Nahněvat Vás rozhodně nechceme. Jsou k tomu dva hlavní důvody:

- 1) Vytvořit a udržovat obsáhlou databázi návodů stojí nejen spoustu úsilí a času, ale i finanční prostředky. Dělali byste to Vy zadarmo? Ne*. Zakoupením této služby obdržíte úplný návod a podpoříte provoz a rozvoj našich stránek. Třeba se Vám to bude ještě někdy hodit.

**) Možná zpočátku ano. Ale vězte, že dotovat to dlouhodobě nelze. A rozhodně na tom nezbohatneme.*

- 2) Pak jsou tady „roboti“, kteří se přiživují na naší práci a „vysávají“ výsledky našeho úsilí pro svůj prospěch. Tímto krokem se jim to snažíme překazit.

A pokud nemáte zájem, respektujeme to. Urgujte svého prodejce. A když neuspějete, rádi Vás uvidíme!