



Visit us:  
[www.philips.com/welcome](http://www.philips.com/welcome)

© 2018 AquaShield  
All rights reserved.  
The Philips trademark and the Philips Shield Emblem are registered trademarks of Koninklijke Philips N.V.  
used under license.  
This product has been manufactured by and is sold under the responsibility of Hong Kong  
AquaShield Health Technology Company Limited and Hong Kong AquaShield Health Technology Company  
Limited is the warrantor in relation to this product.  
Rev A JAN19

**PHILIPS**

Water Solution

Pitcher

AWP2900 AWP2915  
AWP2920 AWP2918  
AWP2921 AWP2922  
AWP2950  
AWP2970



**User Manual**

Note: the drawing is for illustration only. Actual product may vary.

# Content

## EN

Product Functions	1
Applicable Water	1
Main Technical Parameters	1
Overview	2
Instruction	2
Precautions	4
Maintenance	4
Trouble Shooting	5
Frequently Asked Questions	6
Guarantee & Service	7
Packing List	7

## DE

Produktfunktion	15
Verwendbares Wasser	15
Die wichtigsten technischen Parameter	15
Übersicht	16
Anleitung	17
Sicherheitsmaßnahmen	18
Pflege und Wartung	18
Problemlösungen	19
Häufig gestellte Fragen	20
Garantie und Service	21
Übersicht über den Verpackungsinhalt	21

## PL

Funkcja produktu	36
Używana woda	36
Główne parametry techniczne	36
Opis	37
Instrukcja	38
Środki bezpieczeństwa	39
Konserwacja	39
Ustawianie usterek	40
Często zadawane pytania	41
Gwarancja & Servis	42
Zawartość opakowania	42

## CS

Funkce produktu	8
Použitelná voda	8
Hlavní technické parametry	8
Přehled	9
Instrukce	10
Bezpečnostní opatření	11
Údržba	11
Řešení závad	12
Často kladené dotazy	13
Záruka & Servis	14
Seznam balení	14

## FR

Fonctions du produit	22
Eau utilisable	22
Principaux paramètres techniques	22
Description	23
Instructions	24
Mesure de sécurité	25
Conseils d'entretien	25
Solution des anomalies	26
Questions fréquemment posées	27
Garantie & Service après-vente	28
L'emballage contient	28

## IT

Funzioni del prodotto	29
Acqua utilizzabile	29
Parametri tecnici principali	29
Schema	30
Istruzioni	31
Misure di sicurezza	32
Manutenzione	32
Risoluzione dei problemi	33
Domande frequenti	34
Garanzia & assistenza	35
Contenuto della confezione	35

## RO

Funcția produsului	43
Apa utilizabilă	43
Parametri tehnici principali	43
Rezumat	44
Instrucțiuni	45
Măsuri de securitate	46
Mentenanța	46
Depistarea și remedierea defecțiunilor	47
Întrebări frecvente	48
Garanție & Service	49
Listă conținut cutie ambalată	49

## RU

Принцип работы	57
Фильтруемая вода	57
Основные технические параметры	57
Основные компоненты	58
Инструкции	59
Меры безопасности	60
Обслуживание	60
Устранение проблем	61
Часто задаваемые вопросы	62
Гарантия и обслуживания	63
Комплект поставки	63

## ES

Funciones del producto	50
Agua aplicable	50
Principales parámetros técnicos	50
Resumen	51
Instrucciones	52
Precauciones	53
Mantenimiento	53
Solución de defectos	54
Preguntas frecuentes	55
Garantía y Servicio	56
Especificación de empaque	56

## Product Functions

Philips pitchers AWP2900, AWP2915, AWP2918, AWP2920, AWP2921, AWP2922, AWP2950 and AWP2970 apply multi-stage filtration technology, which can reduce chlorine (odor and taste), VOCs and pesticides which may exist in the tap water. The ion exchange resin can soften the water and reduce soluble lead, and the hollow fiber membrane can remove bacteria like E.coli in the water.

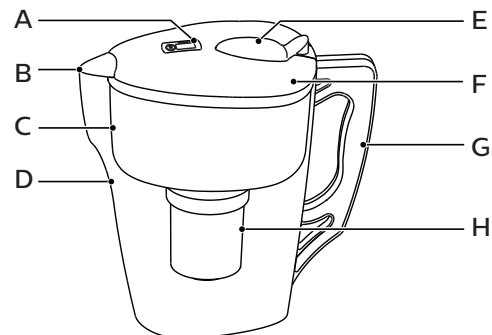
## Applicable Water

Municipal tap water

## Main Technical Parameters

Model	AWP2950 AWP2970		
Main components and lifetime	Granular Activated Carbon	60g	
	Hollow Fiber Membrane	1 pc	2 months
	AS raw water tank	1 pc	
	AS filtered water tank	1 pc	
	ABS filter housing	1 set	
Water flow rate	0.15L/min		
Total water filtered	200 L		
Model	AWP2900	AWP2915	
	AWP2920	AWP2918	
	AWP2921	AWP2922	
Main components and lifetime	Granular Activated Carbon	45 g	
	Hydrogen ion exchange resin	32.5 g	2 months
	Potassium ion exchange resin	32.5g	
	AS raw water tank	1 pc	
	AS filtered water tank	1 pc	
ABS filter housing	1 set		
Water flow rate	0.25L/min		
Total water filtered	200 L		
Operating pressure	0 - 0.1MPa		
Applicable water	Municipal tap water		

## Overview



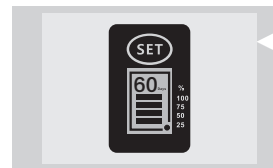
- A Timer\*
- B Filtered water outlet
- C AS raw water tank
- D AS filtered water tank
- E Tap water inlet
- F Cover
- G Handle\*
- H Filter cartridge\*



### \*Notes:

1. AWP2900, AWP2915, AWP2918 and AWP2950 do not have filter cartridge timer.
2. AWP2900, AWP2915, AWP2918, AWP2921, AWP2922 and AWP2920 are with granular activated carbon and ion exchange resin cartridge. (AWP201)
3. AWP2950 and AWP2970 are with hollow fiber membrane and granular activated carbon filter cartridge. (AWP261)
4. There may be differences in the appearance between different models.

### Timer for filter replacement



In order to maintain the best status of the filter cartridge, Philips recommends you to replace the filter cartridge at least every 60 days.

This timer has a 60-day countdown. A new pitcher with timer should be with no display until it is activated.

- Start: Please press "SET" button firmly for 3 seconds to activate the timer.
- Reset: Reset is required for the first time. Press the "SET" button firmly for 8 seconds. The timer will be reset to 60 Days and start to calculate.
- Normal reset: When it displays 00, after the filter cartridge is replaced, press the "SET" button firmly for 3 seconds to start a new cycle of countdown.
- Forced reset: For the replacement of filter cartridge at any time within a cycle of timing, press "SET" button firmly for 8 seconds to force it to reset.
- Pause/Resume: When the countdown is started, press the "SET" button firmly for 3 seconds and the timer can be switched between Pause and Resume.
- During countdown, the dot will be flashing, and the number of days & graph will be decreasing. At the beginning it will show 60 days, and please replace the filter when the timer shows 00.

# Obsah je uzamčen

**Dokončete, prosím, proces objednávky.**

**Následně budete mít přístup k celému dokumentu.**



**Proč je dokument uzamčen? Nahněvat Vás rozhodně nechceme. Jsou k tomu dva hlavní důvody:**

- 1) Vytvořit a udržovat obsáhlou databázi návodů stojí nejen spoustu úsilí a času, ale i finanční prostředky. Dělali byste to Vy zadarmo? Ne\*. Zakoupením této služby obdržíte úplný návod a podpoříte provoz a rozvoj našich stránek. Třeba se Vám to bude ještě někdy hodit.

*\*) Možná zpočátku ano. Ale vězte, že dotovat to dlouhodobě nelze. A rozhodně na tom nezbohatneme.*

- 2) Pak jsou tady „roboti“, kteří se přiživují na naší práci a „vysávají“ výsledky našeho úsilí pro svůj prospěch. Tímto krokem se jim to snažíme překazit.

A pokud nemáte zájem, respektujeme to. Urgujte svého prodejce. A když neuspějete, rádi Vás uvidíme!