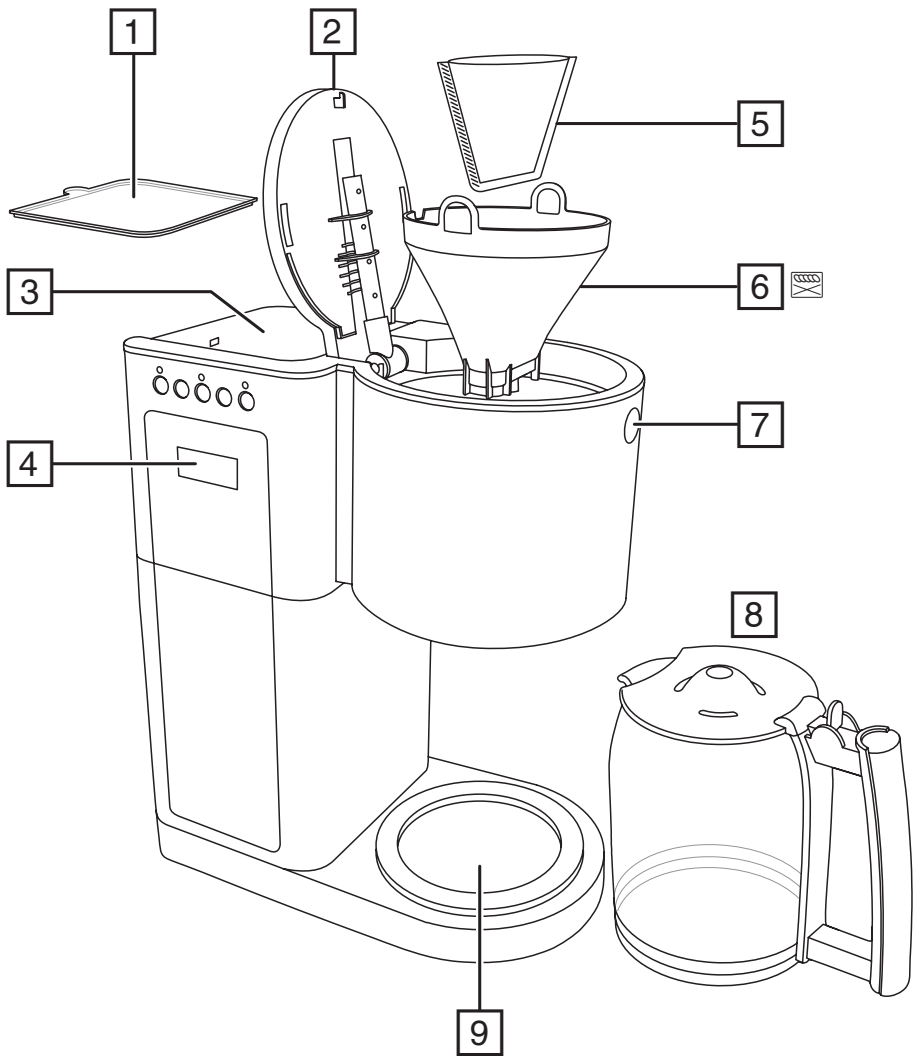




Russell Hobbs



instructions	3	pokyny (Čeština)	39
Bedienungsanleitung	6	pokyny (Slovenčina)	42
mode d'emploi	9	instrucja	45
instructies	12	upute	48
istruzioni per l'uso	15	navodila	51
instrucciones	18	οδηγίες	54
instruções	21	utasítások	57
brugsanvisning	24	talimatlar	60
bruksanvisning (Svenska)	27	instrucțiuni	63
bruksanvisning (Norsk)	30	инструкции (Български)	66
käyttöohjeet	33	تعليمات الاستخدام	69
инструкции (Русский)	36		



Read the instructions, keep them safe, pass them on if you pass the appliance on. Remove all packaging before use.

IMPORTANT SAFEGUARDS

Follow basic safety precautions, including:

This appliance can be used by children aged from 8 years and above and persons with reduced physical, sensory or mental capabilities or lack of experience and knowledge if they have been given supervision or instruction concerning use of the appliance in a safe way and understand the hazards involved. Children shall not play with the appliance. Cleaning and user maintenance shall not be made by children unless they are older than 8 and supervised.

Keep the appliance and its cord out of reach of children less than 8 years old.

 Parts of the appliance are liable to get hot during use.

Don't immerse the appliance in liquid.

If the cable is damaged, return the appliance, to avoid hazard.

- Sit the appliance on a stable, level, heat-resistant surface.
- Keep the appliance and cable away from the edges of worktops.
- Don't use accessories or attachments other than those we supply.
- Don't use the appliance for any purpose other than those described in these instructions.
- Don't use the appliance if it's damaged or malfunctions.

HOUSEHOLD USE ONLY

PARTS

- | | |
|-----------------------------------|---|
| 1. Reservoir lid | 6. Filter holder |
| 2. Filter compartment lid | 7. Lid lock |
| 3. Reservoir | 8. Carafe |
| 4. Display | 9. Hotplate |
| 5. Paper filter #4 (not supplied) |  dishwasher - top rack |

BEFORE USING FOR THE FIRST TIME

- Fill the reservoir to the max mark, and run the appliance without coffee.
- Let it cool, discard the water, then use it normally.

FILLING

1. Lift the lid off the reservoir.
2. Fill with at least 2 cups of water, but not above the **max** mark.
3. Press the lid lock to open the lid.
4. Open up a #4 paper filter, and put it into the filter holder.
5. The reservoir is calibrated to give 10 large cups (at 125ml per cup) and 15 small cups (at 83ml per cup). For each large cup, add 7g of ground filter coffee and for each small cup add 4.5g.
6. Close the lid, and press down to lock it.
7. Put the carafe on the hotplate.

SET THE CLOCK

1. Put the plug into the power socket.
 2. Use the **hr** and **min** buttons to set the correct time in 24 hour format.
- The clock will retain its settings until the coffee maker is unplugged.

Obsah je uzamčen

Dokončete, prosím, proces objednávky.

Následně budete mít přístup k celému dokumentu.



Proč je dokument uzamčen? Nahněvat Vás rozhodně nechceme. Jsou k tomu dva hlavní důvody:

- 1) Vytvořit a udržovat obsáhlou databázi návodů stojí nejen spoustu úsilí a času, ale i finanční prostředky. Dělali byste to Vy zadarmo? Ne*. Zakoupením této služby obdržíte úplný návod a podpoříte provoz a rozvoj našich stránek. Třeba se Vám to bude ještě někdy hodit.

**) Možná zpočátku ano. Ale vězte, že dotovat to dlouhodobě nelze. A rozhodně na tom nezbohatneme.*

- 2) Pak jsou tady „roboti“, kteří se přiživují na naší práci a „vysávají“ výsledky našeho úsilí pro svůj prospěch. Tímto krokem se jim to snažíme překazit.

A pokud nemáte zájem, respektujeme to. Urgujte svého prodejce. A když neuspějete, rádi Vás uvidíme!