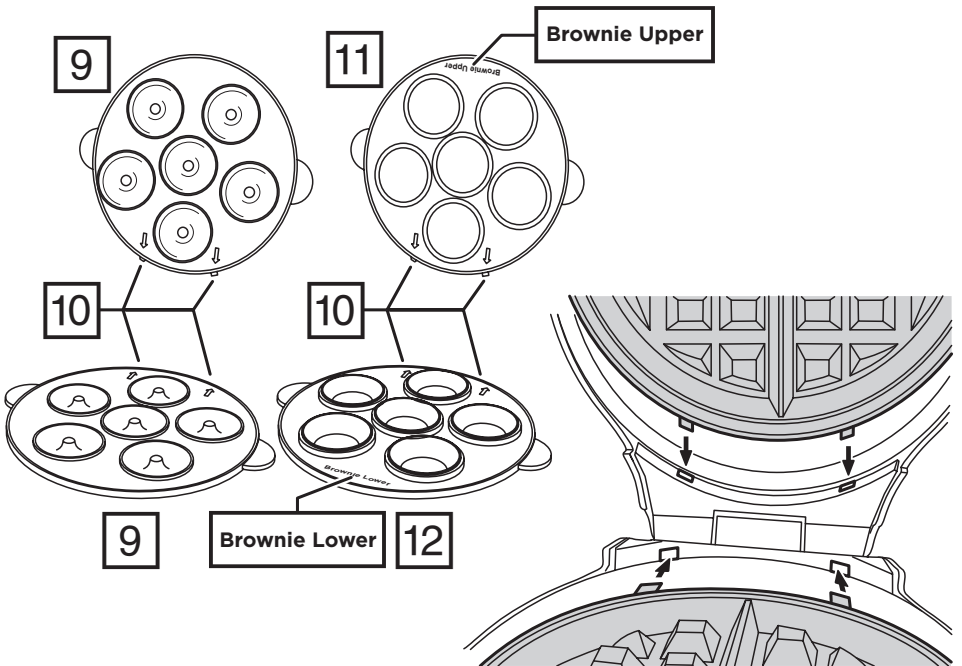
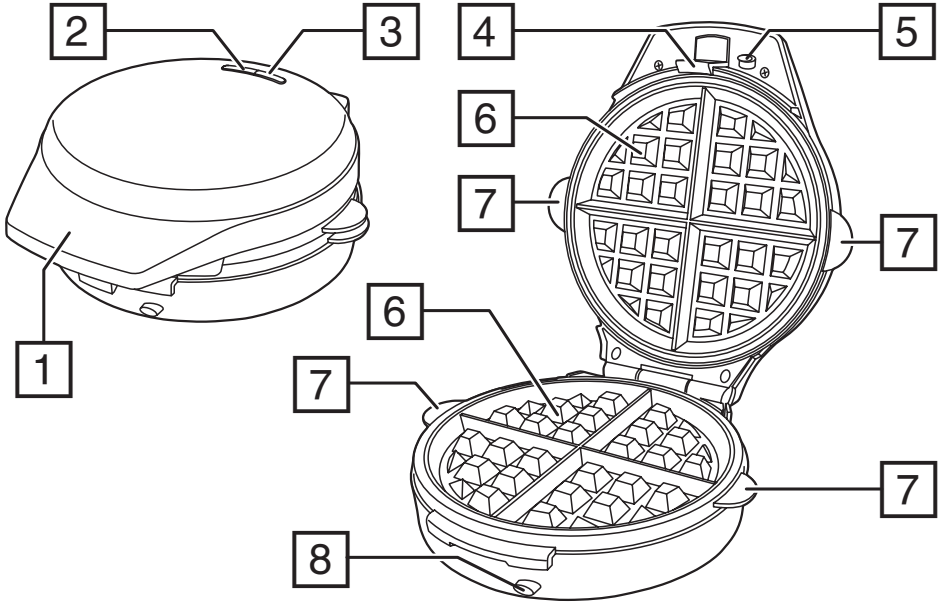




Russell Hobbs



instructions	3	pokyny (Čeština)	39
Bedienungsanleitung	6	pokyny (Slovenčina)	42
mode d'emploi	9	instrukcja	45
instructies	12	upute	48
istruzioni per l'uso	15	navodila	51
instrucciones	18	οδηγίες	54
instruções	21	utasítások	57
brugsanvisning	24	talimatlar	60
bruksanvisning (Svenska)	27	instrucțiuni	63
bruksanvisning (Norsk)	30	инструкции (Български)	66
käyttöohjeet	33	تعليمات الاستخدام	69
инструкции (Русский)	36		



Read the instructions, keep them safe, pass them on if you pass the grill on.
Remove all packaging before use.

IMPORTANT SAFEGUARDS

Follow basic safety precautions, including:

This appliance can be used by children aged from 8 years and above and persons with reduced physical, sensory or mental capabilities or lack of experience and knowledge if they have been given supervision or instruction concerning use of the appliance in a safe way and understand the hazards involved. Children shall not play with the appliance. Cleaning and user maintenance shall not be made by children unless they are older than 8 and supervised.

Keep the appliance and cable out of reach of children under 8.

Don't connect the appliance via a timer or remote control system.

⚠ The surfaces of the appliance will get hot during use.

If the cable is damaged, it must be replaced by the manufacturer, its service agent, or someone similarly qualified, to avoid hazard.

⊗ Don't put the appliance in liquid.

- Don't use the appliance near or below combustible materials (e.g. curtains).
- Don't use this appliance for any purpose other than cooking food.
- This appliance generates heat and escaping steam during use. Open carefully to avoid burns/scalds.
- Only use the lid handle to open the lid. Never use the plate handles as they will be extremely hot.
- Don't use this appliance if it is damaged or malfunctions.

HOUSEHOLD USE ONLY

DIAGRAMS

- | | |
|-------------------------------|-------------------------------|
| 1. Lid handle | 7. Plate handles |
| 2. Power light (red) | 8. Lower plate release button |
| 3. Ready light (green) | 9. Donut plates |
| 4. Latch | 10. Tabs |
| 5. Upper plate release button | 11. Upper cake plate |
| 6. Waffle plates | 12. Lower cake plate |

BEFORE USING FOR THE FIRST TIME

Thoroughly wash the plates with warm soapy water and dry with a soft cloth.

Your cake/snack maker may smoke a little the first time you use it. This is normal and will soon disappear.

Before first use, condition the plates by brushing or wiping a light coating of cooking oil onto the entire cooking surface. Wipe off excess oil with paper towel.

FITTING/REMOVING PLATES

Only fit or remove plates when the appliance has completely cooled.

- Fit or remove one plate at a time.
- Do not mix plate types.
- The donut and waffle plates can be used in any position (upper or lower). The cake plates are marked "Brownie Upper" and "Brownie Lower" and should only be fitted accordingly.

To remove a plate, press the upper or lower plate release button then lift the plate out.

To fit a plate, align the tabs on the plate with the holes near the hinges in the body of the appliance. Press down on the plate until it clicks and is locked and held in place.

Obsah je uzamčen

Dokončete, prosím, proces objednávky.

Následně budete mít přístup k celému dokumentu.



Proč je dokument uzamčen? Nahněvat Vás rozhodně nechceme. Jsou k tomu dva hlavní důvody:

- 1) Vytvořit a udržovat obsáhlou databázi návodů stojí nejen spoustu úsilí a času, ale i finanční prostředky. Dělali byste to Vy zadarmo? Ne*. Zakoupením této služby obdržíte úplný návod a podpoříte provoz a rozvoj našich stránek. Třeba se Vám to bude ještě někdy hodit.

**) Možná zpočátku ano. Ale vězte, že dotovat to dlouhodobě nelze. A rozhodně na tom nezbohatneme.*

- 2) Pak jsou tady „roboti“, kteří se přiživují na naší práci a „vysávají“ výsledky našeho úsilí pro svůj prospěch. Tímto krokem se jim to snažíme překazit.

A pokud nemáte zájem, respektujeme to. Urgujte svého prodejce. A když neuspějete, rádi Vás uvidíme!