

MOBILE AIR CONDITIONER

EN DE CZ SK HU PL

Envi 12H



App Smart Life



Scan QR code



Thank you for purchasing our product.

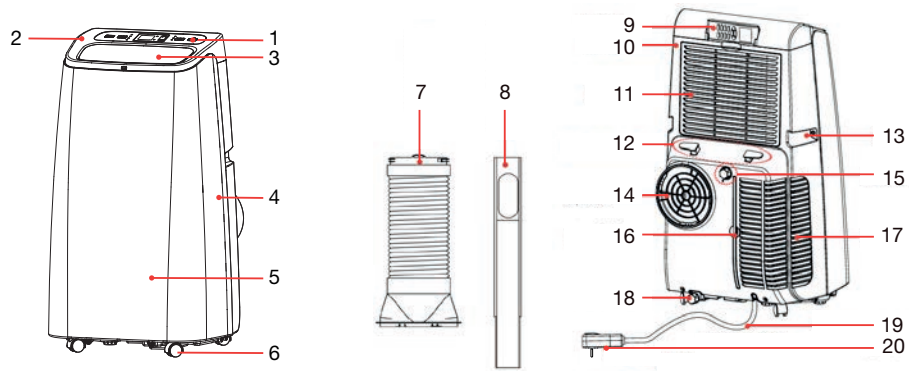
Before using this unit, please read this manual in order to avoid improper handling and use of the device.

- Follow local grid interconnection rules while installing the air conditioning and ensure that it is properly grounded. If you have any question on electrical installation, follow the instructions of the manufacturer, and if necessary, ask a professional electrician to install it.
- Place the machine in a flat and dry place and keep a distance of above 50cm between the machine and the surrounding objects or walls.
- After the air conditioning is installed, ensure that the power plug is intact and firmly plugged into the power outlet, and place the power cord orderly to prevent someone from being tripped or pulling out the plug.
- Do not put any object into the air inlet and outlet of the air conditioning. Keep the air inlet and outlet free from obstructions.
- When drainage pipes are installed, ensure that the drainage pipes are properly connected, and are not distorted or bended.
- While adjusting the upper and lower wind-guide strips of the air outlet, pluck it with hands gently to avoid damaging wind-guide strips.
- When moving the machine, make sure that it is in an upright position.
- The machine should stay away from gasoline, flammable gas, stoves and other heat sources.
- Don't disassemble, overhaul and modify the machine arbitrarily, otherwise it will cause a machine malfunction or even bring harm to persons and properties. To avoid danger, if a machine failure occurs, ask the manufacturer or professionals to repair it.
- Do not install and use the air conditioning in the bathroom or other humid environments.
- Do not pull the plug to turn off the machine.
- Do not place cups or other objects on the body to prevent water or other liquids from spilling into the air conditioning.
- Do not use insecticide sprays or other flammable substances near the air conditioning.
- Do not wipe or wash the air conditioning with chemical solvents such as gasoline and alcohol. When you need to clean the air conditioning, you must disconnect the power supply, and clean it with a half-wet soft cloth. If the machine is really dirty, scrub with a mild detergent.
- The appliance can be used by children aged from 8 years and above and persons with reduced physical, sensory or mental capabilities if they have been given supervision or instruction concerning use of the appliance in a safe way and understand the hazards involved.
- Children shall not play with the appliance.

Features

- With cooling, heating, dehumidification and air supply function.
- Automatic swing leaf in the outlet has automatic air swing function. If the air swing function is in operation, you can press the SWING button to stop the swing leaf at the desired angle.
- LCD displays the control panel. High-quality LCD remote control is equipped to facilitate operation. The remote control can be placed on the back of the body.
- Handles on both sides adopt dividing point design, so that it is easier to carry it.
- The handles on the rear of the air conditioner allow the power cord to be securely stored to prevent damage when carrying the air conditioner.
- Air filtration capability.

Components



- | | |
|----------------------------------|------------------------------|
| 1. Mask | 11. EVA filter housing |
| 2. Top cover | 12. Power cord hook |
| 3. Swing leaf | 13. Handle |
| 4. Rear housing | 14. Air vent |
| 5. Front housing | 15. Continuous drainage hole |
| 6. Omni-directional wheel | 16. CON filter screen |
| 7. Exhaust pipe assembly | 17. Air inlet grille |
| 8. Window sealing plate assembly | 18. Drainage hole |
| 9. Remote control | 19. Power cord |
| 10. Rear housing | 20. Power cord plug |

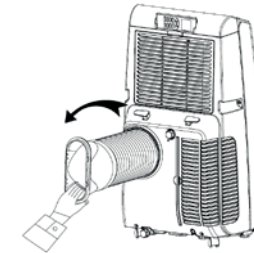
Installation

WARNING

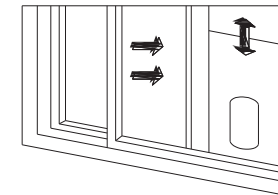
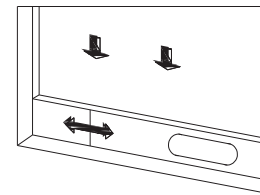
Before using the mobile air conditioner, keep it upright for at least 2 hours.

The air conditioner can be easily moved in the room. In the moving process, ensure that the air container is in the upright position and the air conditioner should be placed on a flat surface. Do not install and use the air conditioner in the bathroom or other humid environments.

1. Install the heat pipe assembly, screw the heat pipe assembly into the exhaust port on the rear panel (counterclockwise).



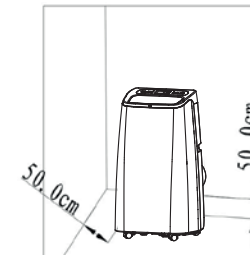
2. Install the window sealing plate assembly (Air Block - optional accessories).



3. Pull the pipe towards the window and insert it into the hole in Air Block seal.

4. Install the body

Move the machine with installed heat pipe and place it in front of the window. The distance between the body and walls or other objects should be at least 50 cm.



NOTICE

- The pipe cannot be distorted nor has substantial turning (greater than 45°). Keep the ventilation of the heat pipe unobstructed.

IMPORTANT NOTICE

The length of the exhaust hose shall be 280-1,500mm, and this length is based on the specifications of the air conditioning. Do not use extension tubes or replace it with other different hoses, or this may cause a malfunction.

Obsah je uzamčen

Dokončete, prosím, proces objednávky.

Následně budete mít přístup k celému dokumentu.



Proč je dokument uzamčen? Nahněvat Vás rozhodně nechceme. Jsou k tomu dva hlavní důvody:

- 1) Vytvořit a udržovat obsáhlou databázi návodů stojí nejen spoustu úsilí a času, ale i finanční prostředky. Dělali byste to Vy zadarmo? Ne*. Zakoupením této služby obdržíte úplný návod a podpoříte provoz a rozvoj našich stránek. Třeba se Vám to bude ještě někdy hodit.

**) Možná zpočátku ano. Ale vězte, že dotovat to dlouhodobě nelze. A rozhodně na tom nezbohatneme.*

- 2) Pak jsou tady „roboti“, kteří se přiživují na naší práci a „vysávají“ výsledky našeho úsilí pro svůj prospěch. Tímto krokem se jim to snažíme překazit.

A pokud nemáte zájem, respektujeme to. Urgujte svého prodejce. A když neuspějete, rádi Vás uvidíme!