



# Russell Hobbs



GB

DE

FR

NL

IT

ES

PT

DK

SE

NO

FI

RU

CZ

SK

PL

HR

SI

GR

HU

TR

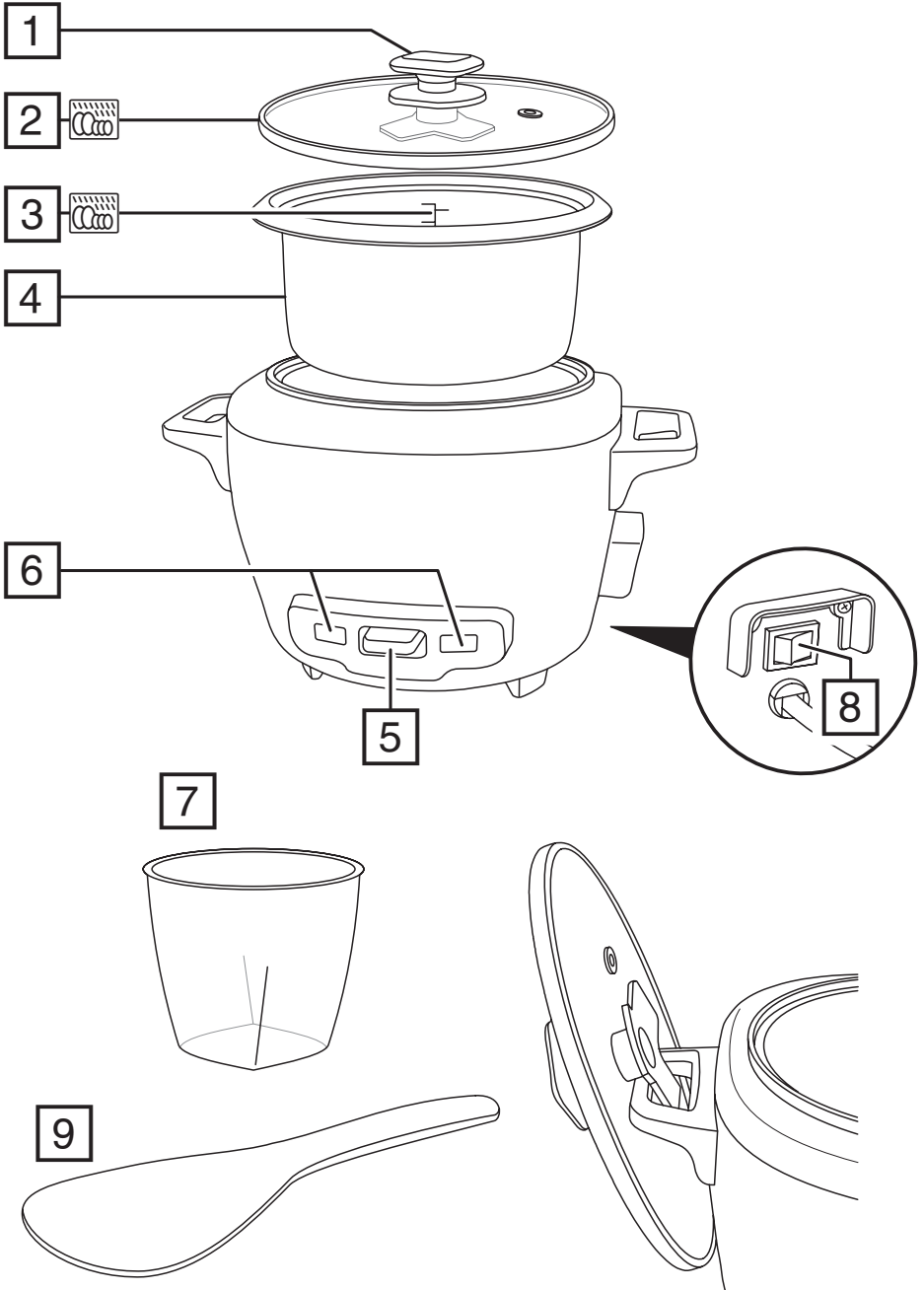
RO

BG

AE

**27020-56**

 [www.russellhobbs.com](http://www.russellhobbs.com)



Read the instructions, keep them safe, pass them on if you pass the appliance on. Remove all packaging before use.




---


## IMPORTANT SAFEGUARDS

Follow basic safety precautions, including:

This appliance can be used by children aged from 8 years and above and persons with reduced physical, sensory or mental capabilities or lack of experience and knowledge if they have been supervised/instructed and understand the hazards involved. Children shall not play with the appliance. Cleaning and user maintenance shall not be done by children unless they are older than 8 and supervised. Keep the appliance and cable out of reach of children under 8 years.

If the cable is damaged, it must be replaced by the manufacturer, its service agent, or someone similarly qualified, to avoid hazard.

 The surfaces of the appliance will get hot.

 Do not use this appliance near bathtubs, showers, basins or other vessels containing water.

- Don't put frozen meat or poultry in the appliance – defrost fully before use.
- Cook meat, poultry, and derivatives (mince, burgers, etc.) till the juices run clear. Cook fish till the flesh is opaque throughout.
- Don't try to cook anything in the body of the cooker – cook only in the removable bowl.
- Don't reach over the appliance, and keep hands, arms, face, etc. clear of the escaping steam.
- Fill with at least 1 cup of water.
- Don't fill above the top of the fill mark.
- Don't cover the appliance or put anything on top of it.
- Unplug the appliance when not in use.
- Don't use accessories or attachments other than those we supply.
- Don't use the appliance for any purpose other than those described in these instructions.
- Don't use the appliance if it's damaged or malfunctions.

## HOUSEHOLD USE ONLY

---

## PARTS

- |              |  |
|--------------|--|
| 1. Knob      | 6. Lights  |
| 2. Lid       | 7. Measuring cup   |
| 3. Fill mark | 8. On/off switch   |
| 4. Bowl      | 9. Spatula   |
| 5. Switch    |  You may wash these parts in a dishwasher |

---

## BEFORE USING FOR THE FIRST TIME

Wash the bowl and lid in warm soapy water, rinse and dry.

---

## PREPARATION

1. Sit the appliance on a stable, level, heat-resistant surface, near a power socket.

# Obsah je uzamčen

**Dokončete, prosím, proces objednávky.**

**Následně budete mít přístup k celému dokumentu.**



**Proč je dokument uzamčen? Nahněvat Vás rozhodně nechceme. Jsou k tomu dva hlavní důvody:**

1) Vytvořit a udržovat obsáhlou databázi návodů stojí nejen spoustu úsilí a času, ale i finanční prostředky. Dělali byste to Vy zadarmo? Ne\*. Zakoupením této služby obdržíte úplný návod a podpoříte provoz a rozvoj našich stránek. Třeba se Vám to bude ještě někdy hodit.

*\*) Možná zpočátku ano. Ale vězte, že dotovat to dlouhodobě nelze. A rozhodně na tom nezbohatneme.*

2) Pak jsou tady „roboti“, kteří se přiživují na naší práci a „vysávají“ výsledky našeho úsilí pro svůj prospěch. Tímto krokem se jim to snažíme překazit.

A pokud nemáte zájem, respektujeme to. Urgujte svého prodejce. A když neuspějete, rádi Vás uvidíme!