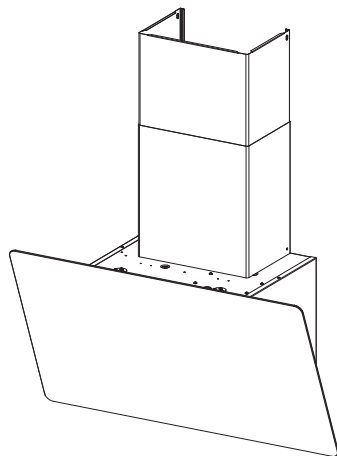


EN	COOKER HOOD
DE	DUNSTABZUGSHAUBE
FR	HOTTE DE CUISINE
NL	AFZUIGKAP
ES	CAMPANA
PT	EXAUSTOR
IT	CAPPA
SV	SPISFLÄKT
NO	KJØKKENVIFTE
FI	LIESITUULETIN
DA	EMHÆTTE
RU	ВЫТЯЖКА
ET	PLIIDIKUMM
LV	TVAIKU NOSŪCĒJS
LT	DANGTIS
UK	ВИТЯЖКА
HU	PÁRAELSZÍVÓ
CZ	ODSAVAČ PAR
SK	KAPUCŇA
RO	CARTIER
PL	OKAP KUCHENNY
HR	NAPA
SL	NAPA
GR	ΑΠΟΡΡΟΦΗΤΗΡΑΣ
TR	OSAK DAVLUMBAZ
BG	АСПИРАТОРА
KK	СОРЫП
MK	АСПИРАТОРОТ
SQ	KARAK TENXHERE
SR	КУХИЊСКОГ АСПИРАТОРА
AR	مدخنة



<b>EN</b>	USER MANUAL .....	3
<b>DE</b>	GEBRAUCHSANLEITUNG .....	6
<b>FR</b>	MANUEL D'UTILISATION .....	9
<b>NL</b>	GEBRUIKSAANWIJZING .....	12
<b>ES</b>	MANUAL DE USO .....	15
<b>PT</b>	LIVRO DE INSTRUÇÕES PARA UTILIZAÇÃO .....	18
<b>IT</b>	LIBRETTO DI USO .....	21
<b>SV</b>	ANVÄNDNINGSHANDBOK .....	24
<b>NO</b>	BRUKSVEILEDNING .....	27
<b>FI</b>	KÄYTTÖOHJEET .....	30
<b>DA</b>	BRUGSVEJLEDNING .....	33
<b>RU</b>	РУКОВОДСТВО ПО ЭКСПЛУАТАЦИИ .....	36
<b>ET</b>	KASUTUSJUHEND .....	39
<b>LV</b>	LIETOŠANAS PAMĀCĪBA .....	42
<b>LT</b>	NAUDOTOJO VADOVAS .....	45
<b>UK</b>	ІНСТРУКЦІЯ З ЕКСПЛУАТАЦІЇ .....	48
<b>HU</b>	HASZNÁLATI ÚTMUTATÓ .....	51
<b>CZ</b>	NÁVOD K POUŽITÍ .....	54
<b>SK</b>	NÁVOD NA POUŽÍVANIE .....	57
<b>RO</b>	MANUAL DE FOLOSIRE .....	60
<b>PL</b>	INSTRUKCJA UŻYTKOWANIA .....	63
<b>HR</b>	KNJIŽICA S UPUTAMA .....	66
<b>SL</b>	NAVODILO ZA UPORABO .....	69
<b>GR</b>	ΟΔΗΓΙΕΣ ΧΡΗΣΗΣ .....	72
<b>TR</b>	KULLANIM KİTAPÇIĞI .....	75
<b>BG</b>	РЪКОВОДСТВО НА ПОТРЕБИТЕЛЯ .....	78
<b>KK</b>	ПАЙДАЛАНУШЫ НҮСҚАУЛЫҒЫ .....	81
<b>MK</b>	УПАТСТВО ЗА КОРИСНИК .....	84
<b>SQ</b>	UDHËZUES PËR PËRDORIMIN .....	87
<b>SR</b>	КОРИСНИЧКО УПУТСТВО .....	90
<b>AR</b>	.....	93

## EN Recommendations and suggestions

---

- The Instructions for Use apply to several versions of this appliance. Accordingly, you may find descriptions of individual features that do not apply to your specific appliance.
- The manufacturer will not be held liable for any damages resulting from incorrect or improper installation.
- The minimum safety distance between the cooker top and the extractor hood is 650 mm (some models can be installed at a lower height, please refer to the paragraphs on working dimensions and installation).
- Check that the mains voltage corresponds to that indicated on the rating plate fixed to the inside of the hood.
- For Class I appliances, check that the domestic power supply guarantees adequate earthing. Connect the extractor to the exhaust flue through a pipe of minimum diameter 120 mm. The route of the flue must be as short as possible.
- Do not connect the extractor hood to exhaust ducts carrying combustion fumes (boilers, fireplaces, etc.).
- If the extractor is used in conjunction with non-electrical appliances (e.g. gas burning appliances), a sufficient degree of aeration must be guaranteed in the room in order to prevent the backflow of exhaust gas. The kitchen must have an opening communicating directly with the open air in order

to guarantee the entry of clean air. When the cooker hood is used in conjunction with appliances supplied with energy other than electric, the negative pressure in the room must not exceed 0,04 mbar to prevent fumes being drawn back into the room by the cooker hood.

- In the event of damage to the power cable, it must be replaced by the manufacturer or by the technical service department, in order to prevent any risks.
  - If the instructions for installation for the gas hob specify a greater distance specified above, this has to be taken into account. Regulations concerning the discharge of air have to be fulfilled.
  - Use only screws and small parts in support of the hood.
- Warning:** Failure to install the screws or fixing device in accordance with these instructions may result in electrical hazards.
- Connect the hood to the mains through a two-pole switch having a contact gap of at least 3 mm.

## Use

---

- The extractor hood has been designed exclusively for domestic use to eliminate kitchen smells.
- Never use the hood for purposes other than for which it has been designed.
- Never leave high naked flames under the hood when it is in operation.
- Adjust the flame intensity to direct it onto the bottom of the pan only,

# Obsah je uzamčen

**Dokončete, prosím, proces objednávky.**

**Následně budete mít přístup k celému dokumentu.**



**Proč je dokument uzamčen? Nahněvat Vás rozhodně nechceme. Jsou k tomu dva hlavní důvody:**

- 1) Vytvořit a udržovat obsáhlou databázi návodů stojí nejen spoustu úsilí a času, ale i finanční prostředky. Dělali byste to Vy zadarmo? Ne\*. Zakoupením této služby obdržíte úplný návod a podpoříte provoz a rozvoj našich stránek. Třeba se Vám to bude ještě někdy hodit.

*\*) Možná zpočátku ano. Ale vězte, že dotovat to dlouhodobě nelze. A rozhodně na tom nezbohatneme.*

- 2) Pak jsou tady „roboti“, kteří se přiživují na naší práci a „vysávají“ výsledky našeho úsilí pro svůj prospěch. Tímto krokem se jim to snažíme překazit.

A pokud nemáte zájem, respektujeme to. Urgujte svého prodejce. A když neuspějete, rádi Vás uvidíme!