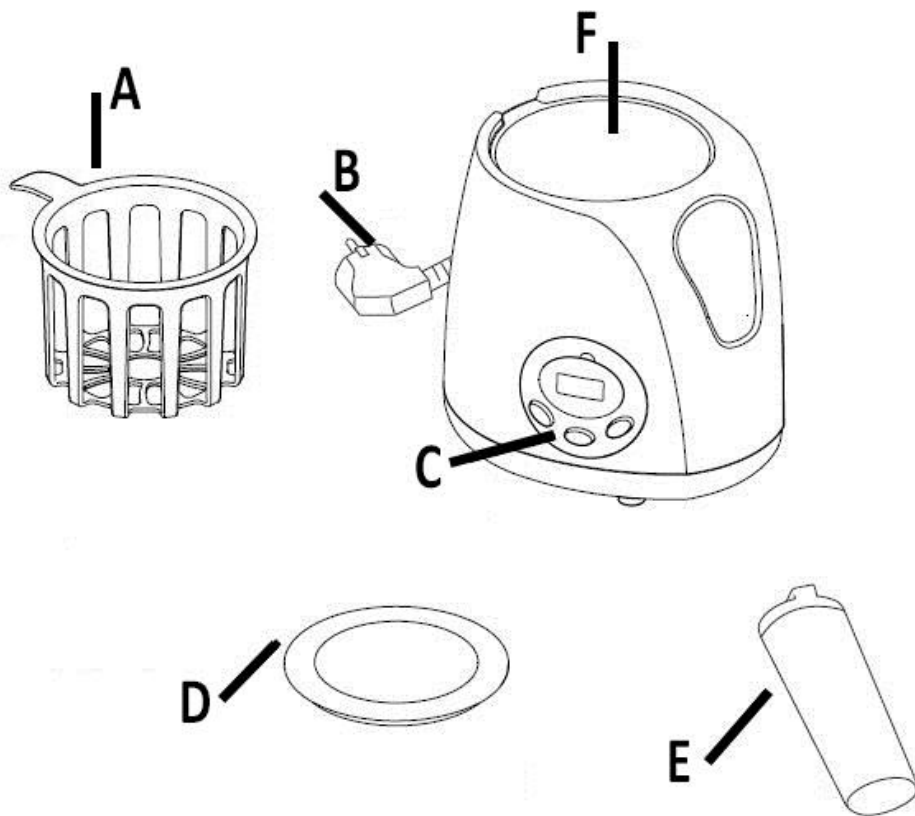


# B-Bottle Warmer Superfast Digital Home

(Manual - Handleiding - Mode d'emploi - Gebrauchsanleitung- Instrucciones de uso - Instruções de utilização - Istruzioni per l'uso - Návod k použití)



English p3, Nederlands p6, Français p9, Deutsch p12  
Español p15, Português p18, Italiano p21, Čeština p24



<p><b>Parts:</b>  <b>a</b> – Holder for jar or bottle  <b>b</b> – Plug  <b>c</b> – Control panel  <b>d</b> – Adaptor ring  <b>e</b> – Measuring cup  <b>f</b> – Warmer base</p>	<p><b>Onderdelen:</b>  <b>a</b> – Mandje voor potje of zuigfles  <b>b</b> – Stekker  <b>c</b> – Bedieningspaneel  <b>d</b> – Aanpasring  <b>e</b> – Maatbeker  <b>f</b> – Reservoir</p>	<p><b>Pièces:</b>  <b>a</b> – Panier pour petit pot ou biberon  <b>b</b> – Fiche  <b>c</b> – Panneau de commande  <b>d</b> – Anneau d’adaptation  <b>e</b> – Dosette graduée  <b>f</b> – Réservoir</p>	<p><b>Teile:</b>  <b>a</b> - Halter für Glas oder Flasche  <b>b</b> - Stecker  <b>c</b> - Systemsteuerung  <b>d</b> - Adapterring  <b>e</b> - Messbecher  <b>f</b> - Heizplatte</p>
<p><b>Partes:</b>  <b>a</b> – Cestillo para biberones o potitos  <b>b</b> - Enchufe  <b>c</b> - Panel de control  <b>d</b> - Anillo de adaptación  <b>e</b> – Vaso dosificador  <b>f</b> - Recipiente</p>	<p><b>Peças:</b>  <b>a</b> - Suporte para biberões o boiões  <b>b</b> - Ficha  <b>c</b> - Painel de controle  <b>d</b> - Anel adaptador  <b>e</b> - Copo de medição  <b>f</b> - Recipiente</p>	<p><b>Pezzi:</b>  <b>a</b> - Supporto per biberon o vasetti  <b>b</b> - Spina  <b>c</b> - Pannelo di controllo  <b>d</b> - Anello adattatore  <b>e</b> – Tazza di misura  <b>f</b> - Recipiente</p>	<p><b>Části:</b>  <b>a</b> - Držák na sklenici či láhev  <b>b</b> - Zástrčka  <b>c</b> - Ovládací panel  <b>d</b> - Kroužek adaptéru  <b>e</b> - Odměrka  <b>f</b> - Ohřívací základna</p>

**Thank you for choosing the Bo Jungle bottle warmer, we are convinced that you will be fully satisfied with our product.**

**Please take a few minutes to carefully read through these instructions before using the product and keep them for future use.**

## TECHNICAL SPECIFICATIONS

Power supply	220 - 240 V – 50 Hz
Power consumption	500 W

## IMPORTANT SAFETY INSTRUCTIONS – PLEASE READ THESE CAREFULLY:

- Before using the appliance for the first time, check if the electrical power supply voltage corresponds to the voltage that is mentioned at the bottom of the appliance.
- Always place the appliance out of the reach of children and ensure it is placed on a flat and dry surface.
- Make sure the power cord is also out of the reach of children. Do not let them to play with the appliance.
- Always ensure there is an appropriate amount of water in the appliance.
- Never immerse the device in water or any other liquid.
- Never add any other products or substances to the water in the appliance. This might damage it.
- Both the appliance itself and the bottles or jars that are in it may become very warm when it is switched on. Therefore, never move it while it is in operation or when it contains hot water, never touch the inside of the warmer base during or shortly after use. Whilst the appliance is in operation, touch only the control panel.
- Never heat baby food more than once and do not overheat it, as this encourages the development of germs and might also create hot spots, which reduce the quality of the milk.
- After use, let the machine cool down for at least 15 minutes before using it again. Unplug it after use.
- ALWAYS use the holder for jars and bottles. The ring of the bottles should be slightly loosened and the lids of jars of baby food should be removed before heating.



### IMPORTANT

Children or persons with physical, sensory or mental impairments should not be allowed to use this appliance unless they are being supervised by an adult who is responsible for their safety.



After heating, **ALWAYS** check the temperature of the food before giving it to your child. Mix the contents of the jar or shake the bottle. In the case of a bottle, pour a drop of milk onto the inside of your wrist to test the temperature. In the case of a jar, taste the food before giving it to your baby, as with a jar, the temperature can even get much higher.

## OPERATING INSTRUCTIONS

1. Plug the appliance in
2. Pour the appropriate amount of water into the warmer base (F) using the measuring cup (E, see paragraph GUIDELINES)
3. Insert the bottle and jar holder (A) in the warmer base (F)
4. Insert the bottle in the holder (A); if you are using a standard/small bottle, place the adaptor ring (D) around the bottle to obtain a better heating result
5. When heating a jar of baby food, remove the lid and insert the jar in the holder (A)

# Obsah je uzamčen

**Dokončete, prosím, proces objednávky.**

**Následně budete mít přístup k celému dokumentu.**



**Proč je dokument uzamčen? Nahněvat Vás rozhodně nechceme. Jsou k tomu dva hlavní důvody:**

- 1) Vytvořit a udržovat obsáhlou databázi návodů stojí nejen spoustu úsilí a času, ale i finanční prostředky. Dělali byste to Vy zadarmo? Ne\*. Zakoupením této služby obdržíte úplný návod a podpoříte provoz a rozvoj našich stránek. Třeba se Vám to bude ještě někdy hodit.

*\*) Možná zpočátku ano. Ale vězte, že dotovat to dlouhodobě nelze. A rozhodně na tom nezbohatneme.*

- 2) Pak jsou tady „roboti“, kteří se přiživují na naší práci a „vysávají“ výsledky našeho úsilí pro svůj prospěch. Tímto krokem se jim to snažíme překazit.

A pokud nemáte zájem, respektujeme to. Urgujte svého prodejce. A když neuspějete, rádi Vás uvidíme!