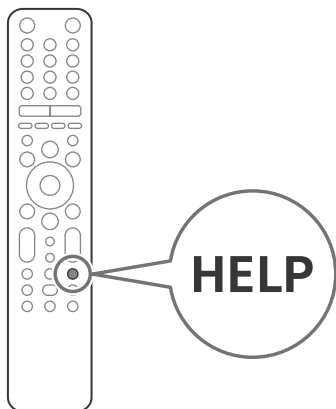


SONY®

5-014-681-11(1)



Television



Reference Guide	GB
Guide de référence	FR
Guía de referencia	ES
Referentiegids	NL
Referenzanleitung	DE
Guia de referència	PT
Guida di riferimento	IT
Referensmaterial	SE
Referencevejledning	DK
Viiteopas	FI
Referanseveiledning	NO
Przewodnik	PL
Referenční příručka	CZ
Referenčná príručka	SK
Felhasználói útmutató	HU
Ghid de referință	RO
Информация за продукта	BG
Οδηγός αναφοράς	GR
Başvuru Kılavuzu	TR

BRAVIA

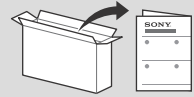
KD-85ZH8 / 75ZH8

About Manuals

This TV comes with the following manuals. Please retain the manuals for future reference.

Setup Guide

- TV installation and setup.



Reference Guide (this manual) / Safety Documentation

- Safety information, remote control, troubleshooting, wall-mount installation, specification, etc.



Help Guide (On screen Manual)

- Settings, Android TV functions, Internet connection, troubleshooting, etc.
- To open it, press the **HELP** button on the remote control and select Help Guide.



- You can refer to the Help Guide with your smartphone.



https://rd1.sony.net/help/tv/haep1/h_aep/

IMPORTANT – Read the End User Software Licence Agreement before using your Sony product. Using your product indicates your acceptance of the End User Software Licence Agreement. The software licence agreement between you and Sony is available online at Sony website (<http://www.sony.net/tv-software-licenses/>) or on your product screen. Go to [Settings] → [Device Preferences] → [About] → [Legal information] → [Notices and licences].

Note

- Before operating the TV, please read the "Safety Information".
- Read the supplied safety documentation for additional safety information.
- Images and illustrations used in the Setup Guide and this manual are for reference only and may differ from the actual product.
- The "xx" that appears in the model name corresponds to a numeric digit, related to design, colour or TV system.

Location of the identification label

Labels for the TV Model No., Production Date (year/month) and Power Supply rating are located on the rear of the TV or package. They can be found by removing the terminal cover.

IMPORTANT NOTICE

Notice for Radio Equipment

Hereby, Sony Corporation declares that the radio equipment types KD-85ZH8, KD-75ZH8 are in compliance with Directive 2014/53/EU. The full text of the EU declaration of conformity is available at the following internet address:
<http://www.compliance.sony.eu/>

Notice for customers: the following information is only applicable to equipment sold in countries applying EU directives.

For this radio equipment, the following restrictions on putting into service or of requirements for authorization of use apply in AT, BE, HR, CY, CZ, DK, EE, FI, FR, DE, EL, HU, IE, IT, LV, LT, LU, MT, NL, PL, PT, SK, SI, ES, SE, UK, IS, LI, NO, CH, BG, RO, TR, AL, BA, MK, MD, RS, ME, Kosovo :

5150 - 5350 MHz band is restricted to indoor operations only.

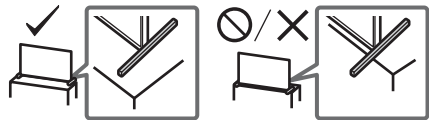
Safety Information

Installation/Set-up

Install and use the TV set in accordance with the instructions below in order to avoid any risk of fire, electric shock or damage and/or injuries.

Installation

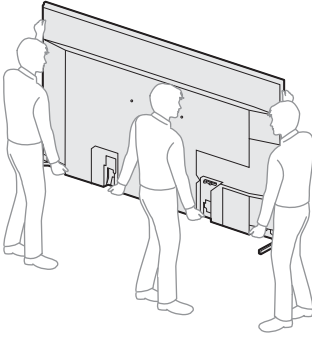
- The TV set should be installed near an easily accessible mains socket.
- Place the TV set on a stable, level surface to prevent it from falling over and causing personal injury or property damage.
- Install the TV where it cannot be pulled, pushed, or knocked over.
- Install the TV so that the TV's Table-Top Stand does not protrude out from the TV stand (not supplied). If the Table-Top Stand protrudes out from the TV stand, it may cause TV set to topple over, fall down, and cause personal injury or damage to the TV.



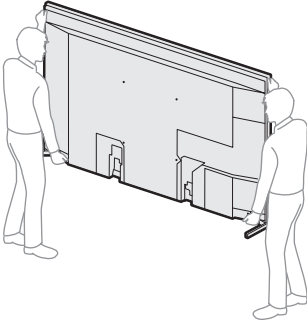
Transporting

- Before transporting the TV set, disconnect all cables.
- Two or more people (three or more people for KD-85ZH8) are needed to transport a large TV set.
- When transporting the TV set by hand, hold it as shown below. Do not put stress on the LCD panel and the frame around the screen.

KD-85ZH8

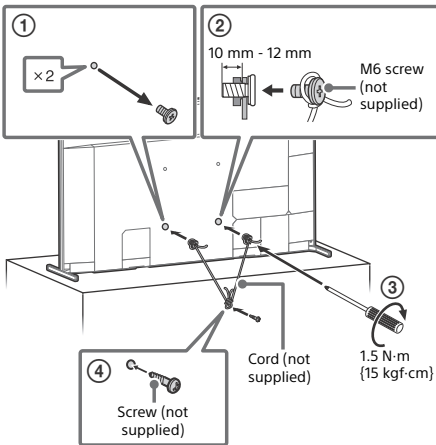


KD-75ZH8

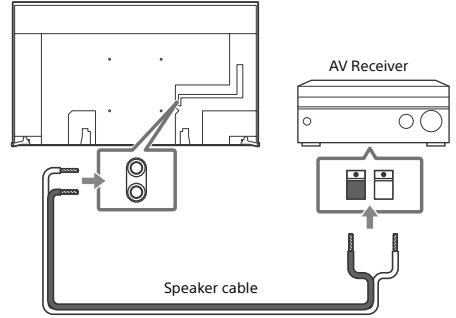


- When transporting the TV set, do not subject it to jolts or excessive vibration.
- When transporting the TV set for repairs or when moving, pack it using the original carton and packing material.

Topple prevention

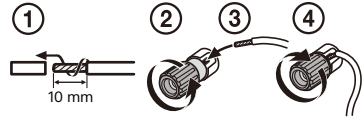


Using TV as Centre Speaker



GB

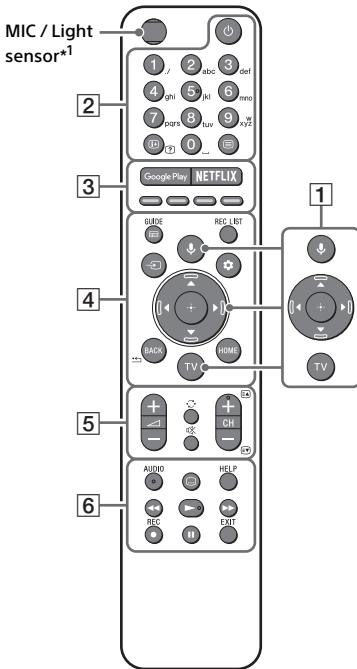
- Before connecting cables, disconnect the mains lead of both TV and AV receiver.
- Make sure the [Speakers] is set to [Audio system].



To prevent hiss when not connecting the CENTER SPEAKER IN to an AV receiver, disable [TV centre speaker mode]. For details, refer to the Help Guide.

Remote Control and TV

The remote control shape, location, availability and function of remote control buttons may vary depending on your region/country/TV model.



1 **🔊 (Microphone):** Use the Google Assistant*²*³ or voice search*³. For hints on how to control your TV press **🔊 (Microphone)** button and speak the phrase "voice hints".*²

▲/▼/◀/▶/⊕: On screen menu navigation and selection.

TV: Display TV channel list or switch to input.

2 **🔌 (TV standby)**

Number buttons

ℹ️/? (Info/Text reveal): Display information.

☰ (Text): Display text information.

3 **Google Play / NETFLIX*² / Colour buttons**

4 **GUIDE/☰:** Display the digital programme guide of TV or TV box*²*⁴.

REC LIST: Display the Rec list of USB HDD/DVR*⁴.

→ (Input select): Display and select the input source, etc.

⚙️ (Quick settings): Display Quick Settings.

BACK/←

HOME

5 **↔️ +/- (Volume)**

🔄 (Jump)

🔇 (Mute)*⁵

CH +/-/⏪/⏩: Select the channel, or next (⏪) / previous (⏩) page.

6 **AUDIO:** Select the sound of multilingual source or dual sound (depend on programme source).

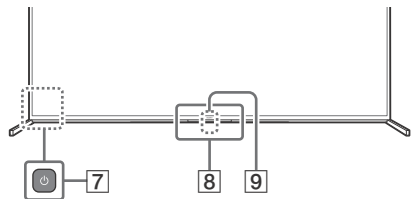
⋮ (Subtitle setting)

HELP: Display the Help menu.

⏮️/⏭️/⏮️/⏭️/⏸️

● REC: Record the currently viewed programme on USB HDD/DVR*⁴.

EXIT



7 **🔌 (Power)**

8 **Remote Control sensor / Light sensor / LED*⁶**

9 **Built-in MIC*²*³*⁷:** To enable the built-in MIC, press **🔊 (Microphone)** button on the remote control and follow the on-screen instructions.

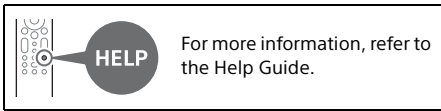
*1 The remote control backlight will illuminate when the light sensor detects the ambient light is low. Automatic illumination of the backlight can be turned off.

*2 Only on limited region/country/TV model/language.

*3 The Google Assistant or voice search requires an Internet connection.

*4 [TV box setup] setting is required.

- *5 Accessibility shortcut is available by pressing and holding MUTE (Mute).
- *6 The built-in MIC LED is also included.
- *7 Standby power consumption will increase because the built-in MIC is always listening when it is enabled.



Installing the TV to the Wall

Using the optional Wall-Mount Bracket (SU-WL450)* (not supplied)

To Customers:

For product protection and safety reasons, Sony strongly recommends that installation of your TV be performed by Sony dealers or licensed contractors. Do not attempt to install it yourself.

To Sony Dealers and Contractors:

Provide full attention to safety during the installation, periodic maintenance and examination of this product.

Wall-Mount Bracket Installation Information

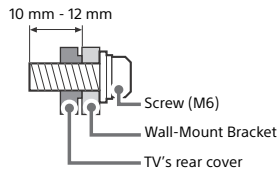
This TV's instruction manual only provides the steps to prepare the TV for Wall-Mount installation before it is installed on the wall. For instructions on Wall-Mount Bracket installation, see the Installation Information (Wall-Mount Bracket) on the product page for your TV model. <https://www.sony.eu/support>

Preparing for Wall-Mount Installation

Make sure to attach the Table-Top Stand before installing the TV to the wall by referring to the Setup Guide.

- Prepare the TV for the Wall-Mount Bracket before making cable connections.
- Follow with the instruction guide provided with the Wall-Mount Bracket for your model. Sufficient expertise is required in installing this TV, especially to determine the strength of the wall for withstanding the TV's weight.
- Be sure to entrust the attachment of this product to the wall to Sony dealers or licensed contractors and pay adequate attention to safety during the installation. Sony is not liable for any damage or injury caused by mishandling or improper installation.
- The screws for Wall-Mount Bracket are not supplied.

- Only qualified service personnel should carry out wall-mount installations.
- For safety reasons, it is strongly recommended that you use Sony accessories, including:
 - Wall-Mount Bracket SU-WL450
- Be sure to use the screws supplied with the Wall-Mount Bracket when attaching the Wall-Mount Bracket to the TV set. The supplied screws are designed as indicated by illustration when measured from the attaching surface of the Wall-Mount Bracket. The diameter and length of the screws differ depending on the Wall-Mount Bracket model. Use of screws other than those supplied may result in internal damage to the TV set or cause it to fall, etc.

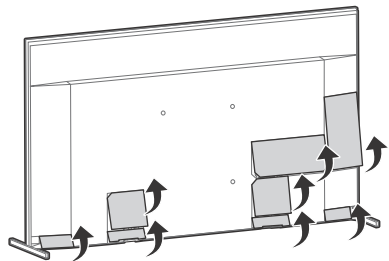


- Be sure to store the unused screws and Table-Top Stand in a safe place until you are ready to attach the Table-Top Stand. Keep the screws away from small children.

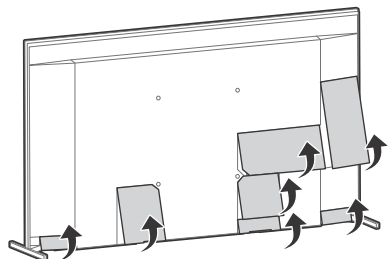
* Only on limited region/country/TV model.

1 Remove the terminal covers.

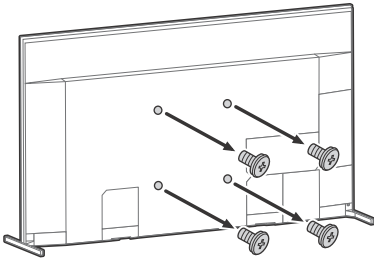
KD-85ZH8




KD-75ZH8



2 Remove the screws from the rear of the TV.





For more information on troubleshooting, refer to the Help Guide.

Troubleshooting

General troubleshooting for issues like: black screen, no sound, frozen picture, TV does not respond, or network is lost, do the following steps.

- 1 Restart your TV by pressing the power button on the remote control for about five seconds. The TV will restart. If the TV does not recover, try unplugging the mains lead. Then press the power button on the TV, and release it. Wait for two minutes, and plug in the mains lead.
- 2 Refer to the Help menu by pressing **HELP** on the remote control.
- 3 Connect your TV to the Internet and perform a software update. Sony recommends you to keep your TV software updated. Software updates provide new features and performance improvements.
- 4 Visit Sony support website (information provided at the end of this manual).

When you plug in the TV, the TV may not be able to turn on for a while even if you press the power button on the remote control or the TV.

It takes time to initialize the system. Wait for about one minute, then operate it again.

The remote control does not function.

- Replace the batteries.

The parental lock password has been forgotten.

- Enter 9999 for the PIN and enter the new PIN.

Specifications

System

Panel system: LCD (Liquid Crystal Display) Panel, LED Backlight

TV system: Depending on your country/area selection/TV model

Analogue: B/G, D/K, I

Digital: DVB-T/DVB-C/DVB-T2*1

Satellite*1: DVB-S/DVB-S2

Colour system: PAL/SECAM/NTSC3.58 (Video only)/NTSC4.43 (Video only)

Channel coverage: Depending on your country/area selection/TV model

Analogue: UHF/VHF/Cable

Digital: UHF/VHF/Cable

Satellite*1: IF Frequency 950-2,150 MHz

Sound output: 12.5 W + 12.5 W + 12.5 W + 12.5 W + 5 W + 5 W

Wireless technology

Protocol IEEE 802.11a/b/g/n/ac

Bluetooth® Version 4.2

Frequency band(s)

Frequency range	Output power
Wireless LAN (TV)	
2400-2483.5 MHz	< 20.0 dBm
5150-5250 MHz	< 23.0 dBm
5250-5350 MHz	< 20.0 dBm
5470-5725 MHz	< 20.0 dBm
5725-5850 MHz	< 13.9 dBm
Bluetooth® (TV)	
2400-2483.5 MHz	< 10.0 dBm
Bluetooth® (Remote control)	
2400-2483.5 MHz	< 10.0 dBm

Input/Output jacks

Antenna (aerial)/cable

75 ohm external terminal for VHF/UHF

Satellite antenna*1

Female F Type Connector, 75 ohm.

DiSEqC 1.0, LNB 13 V/18 V & 22 kHz tone, Single Cable Distribution EN50494.

 /  AV IN

Video/Audio input (mini jack)

HDMI IN 1/2/3/4 (HDCP 2.3-compatible)

Video:

4096 × 2160p (50, 60 Hz)^{*2*3}, 4096 × 2160p (24 Hz)^{*2}, 3840 × 2160p (50, 60 Hz)^{*3}, 3840 × 2160p (24, 25, 30 Hz), 1080p (30, 50, 60, 100, 120 Hz), 1080i/24p, 1080i (50, 60 Hz), 720p (30, 50, 60 Hz), 720i/24p, 576p, 480p, PC Formats^{*4}
7680 × 4320p (24, 25, 30, 50, 60 Hz)^{*4*5}, 3840 × 2160p (100, 120 Hz)^{*4*5}

Audio:

In eARC (Enhanced Audio Return Channel) mode

Refer to the Help Guide for details.

Except eARC mode

5.1 channel linear PCM: 32/44.1/48/88.2/96/176.4/192 kHz 16/20/24 bits, Dolby Audio, Dolby Atmos, DTS


eARC/ARC (Enhanced Audio Return Channel/Audio Return Channel) (HDMI IN 3 only)^{*6}

In eARC mode


Refer to the Help Guide for details.

In ARC mode

Two channel linear PCM: 48 kHz 16 bits, Dolby Audio, Dolby Atmos, DTS

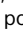
 DIGITAL AUDIO OUT (OPTICAL)

Digital optical jack (Two channel linear PCM: 48 kHz 16 bits, Dolby Audio, DTS)

 (Stereo mini jack)

Headphone

 1,  2,  3 (HDD REC)^{*7}

USB device port ( 3 USB HDD device for REC feature)

USB port 1 and 2 support High Speed USB (USB 2.0)

USB port 3 supports Super Speed USB (USB 3.1 Gen 1)



CAM (Conditional Access Module) slot

 LAN

10BASE-T/100BASE-TX connector (Depending on the operating environment of the network, connection speed may differ. The communication rate and quality are not guaranteed.)

CENTER SPEAKER IN

Centre speaker input (Binding post)

Power, Product Fiche and others

Power requirements

220 V - 240 V AC, 50 Hz

Energy Efficiency Class

KD-85ZH8: C

KD-75ZH8: C

Screen size (measured diagonally) (Approx.)

KD-85ZH8: 214.8 cm / 85 inches

KD-75ZH8: 189.3 cm / 75 inches

Power consumption

In [Standard] mode

KD-85ZH8: 487 W

KD-75ZH8: 361 W

In [Vivid] mode

KD-85ZH8: 815 W

KD-75ZH8: 590 W

Annual energy consumption^{*8}

KD-85ZH8: 675 kWh per year

KD-75ZH8: 501 kWh per year

Standby power consumption^{*9,10}

KD-85ZH8: 0.50 W (63 W in software/EPG update mode)

KD-75ZH8: 0.50 W (52 W in software/EPG update mode)

Display resolution

7,680 dots (horizontal) × 4,320 lines (vertical)

Output Rating

USB 1/2

5 V , 500 mA MAX

USB 3

5 V , 900 mA MAX

Dimensions (Approx.) (w × h × d) (cm)

with Table-Top Stand

Standard position:

KD-85ZH8: 192.0 × 111.7 × 42.8

KD-75ZH8: 169.6 × 98.6 × 35.6

Narrow position:

KD-85ZH8: 190.4 × 112.0 × 42.8

KD-75ZH8: 168.0 × 98.9 × 35.6

without Table-Top Stand

KD-85ZH8: 190.4 × 110.9 × 8.4

KD-75ZH8: 168.0 × 97.7 × 8.4

Stand width (Approx.) (cm)

Standard position:

KD-85ZH8: 192.0

KD-75ZH8: 169.6

Narrow position:

KD-85ZH8: 86.5

KD-75ZH8: 62.3

Mass (Approx.) (kg)

with Table-Top Stand

Standard position:

KD-85ZH8: 67.8

KD-75ZH8: 49.9

Narrow position:

KD-85ZH8: 67.3

KD-75ZH8: 49.4

without Table-Top Stand

KD-85ZH8: 65.6

KD-75ZH8: 47.9

Others

Optional accessories

Wall-Mount Bracket: SU-WL450

Operating temperature: 0 °C – 40 °C

Operating humidity: 10 % – 80 % RH
(non-condensing)

*1 Not all the TV sets have DVB-T2 or DVB-S/S2 technology or satellite antenna terminal.

*2 When 4096 × 2160p is input and [Wide mode] is set to [Normal], the resolution is displayed as 3840 × 2160p. To display 4096 × 2160p, set [Wide mode] setting to [Full 1] or [Full 2].

*3 To support 18 Gbps, set [HDMI signal format] to Enhanced format.

*4 Refer to the online Help Guide for details.

*5 HDMI IN 4 only.

*6 Connect your audio system to the HDMI IN 3 to route TV audio to your audio system.

*7 Only on limited region/country/TV model.

*8 Energy consumption in kWh per year, based on the power consumption of the television operating 4 hours per day for 365 days. The actual energy consumption will depend on how the television is used.

*9 Specified standby power is reached after the TV finishes necessary internal processes.

*10 Standby power consumption will increase when your TV is connected to the network.

Note

- Optional accessories availability depends on countries/region/TV model/stock.
- Design and specifications are subject to change without notice.
- Subscriptions for services and applications may be required and additional terms, conditions and/or charges may apply when using the Google Assistant.

Notes on Digital TV function

- Digital TV (DVB terrestrial, satellite and cable), interactive services and network functions may not be available in all countries or areas. Some functions might not be enabled or might not operate correctly with some providers and network environments. Some TV service providers may charge a fee for their services.

- This TV supports digital broadcasting using MPEG-2, H.264/MPEG-4 AVC and H.265/HEVC codecs, but compatibility with all operator/service signals, which may change over time, cannot be guaranteed.

Trademark Information

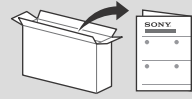
- The terms HDMI, HDMI High-Definition Multimedia Interface, and the HDMI Logo are trademarks or registered trademarks of HDMI Licensing Administrator, Inc.
- Dolby, Dolby Vision, Dolby Atmos, Dolby Audio, and the double-D symbol are trademarks of Dolby Laboratories. Manufactured under license from Dolby Laboratories. Confidential unpublished works. Copyright © 2012-2018 Dolby Laboratories. All rights reserved.
- Gracenote, the Gracenote logo and logotype, "Powered by Gracenote" logo are either registered trademarks or trademarks of Gracenote, Inc. in the United States and/or other countries.
- Google, Google Play, Chromecast, YouTube, Android TV and other related marks and logos are trademarks of Google LLC.
- For DTS patents, see <http://patents.dts.com>. Manufactured under license from DTS, Inc. DTS, the Symbol, DTS and the Symbol together, and Digital Surround are registered trademarks or trademarks of DTS, Inc. in the United States and/or other countries. © DTS, Inc. All Rights Reserved.
- Netflix is a registered trademark of Netflix, Inc.
- DiSEqC™ is a trademark of EUTELSAT. This TV supports DiSEqC 1.0. This TV is not intended for controlling motorized antennas.
- TUXERA is a registered trademark of Tuxera Inc. in the US and other countries.
- All other trademarks are the property of their respective owners.

À propos des manuels

Ce téléviseur est livré avec les manuels suivants. Conservez les manuels à titre de référence.

Guide d'installation

- Installation et configuration du téléviseur.



Guide de référence (ce manuel) / documentation de sécurité

- Consignes de sécurité, télécommande, dépannage, fixation murale, spécifications, etc.



Guide d'aide (Manuel en ligne)

- Paramètres, fonctions Android TV, connexion internet, dépannage, etc.
- Pour l'ouvrir appuyez sur la touche **HELP** de la télécommande et sélectionnez le Guide d'aide.



- Vous pouvez vous reporter au Guide d'aide avec votre smartphone.



https://rd1.sony.net/help/tv/haep1/h_aep/

IMPORTANT – Lisez le Contrat de licence logicielle de l'utilisateur final avant d'utiliser votre produit Sony. Utilisez votre produit indique vous avez accepté le Contrat de licence logicielle de l'utilisateur final. Le contrat de licence logicielle entre vous et Sony est disponible en ligne sur le site Web Sony (<http://www.sony.net/tv-software-licenses/>) ou sur l'écran de votre produit. Allez à [Paramètres] → [Préférences relatives à l'appareil] → [A propos] → [Informations légales] → [Avis et licences].

Remarque

- Avant d'utiliser le téléviseur, lisez les « Consignes de sécurité ».
- Lisez la documentation de sécurité fournie pour plus d'informations de sécurité.
- Les images et illustrations reprises dans ce manuel et dans le Guide d'installation sont fournies pour référence uniquement et peuvent présenter des différences par rapport au produit proprement dit.
- Le « xx » qui apparaît dans le nom de modèle correspond à un chiffre qui désigne la présentation, la couleur ou la norme de télévision.

Emplacement de l'étiquette d'identification

Les étiquettes reprenant le numéro de modèle, la date de production (année/mois) et les caractéristiques nominales de l'alimentation se trouvent à l'arrière du téléviseur ou de l'emballage. Vous les trouverez en retirant le cache des bornes.

AVIS IMPORTANT

Avis concernant les équipements radio

Le soussigné, Sony Corporation, déclare que les équipements radioélectriques de type KD-85ZH8, KD-75ZH8 sont conformes à la directive 2014/53/UE. Le texte complet de la déclaration UE de conformité est disponible à l'adresse internet suivante : <http://www.compliance.sony.eu/>

Avis aux clients : les informations suivantes s'appliquent uniquement aux appareils vendus dans les pays qui appliquent les directives de l'UE.

Pour cet équipement radio, les restrictions de mise en service ou de demandes d'autorisation d'utilisation suivantes s'appliquent en AT, BE, HR, CY, CZ, DK, EE, FI, FR, DE, EL, HU, IE, IT, LV, LT, LU, MT, NL, PL, PT, SK, SI, ES, SE, UK, IS, LI, NO, CH, BG, RO, TR, AL, BA, MK, MD, RS, ME, Kosovo :

La bande 5 150 - 5 350 MHz est limitée aux utilisations en intérieur uniquement.

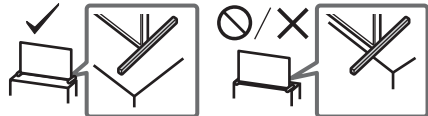
Consignes de sécurité

Installation/Mise en place

Installez et utilisez le téléviseur conformément aux instructions ci-dessous afin d'éviter tout risque d'incendie, d'électrocution ou autre dommage et/ou blessure.

Installation

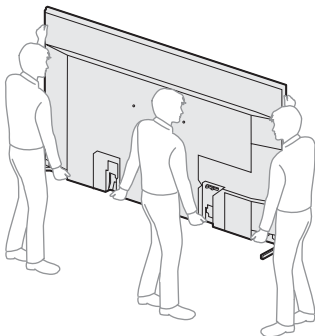
- Le téléviseur doit être installé à proximité d'une prise de courant aisément accessible.
- Positionnez le téléviseur sur une surface stable et horizontale afin d'éviter qu'il ne tombe, n'entraîne des blessures ou n'endommage des biens.
- Installez le téléviseur dans un endroit où vous ne risquez pas de le pousser, de le tirer ou de le renverser.
- Installez le téléviseur de façon à ce que son support de table ne dépasse pas du support TV (non fourni). Si le support de table dépasse du support TV, le téléviseur risque d'être renversé, de tomber, d'être endommagé ou de provoquer des blessures.



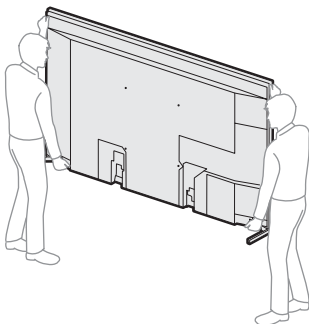
Transport

- Avant de transporter le téléviseur, débranchez tous ses câbles.
- La présence de deux personnes ou plus (trois personnes ou plus pour KD-85ZH8) est nécessaire pour le transport des téléviseurs de grande taille.
- Pour transporter le téléviseur à la main, saisissez-le de la manière illustrée. N'exercez aucune pression sur le panneau LCD ni sur le cadre qui entoure l'écran.

KD-85ZH8

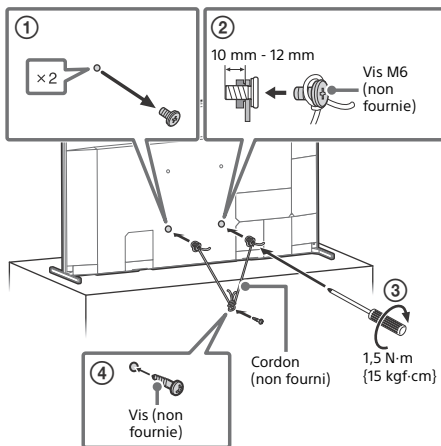


KD-75ZH8

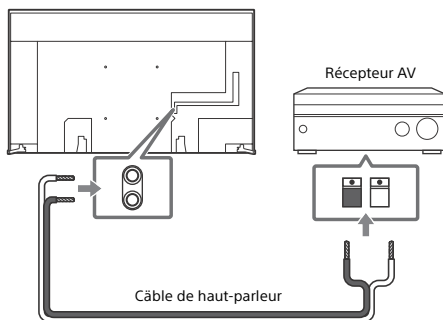


- Lorsque vous transportez le téléviseur, ne le soumettez pas à des secousses ou des vibrations excessives.
- Lorsque vous transportez le téléviseur pour le porter à réparer ou lorsque vous déménagez, glissez-le dans son emballage et son carton d'origine.

Prévention des basculements

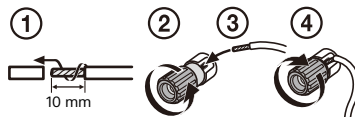


Utilisation du téléviseur comme haut-parleur central



FR

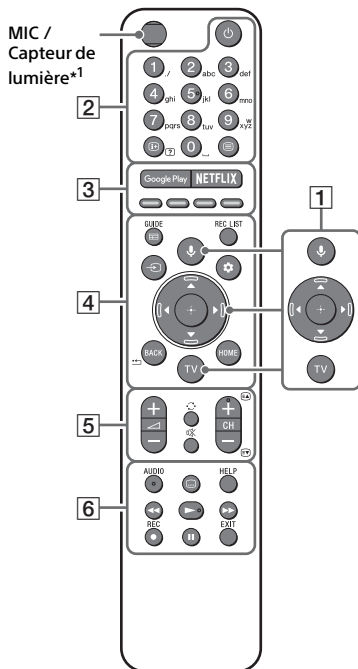
- Avant de raccorder des câbles, débranchez le cordon d'alimentation du téléviseur et du récepteur AV.
- Assurez-vous que [Haut-parleurs] est réglé sur [Système audio].



Pour éviter tout sifflement quand CENTER SPEAKER IN n'est pas connecté à un récepteur AV, désactivez [Mode haut-parleur central TV]. Pour plus de détails, consultez le Guide d'aide.

Télécommande et téléviseur

La forme de la télécommande, l'emplacement, la disponibilité et la fonction des touches de la télécommande peuvent varier selon votre région/pays/modèle de téléviseur.



1 **🔊 (Microphone)** : Utilise l'Assistant Google*²*³ ou la recherche vocale*³. Pour avoir des conseils sur la commande de votre téléviseur, appuyez sur la touche **🔊** (Microphone) et dites la phrase « amène-moi sur le guide audio ».*²

▲/▼/◀/▶/⊕ : Navigation et sélection du menu à l'écran.

TV : Affiche la liste des chaînes de télévision ou commute l'entrée.

2 **🔌 (Veille du téléviseur)**

Touches numériques

🔍/? (**Affichage des infos/du Télétexte**) : Affichez des informations.

☰ (**Télétexte**) : Affichez les informations de Télétexte.

3 **Google Play / NETFLIX*² / Touches de couleurs**

4 **GUIDE/☰** : Affiche le guide des programmes numériques du téléviseur ou du Décodeur Câble/Satellite*²*⁴.

REC LIST : Pour afficher la liste des enregistrements du disque dur USB/DVR*⁴.

➡ (**Sélection de l'entrée**) : Pour afficher et sélectionner la source d'entrée, etc.

⚙️ (Paramètres rapides) : Pour afficher les Paramètres rapides.

BACK/⬅️

HOME

5 **↔️ +/- (Volume)**

⏩ (Saut)

🔇 (Coupure du son)*⁵

CH +/-/⏪/⏩ : Sélectionne la chaîne, ou la page suivante (⏪) / précédente (⏩).

6 **AUDIO** : Pour sélectionner le son d'une source multilingue ou un double son (selon la source du programme).

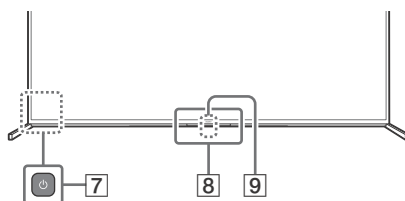
⋮ (Réglage des sous-titres)

HELP : Affichez le menu Aide.

⏮️/⏪/⏩/⏭️

● REC : Pour enregistrer le programme en cours de visionnage sur le disque dur USB/DVR*⁴.

EXIT

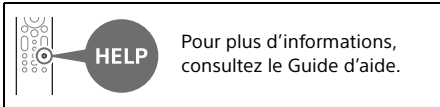


7 **🔌 (Alimentation)**

8 **Capteur de télécommande / Capteur de lumière / LED*⁶**

9 **MICRO intégré*²*³*⁷** : Pour activer le MICRO intégré, appuyez sur le bouton **🔊** (Microphone) sur la télécommande et suivez les instructions sur l'écran.

- *1 Le rétroéclairage de la télécommande s'allume lorsque le capteur de lumière détecte que la lumière ambiante est faible. L'allumage automatique du rétroéclairage peut être mis hors tension.
- *2 Uniquement pour certaines régions, certains pays, certains modèles de téléviseur ou certaines langues.
- *3 L'Assistant Google ou la recherche vocale nécessite une connexion à Internet.
- *4 Le réglage [Configuration de votre décodeur Câble/ Satellite] est nécessaire.
- *5 Le raccourci de l'accessibilité est disponible en maintenant enfoncé ⌘ (Coupure du son).
- *6 La LED du MICRO intégré est comprise aussi.
- *7 La consommation électrique en veille augmentera, car le MICRO intégré reste à l'écoute lorsqu'il est activé.



Installation du téléviseur au mur

Utilisation du Support de fixation murale en option (SU-WL450)* (non fourni)

A l'attention des clients :

Pour protéger le produit et pour des raisons de sécurité, Sony conseille vivement de confier l'installation de votre téléviseur à des revendeurs ou des installateurs agréés Sony. N'essayez pas de l'installer vous-même.

A l'attention des revendeurs et installateurs Sony :

Soyez particulièrement attentif à la sécurité pendant l'installation, l'entretien périodique et l'examen du produit.

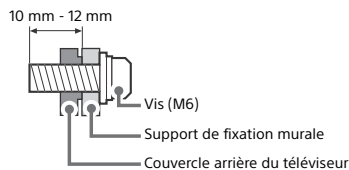
Informations sur l'installation du Support de fixation murale

Ce mode d'emploi du téléviseur illustre uniquement les étapes nécessaires à la préparation du téléviseur pour son installation murale avant sa fixation au mur. Pour obtenir les instructions de l'installation du Support de fixation murale, veuillez vous reporter à la section Informations sur l'installation (Support de fixation murale) sur la page du produit correspondant à votre modèle de téléviseur. <https://www.sony.eu/support>

Préparation à l'installation murale

Assurez-vous de fixer le support de table avant d'installer le téléviseur au mur en vous reportant au Guide d'installation.

- Préparez le téléviseur pour le Support de fixation murale avant d'effectuer les raccordements de câbles.
- Suivez le guide d'instructions fourni avec le Support de fixation murale concernant votre modèle. Une expertise suffisante est nécessaire pour réussir l'installation du téléviseur, notamment pour déterminer la résistance du mur au poids du téléviseur.
- Veillez à confier la fixation de ce produit au mur à un revendeur Sony ou un installateur agréé et apportez une attention suffisante à la sécurité pendant l'installation. Sony n'est responsable d'aucun dégât ou blessure provoqué par une erreur de manipulation ou installation incorrecte.
- Les vis pour le Support de fixation murale ne sont pas fournies.
- L'installation murale du téléviseur doit être confiée à un technicien spécialisé.
- Pour des raisons de sécurité, il est vivement recommandé d'utiliser les accessoires Sony, notamment :
 - Support de fixation murale SU-WL450
- Veillez à bien utiliser les vis fournies avec le Support de fixation murale lors de la mise en place du Support de fixation murale sur le téléviseur. Les vis fournies sont conçues de la manière illustrée, mesurées à partir de la surface de fixation du Support de fixation murale. Leur diamètre et leur longueur varient suivant le modèle de Support de fixation murale. L'utilisation de vis autres que celles fournies peut occasionner des dégâts à l'intérieur du téléviseur ou provoquer sa chute, etc.

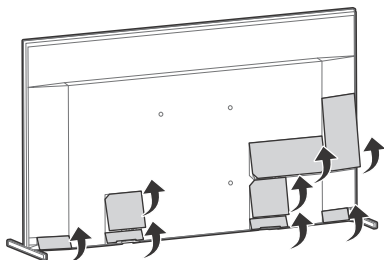


- Veillez à conserver les vis inutilisées et le support de table en lieu sûr jusqu'à ce que vous soyez prêt à fixer le support de table. Gardez les vis hors de portée des jeunes enfants.

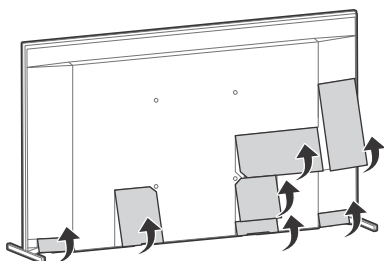
* Uniquement pour certaines régions, certains pays ou certains modèles de téléviseur.

1 Retirez les caches de bornes.

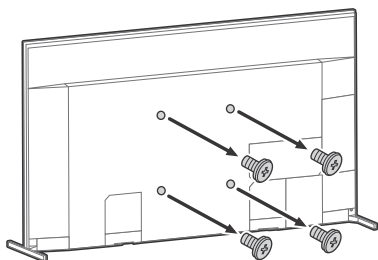
KD-85ZH8



KD-75ZH8



2 Retirez les vis à l'arrière du téléviseur.



Dépannage

Pour les dépannages généraux tels que : écran noir, absence de son, image figée, téléviseur ne réagissant plus pas de réaction du téléviseur ou perte de réseau, suivez les étapes ci-après.

- 1 Redémarrez votre téléviseur en appuyant sur la touche de mise en marche de la télécommande pendant environ cinq secondes. Le téléviseur redémarre. Si le téléviseur n'est pas remis en état, essayez de débrancher le cordon d'alimentation secteur. Puis appuyez sur le touche de mise en marche du téléviseur et relâchez-la. Attendez deux minutes et branchez le cordon d'alimentation secteur.
- 2 Consultez le menu d'aide en appuyant sur la touche **HELP** de la télécommande.
- 3 Raccordez votre téléviseur à Internet et effectuez une mise à jour du logiciel. Sony vous recommande de mettre à jour le logiciel de votre téléviseur régulièrement. Les mises à jour fournissent de nouvelles fonctionnalités et améliorent les performances.
- 4 Allez sur le site Web d'assistance Sony (informations fournies à la fin de ce manuel).

Lorsque vous branchez le téléviseur, il est possible que vous ne puissiez pas allumer le téléviseur immédiatement même si vous appuyez sur la touche de mise en marche de la télécommande ou du téléviseur.


L'initialisation du système prend du temps. Attendez environ une minute, puis utilisez-le normalement.

La télécommande ne fonctionne pas.

- Remplacez les piles.

Le mot de passe du verrouillage parental a été oublié.

- Saisissez 9999 comme code PIN et saisissez le nouveau code PIN.

	HELP	Pour plus d'informations sur le dépannage, consultez le Guide d'aide.
---	-------------	---

Spécifications

Système

Type d'affichage : LCD (écran à cristaux liquides), Rétro-éclairage LED

Norme de télévision : Selon le pays/la région sélectionnée/le modèle de téléviseur

Analogique : B/G, D/K, I

Numérique : DVB-T/DVB-C/DVB-T2*1

Satellite*1 : DVB-S/DVB-S2

Norme de couleurs : PAL/SECAM/NTSC3.58

(Vidéo uniquement)/NTSC4.43 (Vidéo uniquement)

Canaux couverts : Selon le pays/la région sélectionnée/le modèle de téléviseur

Analogique : UHF/VHF/Câble

Numérique : UHF/VHF/Câble

Satellite*1 : Fréquence IF 950-2 150 MHz

Sortie son : 12,5 W + 12,5 W + 12,5 W + 12,5 W + 5 W + 5 W

Technologie sans fil

Protocole IEEE 802.11a/b/g/n/ac

Bluetooth® Version 4.2

Bande(s) de fréquence

Plage de fréquences	Puissance de sortie
LAN sans fil (Téléviseur)	
2 400-2 483,5 MHz	< 20,0 dBm
5 150-5 250 MHz	< 23,0 dBm
5 250-5 350 MHz	< 20,0 dBm
5 470-5 725 MHz	< 20,0 dBm
5 725-5 850 MHz	< 13,9 dBm
Bluetooth® (Téléviseur)	
2 400-2 483,5 MHz	< 10,0 dBm
Bluetooth® (Télécommande)	
2 400-2 483,5 MHz	< 10,0 dBm

Prises d'entrée/de sortie

Antenne/câble

Borne 75 ohms externe pour VHF/UHF

Antenne satellite*1

Connecteur femelle type-F, 75 ohms.

DiSEqC 1.0, LNB 13 V/18 V & 22 kHz tone,

Diffusion par câble unique EN50494.

↔ / ↔ AV IN

Entrée audio/vidéo (mini-prise)

HDMI IN 1/2/3/4 (Compatible HDCP 2.3)

Vidéo :

4096 × 2160p (50, 60 Hz)*2*3, 4096 × 2160p (24 Hz)*2, 3840 × 2160p (50, 60 Hz)*3, 3840 × 2160p (24, 25, 30 Hz), 1080p (30, 50, 60, 100, 120 Hz), 1080i (50, 60 Hz), 720p (30, 50, 60 Hz), 720i (30, 50, 60 Hz), 576p, 480p, Formats PC*4

7680 × 4320p (24, 25, 30, 50, 60 Hz)*4*5, 3840 × 2160p (100, 120 Hz)*4*5

Audio :

En mode eARC (Enhanced Audio Return Channel)

Reportez-vous au Guide d'aide pour plus de détails.

Sauf mode eARC

PCM linéaire 5,1 canaux : 32/44,1/48/88,2/96/176,4/192 kHz 16/20/24 bits, Dolby Audio, Dolby Atmos, DTS

eARC/ARC (Enhanced Audio Return Channel/Audio Return Channel) (HDMI IN 3 uniquement)*6

En mode eARC

Reportez-vous au Guide d'aide pour plus de détails.

En mode ARC

PCM linéaire deux canaux : 48 kHz 16 bits, Dolby Audio, Dolby Atmos, DTS

↻ DIGITAL AUDIO OUT (OPTICAL)

Prise optique numérique (PCM linéaire deux canaux : 48 kHz 16 bits, Dolby Audio, DTS)

🎧 (mini-prise stéréo)

Casque

🔌 1, 🔌 2, 🔌 3 (HDD REC)*7

Port pour périphérique USB (🔌 3 Disque dur USB pour la fonction REC)

Les ports USB 1 et 2 prennent en charge la High Speed USB (USB 2.0)

Le port USB 3 prend en charge la Super Speed USB (USB 3.1 Gen 1)



Fente CAM (Module pour système à contrôle d'accès)



LAN

Connecteur 10BASE-T/100BASE-TX (La vitesse de connexion du réseau peut varier en fonction de l'environnement d'exploitation. Le débit et la qualité de la communication ne sont pas garantis.)

CENTER SPEAKER IN

Entrée du haut parleur central (bornier)

Puissance, fiche produit et autres

Alimentation

220 V - 240 V CA, 50 Hz

Classe d'efficacité énergétique

KD-85ZH8 : C

KD-75ZH8 : C

Taille d'écran (mesurée en diagonale) (Environ)

KD-85ZH8 : 214,8 cm / 85 pouces

KD-75ZH8 : 189,3 cm / 75 pouces

Consommation électrique

En mode [Standard]

KD-85ZH8 : 487 W

KD-75ZH8 : 361 W

En mode [Intense]

KD-85ZH8 : 815 W

KD-75ZH8 : 590 W

Consommation énergétique annuelle*8

KD-85ZH8 : 675 kWh par an

KD-75ZH8 : 501 kWh par an

Consommation électrique en veille*9*10

KD-85ZH8 : 0,50 W (63 W en mode de mise à jour du logiciel/EPG)

KD-75ZH8 : 0,50 W (52 W en mode de mise à jour du logiciel/EPG)

Résolution d'affichage

7 680 points (horizontal) × 4 320 lignes (vertical)

Puissance de sortie nominale

USB 1/2

5 V $\overline{=}$, 500 mA MAX

USB 3

5 V $\overline{=}$, 900 mA MAX

Dimensions (Environ) (l × h × p) (cm)

Avec support de table

Position standard :

KD-85ZH8 : 192,0 × 111,7 × 42,8

KD-75ZH8 : 169,6 × 98,6 × 35,6

Position étroite :

KD-85ZH8 : 190,4 × 112,0 × 42,8

KD-75ZH8 : 168,0 × 98,9 × 35,6

Sans support de table

KD-85ZH8 : 190,4 × 110,9 × 8,4

KD-75ZH8 : 168,0 × 97,7 × 8,4

Largeur du support (Environ) (cm)

Position standard :

KD-85ZH8 : 192,0

KD-75ZH8 : 169,6

Position étroite :

KD-85ZH8 : 86,5

KD-75ZH8 : 62,3

Poids (Environ) (kg)

Avec support de table

Position standard :

KD-85ZH8 : 67,8

KD-75ZH8 : 49,9

Position étroite :

KD-85ZH8 : 67,3

KD-75ZH8 : 49,4

Sans support de table

KD-85ZH8 : 65,6

KD-75ZH8 : 47,9

Autres

Accessoires en option

Support de fixation murale : SU-WL450

Température de fonctionnement : 0 °C – 40 °C

Humidité de fonctionnement : 10 % – 80 % HR (sans condensation)

*1 Tous les téléviseurs ne sont pas dotés de la technologie DVB-T2 ou DVB-S/S2 ou d'une borne d'antenne satellite.

*2 Si la valeur d'entrée est 4096 × 2160p et que [Mode Large] est réglé sur [Normal], la résolution s'affiche à 3840 × 2160p. Pour afficher au format 4096 × 2160p, réglez le paramètre [Mode Large] sur [Étiré 1] ou [Étiré 2].

*3 Pour la prise en charge de 18 Gbps, réglez [Format du signal HDMI] sur Format amélioré.

*4 Reportez-vous au Guide d'aide en ligne pour plus de détails.

*5 HDMI IN 4 uniquement.

*6 Raccordez votre système audio au HDMI IN 3 pour acheminer l'audio de votre téléviseur vers votre système audio.

*7 Uniquement pour certaines régions, certains pays ou certains modèles de téléviseur.

*8 Consommation énergétique en kWh par an, en considérant la consommation électrique du poste lorsqu'il reste allumé 4 heures par jour pendant 365 jours. La consommation électrique réelle dépendra du mode d'utilisation du téléviseur.

*9 La consommation en veille spécifiée est atteinte une fois que le téléviseur a terminé tous les processus internes nécessaires.

*10 La consommation électrique en veille augmentera lorsque votre téléviseur sera connecté au réseau.

Remarque

- La disponibilité des accessoires en option varie selon les pays, les régions, les modèles de téléviseur et les stocks.
- La conception et les spécifications sont sujettes à modification sans préavis.
- Des abonnements à des services et à des applications peuvent être requis et des conditions, des frais et/ou des frais supplémentaires peuvent s'appliquer lorsque vous utilisez l'Assistant Google.

Remarques sur la fonction de télévision numérique

- La télévision numérique (DVB terrestre, satellite et câble), les services interactifs et les fonctions réseau peuvent ne pas être disponibles dans tous les pays ou régions. Certaines fonctions pourraient ne pas être activées ou pourraient ne pas fonctionner correctement avec certains opérateurs et environnements réseau. Il est possible que certains opérateurs de services télévisuels facturent des frais pour leurs services.
- Ce téléviseur prend en charge la diffusion numérique en utilisant les codecs MPEG-2, H.264/MPEG-4 AVC et H.265/HEVC, mais la compatibilité avec tous les signaux de l'opérateur/service, susceptibles de changer au fil du temps, ne peut pas être garantie.

Informations sur les marques commerciales

- Les termes HDMI et High-Definition Multimedia Interface ainsi que le logo HDMI sont des marques commerciales ou des marques déposées de HDMI Licensing Administrator, Inc. aux États-Unis et dans d'autres pays.
- Dolby, Dolby Vision, Dolby Atmos, Dolby Audio et le symbole double-D sont des marques de Dolby Laboratories. Fabriqué sous licence de Dolby Laboratories. Travaux confidentiels et non publiés. Copyright © 2012-2018 Dolby Laboratories. Tous droits réservés.
- Gracenote, le logo et le graphisme Gracenote ainsi que le logo « Powered by Gracenote » sont des marques commerciales ou des marques déposées de Gracenote, Inc. aux États-Unis et/ou dans d'autres pays.
- Google, Google Play, Chromecast, YouTube, Android TV et les autres marques et logos associés sont des marques de Google LLC.
- Pour les brevets DTS, visitez <http://patents.dts.com>. Fabriqué sous licence de DTS, Inc. DTS, le symbole, DTS et le symbole ensemble, et Digital Surround sont des marques déposées ou des marques commerciales de DTS, Inc. aux États-Unis et/ou dans d'autres pays. © DTS, Inc. Tous droits réservés.
- Netflix est une marque déposée de Netflix, Inc.
- DiSEqC™ est une marque déposée de EUTELSAT.
Ce téléviseur prend en charge DiSEqC 1.0. Ce téléviseur n'est pas destiné à commander des antennes à moteur.

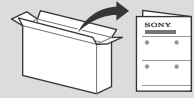
- TUXERA est une marque déposée de Tuxera Inc. aux États-Unis et dans d'autres pays.
- Toutes les autres marques commerciales appartiennent à leurs propriétaires respectifs.

Acerca de los manuales

Este televisor se entrega con los siguientes manuales. Conserve los manuales para poderlos consultar en el futuro.

Guía de configuración

- Instalación y configuración del televisor.



Guía de referencia (este manual) / Documentación de seguridad

- Información de seguridad, mando a distancia, solución de problemas, instalación en la pared, especificaciones, etc.



Guía de ayuda (manual en pantalla)

- Ajustes, funciones de Android TV, conexión a Internet, solución de problemas, etc.
- Para abrir, pulse el botón **HELP** en el mando a distancia y seleccione la Guía de ayuda.



- Puede consultar la Guía de ayuda desde su smartphone.



https://rd1.sony.net/help/tv/haep1/h_aep/

IMPORTANTE – Lea el Acuerdo de licencia de software para el usuario final antes de utilizar su producto Sony. El uso del producto indica su aceptación de este Acuerdo de licencia de software para el usuario final. El acuerdo de licencia de software entre usted y Sony se encuentra disponible en línea en el sitio web de Sony (<http://www.sony.net/tv-software-licencias/>) o en la pantalla de su producto. Vaya a [Ajustes] → [Preferencias del dispositivo] → [Información] → [Información legal] → [Avisos y licencias].

Nota

- Antes de utilizar el televisor, lea el apartado "Información de seguridad".
- Lea la documentación de seguridad suministrada para obtener información adicional sobre seguridad.
- Las imágenes y las ilustraciones utilizadas en la Guía de configuración y este manual son solo ejemplos y pueden no coincidir con el producto real.
- La "xx" que aparece en el nombre del modelo corresponde a un dígito numérico relacionado con el diseño, el color o el sistema de televisión.

Ubicación de la etiqueta identificativa

Las etiquetas correspondientes al Número de modelo, a la Fecha de producción (año/mes) y al voltaje de la Fuente de alimentación se encuentran situadas en la parte posterior del televisor o el embalaje. Para acceder a ellas, quite la tapa del terminal.

AVISO IMPORTANTE

Nota sobre equipos inalámbricos

Por la presente, Sony Corporation declara que los tipos de equipo radioeléctrico KD-85ZH8, KD-75ZH8 son conformes con la Directiva 2014/53/UE. El texto completo de la declaración UE de conformidad está disponible en la dirección Internet siguiente: <http://www.compliance.sony.eu/>

Aviso para los clientes: la siguiente información solamente es aplicable a los equipos comercializados en los países que cumplan las directivas de la UE.

Para este equipo de radio, aplican las siguientes restricciones de puesta en servicio o requisitos de autorización de uso en AT, BE, HR, CY, CZ, DK, EE, FI, FR, DE, EL, HU, IE, IT, LV, LT, LU, MT, NL, PL, PT, SK, SI, ES, SE, UK, IS, LI, NO, CH, BG, RO, TR, AL, BA, MK, MD, RS, ME, Kosovo :
La banda de 5 150 - 5 350 MHz solo está permitida para operaciones en interiores.

Información de seguridad

Instalación/configuración

Instale y utilice el televisor siguiendo las instrucciones que se indican a continuación para evitar el riesgo de incendios, descargas eléctricas u otros daños y/o lesiones.

Instalación

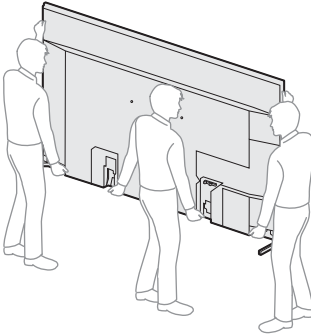
- Debe instalar el televisor cerca de una toma de corriente de fácil acceso.
- Coloque el televisor sobre una superficie nivelada y estable para evitar que pueda caerse y provocar daños personales o materiales.
- Instale el televisor en lugares donde no pueda caerse ni sufrir golpes.
- Instale el televisor de modo que el soporte de sobremesa del televisor no sobresalga del soporte para TV (no suministrado). Si el soporte de sobremesa sobresale del soporte para TV, el televisor podría desequilibrarse, caerse y provocar daños personales o estropearse.



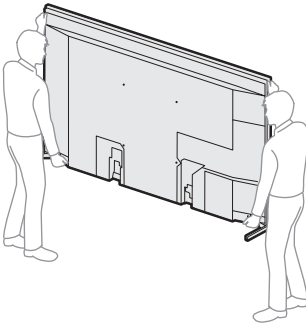
Transporte

- Desconecte todos los cables antes de transportar el televisor.
- Se necesitan dos o más personas (tres o más personas para el KD-85ZH8) para transportar un televisor grande.
- Al transportar el televisor manualmente, sujételo de la forma descrita a continuación. No ejerza presión sobre la pantalla LCD ni el marco que la rodea.

KD-85ZH8

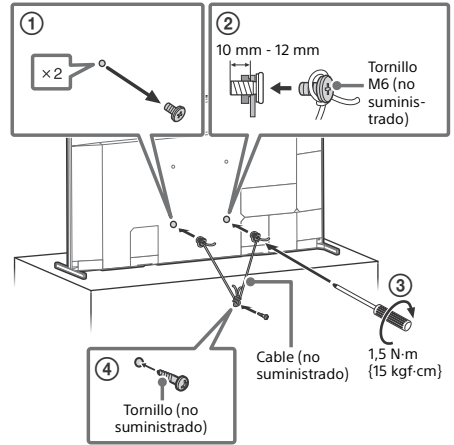


KD-75ZH8



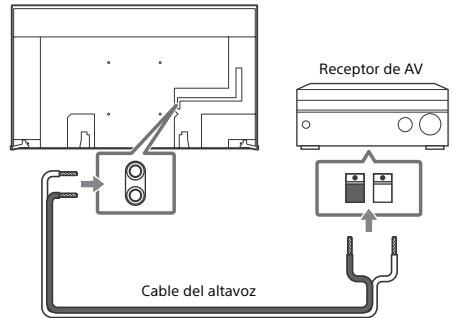
- Durante el transporte, no someta el televisor a sacudidas o vibraciones excesivas.
- Cuando transporte el televisor para repararlo o cuando lo cambie de sitio, embálelo con la caja y el material de embalaje originales.

Prevención de volcado

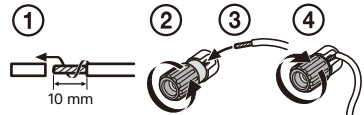


ES

Uso del televisor como altavoz central



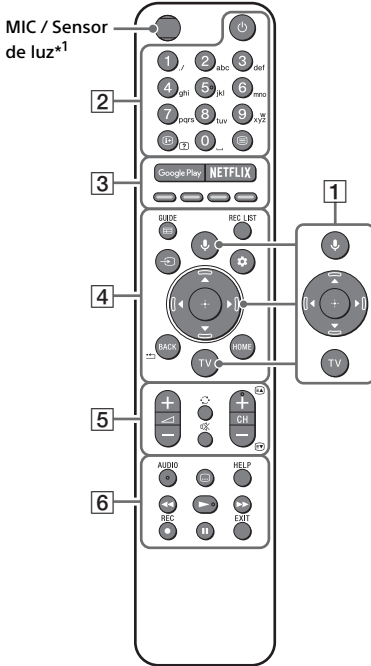
- Antes de conectar los cables, desconecte el cable de alimentación tanto del televisor como del receptor de AV.
- Asegúrese de que [Altavoz] está configurado como [Sistema de Audio].



Para evitar silbidos cuando no se conecta la CENTER SPEAKER IN a un receptor de AV, deshabilite [Modo altavoz central de TV]. Para obtener detalles, consulte la Guía de ayuda.

Mando a distancia y televisor

La forma del mando a distancia, la posición, la disponibilidad y la función de los botones del mando a distancia pueden variar en función del país, la región o el modelo de televisor.



1 **(Micrófono):** Utilice el Asistente de Google*²*³ o la búsqueda por voz*³. Para consejos sobre cómo controlar su televisor, pulse el botón (Micrófono) y pronuncie la frase "pistas de voz".*²

▲/▼/◀/▶/⊕: Navegación y selección de menús en pantalla.

TV: Visualiza una lista de canales de TV o cambia a entrada.

2 **(Modo en espera del televisor)**

Botones numéricos

ℹ/? **(Información/datos de texto):** Permite acceder a información.

☰ (Texto): Permite acceder a información de texto.

3 **Google Play / NETFLIX*² / Botones de colores**

4 **GUIDE/☰:** Visualiza la guía de programas digitales del TV o receptor de cable/satélite*²*⁴.

REC LIST: Visualice la lista de grabación del USB HDD/DVR*⁴.

(Selección de la entrada): Permite ver y seleccionar la fuente de entrada u otras.

(Configuración rápida): Visualice la configuración rápida.

BACK/◀

HOME

5 **(Volumen)**

(Saltar)

(Silenciamiento)*⁵

CH +/-/⏪/⏩: Selecciona el canal, o la página siguiente (⏪) / anterior (⏩).

6 **AUDIO:** Seleccione el sonido de la fuente multilingüe o el sonido dual (según la fuente del programa).

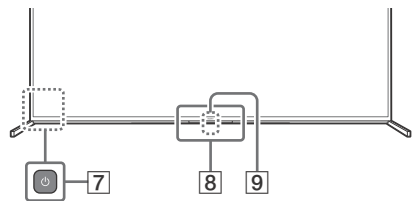
⋮ (Ajuste de subtítulos)

HELP: Permite acceder al menú de ayuda.

◀◀/▶▶/⏸/⏹

● REC: Grabe el programa que está mirando en el USB HDD/DVR*⁴.

EXIT

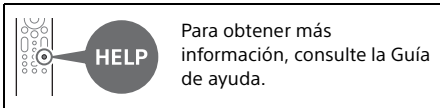


7 **(Alimentación)**

8 **Sensor del mando a distancia / Sensor de luz / LED*⁶**

9 **Micrófono integrado*²*³*⁷:** Para habilitar el micrófono integrado, pulse el botón (Micrófono) en el mando a distancia y, luego, siga las instrucciones en pantalla.

- *1 La luz de fondo del mando a distancia se ilumina cuando el sensor de luz detecta que el nivel de luz ambiental es bajo. La iluminación automática de la luz de fondo puede apagarse.
- *2 Solo en algunos países/regiones/modelos de televisor/idiomas.
- *3 El Asistente de Google o la búsqueda por voz requiere una conexión a Internet.
- *4 El ajuste de [Configuración del Receptor de cable/satélite] es necesario.
- *5 El atajo de accesibilidad estará disponible pulsando y manteniendo pulsado * (Silenciamiento).
- *6 El LED del micrófono integrado también está incluido.
- *7 El consumo de energía en espera aumenta porque el micrófono integrado está siempre activado cuando está habilitado.



Instalación del televisor en una pared

Utilización del Soporte de pared opcional (SU-WL450)* (no suministrado)

Para los clientes:

Por motivos de protección del producto y de seguridad, Sony recomienda dejar la instalación del televisor en manos de distribuidores Sony o proveedores autorizados. Nunca intente realizar la instalación sin ayuda.

Para distribuidores y contratistas de Sony:

Preste especial atención a la seguridad durante la instalación, el mantenimiento periódico y las revisiones de este producto.

Información para la instalación del Soporte de pared

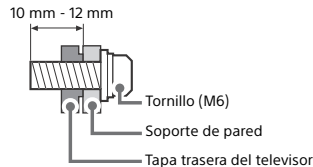
El manual de instrucciones de este televisor solo proporciona los pasos para preparar el televisor para su instalación en la pared antes de su montaje en la pared. Para obtener instrucciones acerca de la instalación del Soporte de pared, consulte la información de instalación (Soporte de pared) en la página del producto de su modelo de televisor.

<https://www.sony.eu/support>

Preparación de la instalación en pared

Asegúrese de montar el soporte de sobremesa antes de instalar el televisor en la pared según las instrucciones de la Guía de configuración.

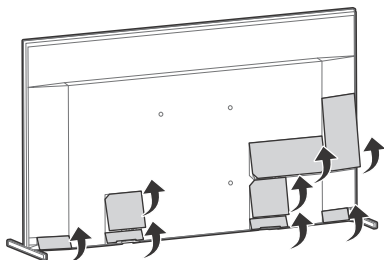
- Prepare el televisor para el Soporte de pared antes de conectar los cables.
- Siga la guía de instrucciones suministrada con el Soporte de pared correspondiente a su modelo. Para instalar este televisor, es necesario disponer de conocimientos suficientes, especialmente para determinar si la pared es lo bastante resistente para aguantar el peso del televisor.
- Deje siempre la instalación de este producto en la pared en manos de distribuidores Sony o proveedores autorizados y preste especial atención a la seguridad durante la instalación. Sony no se hace responsable de daños o lesiones provocados por una manipulación o una instalación incorrectas.
- Los tornillos para el Soporte de pared no están incluidos.
- La instalación en pared solo puede ser realizada por personal cualificado.
- Por razones de seguridad, se recomienda utilizar accesorios Sony como:
 - Soporte de pared SU-WL450
- Asegúrese de utilizar los tornillos suministrados con el Soporte de pared al fijar el Soporte de pared al televisor. Los tornillos suministrados han sido diseñados tal y como indica la ilustración si se miden desde la superficie de colocación del Soporte de pared. El diámetro y longitud de los tornillos varía en función del modelo de Soporte de pared. Si utiliza tornillos distintos de los suministrados, puede provocar un daño interno en el televisor o éste puede caerse, etc.



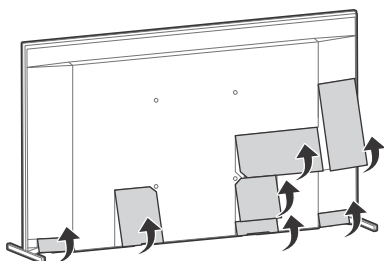
- Guarde los tornillos que no utilice y el soporte de sobremesa en un lugar seguro hasta que esté a punto para montar el soporte de sobremesa. Mantenga los tornillos lejos del alcance de los niños.

* Solo en algunos países/regiones/modelos de televisor.

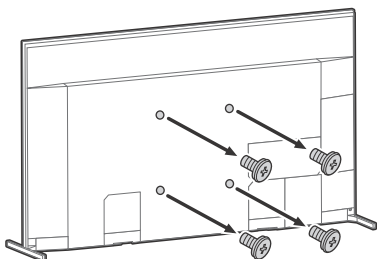
- 1** Retire las tapas de los terminales.
KD-85ZH8



KD-75ZH8



- 2** Retire los tornillos de la parte trasera del televisor.



Solución de problemas

Para la solución de problemas generales en situaciones como, por ejemplo, pantalla negra, no hay sonido, imagen congelada, el televisor no responde o la conexión de red se ha perdido, realice los pasos siguientes.

- 1** Reinicie el televisor pulsando el botón de encendido en el mando a distancia durante aproximadamente cinco segundos. El televisor se reiniciará. Si el televisor no se recupera, intente desenchufar el cable de corriente. A continuación, pulse el botón de encendido en el televisor y suéltelo. Espere durante dos minutos y conecte el cable de alimentación.
- 2** Para consultar el menú Ayuda, pulse **HELP** en el mando a distancia.
- 3** Conecte el televisor a Internet y realice una actualización de software. Sony recomienda actualizar siempre el software del televisor. Las actualizaciones de software mejoran el rendimiento del televisor y añaden nuevas funciones.
- 4** Visite el sitio web de soporte de Sony (encontrará la información al final de este manual).

Al conectar el televisor, es posible que no se encienda aunque pulse el botón de encendido del mando a distancia o del televisor.

El sistema tarda un tiempo en inicializarse. Espere aproximadamente un minuto y vuelva a intentarlo.

El mando a distancia no funciona.

- Cambie las pilas.

Se ha olvidado la contraseña del bloqueo paterno.

- Introduzca 9999 para el PIN e introduzca el nuevo PIN.

	Para obtener más información sobre la solución de problemas, consulte la Guía de ayuda.
--	---

Especificaciones

Sistema

Sistema de panel: Panel LCD (pantalla de cristal líquido), Retroiluminación LED

Sistema de televisión: Según el país/selección de área/modelo de televisor

Análogo: B/G, D/K, I

Digital: DVB-T/DVB-C/DVB-T2*1

Satélite*1: DVB-S/DVB-S2

Sistema de color: PAL/SECAM/NTSC3.58 (Sólo vídeo)/NTSC4.43 (Sólo vídeo)

Cobertura de canales: Según el país/selección de área/modelo de televisor

Análogo: UHF/VHF/Cable

Digital: UHF/VHF/Cable

Satélite*1: Frecuencia IF 950-2 150 MHz

Salida de sonido: 12,5 W + 12,5 W + 12,5 W + 12,5 W + 5 W + 5 W

Tecnología inalámbrica

Protocolo IEEE 802.11a/b/g/n/ac

Bluetooth® versión 4.2

Bandas de frecuencia

Intervalo de frecuencias	Potencia de salida
LAN inalámbrica (Televisor)	
2 400-2 483,5 MHz	< 20,0 dBm
5 150-5 250 MHz	< 23,0 dBm
5 250-5 350 MHz	< 20,0 dBm
5 470-5 725 MHz	< 20,0 dBm
5 725-5 850 MHz	< 13,9 dBm
Bluetooth® (Televisor)	
2 400-2 483,5 MHz	< 10,0 dBm
Bluetooth® (Mando a distancia)	
2 400-2 483,5 MHz	< 10,0 dBm

Conectores de entrada/salida

Antena/Cable

Terminal externo de 75 ohmios para VHF/UHF

Antena de satélite*1

Conector tipo F hembra, 75 ohmios.

DiSEqC 1.0, LNB 13 V/18 V y tono de 22 kHz,

Distribución de cable único EN50494.

AV IN

Entrada de vídeo/audio (miniconector)

HDMI IN 1/2/3/4 (Compatible con HDCP 2.3)

Vídeo:

4096 × 2160p (50, 60 Hz)^{*2*3}, 4096 × 2160p (24 Hz)^{*2}, 3840 × 2160p (50, 60 Hz)^{*3}, 3840 × 2160p (24, 25, 30 Hz), 1080p (30, 50, 60, 100, 120 Hz), 1080/24p, 1080i (50, 60 Hz), 720p (30, 50, 60 Hz), 720/24p, 576p, 480p,

Formatos de PC^{*4}

7680 × 4320p (24, 25, 30, 50, 60 Hz)^{*4*5}, 3840 × 2160p (100, 120 Hz)^{*4*5}

Audio:

En el modo eARC (Enhanced Audio Return Channel)

Consulte la Guía de ayuda para obtener más detalles.

Excepto en el modo eARC

PCM lineal de 5,1 canales: 32/44,1/48/88,2/96/176,4/192 kHz 16/20/24 bits, Dolby Audio, Dolby Atmos, DTS

eARC/ARC (Enhanced Audio Return Channel/Audio Return Channel) (Sólo HDMI IN 3)^{*6}

En el modo eARC

Consulte la Guía de ayuda para obtener más detalles.

En el modo ARC

PCM lineal de dos canales: 48 kHz 16 bits, Dolby Audio, Dolby Atmos, DTS

DIGITAL AUDIO OUT (OPTICAL)

Toma digital óptica (PCM lineal de dos canales: 48 kHz 16 bits, Dolby Audio, DTS)

(minitoma estéreo)

Auricular

1, 2, 3 (HDD REC)^{*7}

Puerto para dispositivo USB (dispositivo HDD)
3 USB para función REC)

Los puertos USB 1 y 2 son compatibles con USB de alta velocidad (USB 2.0)

El puerto USB 3 es compatible con Super Speed USB (USB 3.1 Gen 1)



Ranura CAM (módulo de acceso condicional)



LAN

Conector 10BASE-T/100BASE-TX (La velocidad de conexión puede variar según el entorno operativo de la red. No se garantizan la frecuencia y la calidad de comunicación).

CENTER SPEAKER IN

Entrada de altavoz central (borne de conexión)

Alimentación, ficha de producto y otros

Requisitos de alimentación

220 V - 240 V CA, 50 Hz

Categoría de eficiencia energética

KD-85ZH8: C

KD-75ZH8: C

Tamaño de la pantalla (medida diagonalmente)
(Aprox.)

KD-85ZH8: 214,8 cm / 85 pulgadas

KD-75ZH8: 189,3 cm / 75 pulgadas

Consumo de energía

En el modo [Estándar]

KD-85ZH8: 487 W

KD-75ZH8: 361 W

En el modo [Viva]

KD-85ZH8: 815 W

KD-75ZH8: 590 W

Consumo de energía anual*⁸

KD-85ZH8: 675 kWh por año

KD-75ZH8: 501 kWh por año

Consumo de energía en modo de espera*^{9,10}

KD-85ZH8: 0,50 W (63 W en el modo de actualización del software/EPG)

KD-75ZH8: 0,50 W (52 W en el modo de actualización del software/EPG)

Resolución de la pantalla

7 680 puntos (horizontal) × 4 320 líneas
(vertical)

Potencia de salida

USB 1/2

5 V $\overline{=}$, 500 mA MÁX.

USB 3

5 V $\overline{=}$, 900 mA MÁX.

Dimensiones (Aprox.) (ancho x alto x fondo) (cm)

con soporte de sobremesa

Posición estándar:

KD-85ZH8: 192,0 × 111,7 × 42,8

KD-75ZH8: 169,6 × 98,6 × 35,6

Posición estrecha:

KD-85ZH8: 190,4 × 112,0 × 42,8

KD-75ZH8: 168,0 × 98,9 × 35,6

sin soporte de sobremesa

KD-85ZH8: 190,4 × 110,9 × 8,4

KD-75ZH8: 168,0 × 97,7 × 8,4

Anchura del soporte (Aprox.) (cm)

Posición estándar:

KD-85ZH8: 192,0

KD-75ZH8: 169,6

Posición estrecha:

KD-85ZH8: 86,5

KD-75ZH8: 62,3

Peso (Aprox.) (kg)

con soporte de sobremesa

Posición estándar:

KD-85ZH8: 67,8

KD-75ZH8: 49,9

Posición estrecha:

KD-85ZH8: 67,3

KD-75ZH8: 49,4

sin soporte de sobremesa

KD-85ZH8: 65,6

KD-75ZH8: 47,9

Otros

Accesorios opcionales

Soporte de pared: SU-WL450

Temperatura de funcionamiento: De 0 °C a 40 °C

Humedad de funcionamiento: 10 % – 80 % RH
(sin condensación)

*1 No todos los televisores cuentan con la tecnología DVB-T2 o DVB-S/S2 o un terminal de antena de satélite.

*2 Si se introduce 4096 × 2160p y [Modo horizontal] se cambia a [Normal], la resolución mostrada será 3840 × 2160p. Para ver 4096 × 2160p, cambie el ajuste de [Modo horizontal] a [Completo 1] o [Completo 2].

*3 Para admitir los 18 Gbps, cambie [Formato de señal HDMI] a Formato mejorado.

*4 Consulte la Guía de ayuda en línea para obtener más detalles.

*5 Sólo entradas HDMI IN 4.

*6 Conecte su sistema de audio a HDMI IN 3 para enviar el audio del televisor a su sistema de audio.

*7 Solo en algunos países/regiones/modelos de televisor.

*8 Consumo de energía en kWh al año, con el televisor funcionando 4 horas al día durante 365 días. El consumo de energía real depende de la frecuencia de uso del televisor.

*9 El consumo de energía en modo de espera especificado se alcanza cuando el televisor termina los procesos internos necesarios.

*10 El consumo de energía en modo de espera aumenta si el televisor está conectado a la red.

Nota

- La disponibilidad de los accesorios opcionales depende del país, la región, el modelo de televisor y las existencias.
- El diseño y las especificaciones están sujetos a cambios sin previo aviso.
- Es posible que se requieran suscripciones para servicios y aplicaciones y que se apliquen términos, condiciones y/o cargos adicionales cuando se utiliza el Asistente de Google.

Notas sobre la función de Televisión digital

- Es posible que los servicios interactivos y las funciones de la red de televisión digital (DVB terrestre, por satélite o por cable) no estén disponibles en todos los países o regiones. Es posible que algunas funciones estén inhabilitadas o que no funcionen correctamente con algunos proveedores y entornos de red. Algunos proveedores de servicio de televisión pueden cobrar una tarifa por sus servicios.
- Este televisor es compatible con emisiones digitales con codificación MPEG-2, H.264/MPEG-4 AVC y H.265/HEVC, aunque no es posible garantizar la compatibilidad con todos los operadores y señales de servicio, dado que con el tiempo pueden variar.
- Este televisor soporta la recepción de televisión digital terrestre, DVB-T2, la alta definición y la ultraalta definición.

Información sobre las marcas comerciales

- Los términos HDMI y HDMI High-Definition Multimedia Interface, y el Logotipo HDMI son marcas comerciales o marcas registradas de HDMI Licensing Administrator, Inc. en los Estados Unidos y en otros países.
- Dolby, Dolby Vision, Dolby Atmos, Dolby Audio y el símbolo de la doble D son marcas comerciales de Dolby Laboratories. Fabricado con la licencia de Dolby Laboratories. Documentos confidenciales sin publicar. Copyright © 2012-2018 Dolby Laboratories. Todos los derechos reservados.
- Gracenote, el símbolo y el logotipo de Gracenote y el logotipo "Powered by Gracenote" son marcas comerciales registradas o marcas comerciales de Gracenote, Inc. en Estados Unidos y/u otros países.
- Google, Google Play, Chromecast, YouTube, Android TV y otras marcas y logotipos relacionados son marcas comerciales de Google LLC.
- Para obtener información sobre las patentes DTS, consulte <http://patents.dts.com>. Fabricado con licencia de DTS, Inc. DTS, su símbolo y DTS y el símbolo y Digital Surround son marcas comerciales registradas o marcas comerciales de DTS, Inc. en los Estados Unidos y/u otros países. © DTS, Inc. Todos los derechos reservados.
- Netflix es una marca comercial registrada de Netflix, Inc.

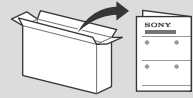
- DiSEqC™ es una marca comercial de EUTELSAT. Este televisor es compatible con DiSEqC 1.0. Este televisor no está diseñado para controlar antenas motorizadas.
- TUXERA es una marca comercial registrada de Tuxera Inc. en los EEUU y otros países.
- Todas las demás marcas comerciales son propiedad de sus respectivos propietarios.

Over handleidingen

Deze TV wordt met de volgende handleidingen geleverd. Bewaar de handleidingen voor toekomstig gebruik.

Installatiehandleiding

- Installatie en instelling van de TV.



Referentieids (deze handleiding) / veiligheidsdocumentatie

- Veiligheidsinformatie, afstandsbediening, problemen oplossen, wandmontage-installatie, specificatie, enz.



Helpgids (handleiding op het scherm)

- Instellingen, Android TV functies, internetverbinding, problemen oplossen, enz.
- Om deze te openen, drukt u op de knop **HELP** op de afstandsbediening en selecteer Helpgids.



- U kunt de Helpgids op uw smartphone bekijken.



https://rd1.sony.net/help/tv/haep1/h_aep/

BELANGRIJK – lees de softwarelicentieovereenkomst voor eindgebruikers voordat u uw Sony-product gaat gebruiken.

Gebruik maken van dit product geeft aan dat u de softwarelicentieovereenkomst voor eindgebruikers accepteert. De softwarelicentieovereenkomst tussen u en Sony is online beschikbaar op de Sony-website (<http://www.sony.net/tv-software-licenses/>) of op uw productscherm. Ga naar [Instellingen] → [Apparaatvoorkeuren] → [Over] → [Juridische informatie] → [Opmerkingen en licenties].

Opmerkingen

- Lees voor het bedienen van de televisie de "Veiligheidsinformatie".
- Lees de meegeleverde documentatie voor extra veiligheidsinformatie.
- De afbeeldingen en illustraties die in de installatiehandleiding en de handleiding worden gebruikt, gelden uitsluitend als referentie en kunnen van het actuele product afwijken.
- De "xx" die wordt weergegeven in de modelnaam komt overeen met een cijfer dat betrekking heeft op het ontwerp, de kleur of het tv-systeem.

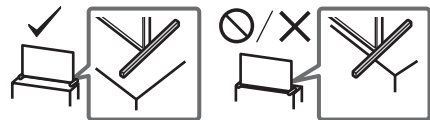
Locatie van het identificatielabel

Het label met het modelnummer, de productiedatum (jaar/maand) en de voedingsklasse bevinden zich op de achterkant van de tv en verpakking. U kunt ze vinden door de beschermkap van de aansluitingen te verwijderen.

BELANGRIJK BERICHT

Opmerking voor radioapparatuur

Hierbij verklaart Sony Corporation dat de types radioapparatuur KD-85ZH8, KD-75ZH8 conform zijn met Richtlijn 2014/53/EU. De volledige tekst van de EU-conformiteitsverklaring kan worden geraadpleegd op het volgende internetadres: <http://www.compliance.sony.eu/>



Opmerking voor klanten: de volgende informatie is enkel van toepassing voor apparaten die verkocht worden in landen die de EU-richtlijnen in acht nemen.

Voor deze radioapparatuur gelden in AT, BE, HR, CY, CZ, DK, EE, FI, FR, DE, EL, HU, IE, IT, LV, LT, LU, MT, NL, PL, PT, SK, SI, ES, SE, UK, IS, LI, NO, CH, BG, RO, TR, AL, BA, MK, MD, RS, ME en Kosovo de volgende beperkingen op het in gebruik nemen of op de voorschriften voor toestemming tot het gebruik : de 5.150 - 5.350 MHz-band mag uitsluitend binnen worden gebruikt.

Veiligheidsinformatie

Installatie/configuratie

Installeer en gebruik de televisie volgens de instructies hieronder zodat het risico van brand, elektrische schok, schade en/of letsel wordt voorkomen.

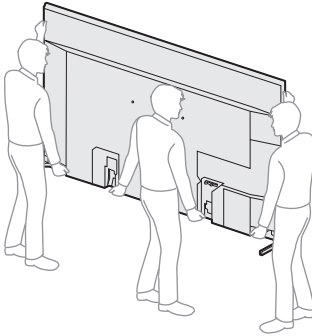
Installatie

- Het televisietoestel moet in de buurt van een goed toegankelijk stopcontact worden geplaatst.
- Plaats het televisietoestel op een stabiel, horizontaal oppervlak zodat het toestel niet kan vallen en geen persoonlijk letsel of materiële schade wordt veroorzaakt.
- Zet de televisie op een plaats waar er niet aan getrokken of tegen geduwd kan worden, en waar deze niet omver kan vallen.
- Plaats de tv zo dat de tv-standaard niet buiten de rand van het televisiemeubel (niet bijgeleverd) steekt. Als de tv-standaard buiten de rand van het televisiemeubel steekt, kan de tv omkanten of vallen en dat kan persoonlijk letsel of beschadiging van het toestel tot gevolg hebben.

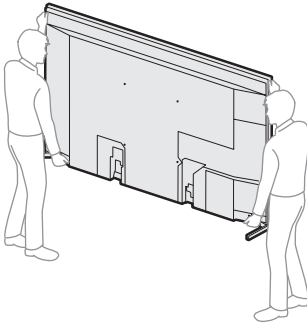
Transport

- Voordat u het televisietoestel transporteert, moet u alle snoeren loskoppelen.
- Voor het transport van een groot tv-toestel zijn twee of drie personen (drie of meer personen voor KD-85ZH8) nodig.
- Wanneer de televisie met de hand wordt gedragen, dient u deze als volgt vast te houden. Druk niet tegen het LCD-scherm en het kader rond het scherm.

KD-85ZH8

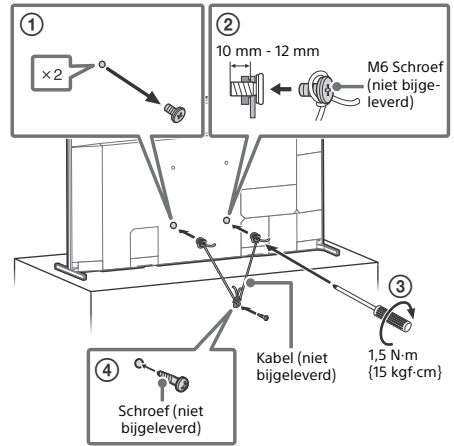


KD-75ZH8



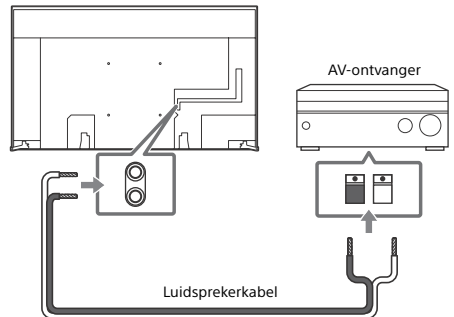
- Wanneer u het televisietoestel vervoert, mag u dit niet blootstellen aan schokken of sterke trillingen.
- Wanneer u het televisietoestel naar de reparateur brengt of vervoert, verpakt u het in de oorspronkelijke doos en verpakkingsmaterialen.

Omvalpreventie

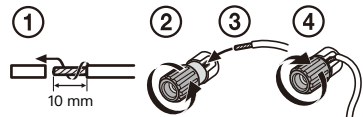


NL

TV gebruiken als middenspeaker



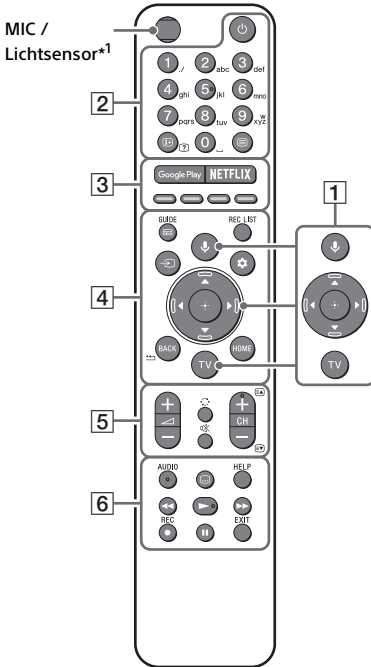
- Voor u kabels verbindt, moet u zowel de stekker van de TV als van de AV-ontvanger uit het stopcontact halen.
- Zorg ervoor dat [Speakers] ingesteld is op [Audiosysteem].



Om te voorkomen dat er ruis is wanneer de CENTER SPEAKER IN niet verbonden is met een AV-ontvanger, schakel dan [Modus TV-middenspeaker] uit. Voor meer informatie raadpleegt u de Helpgids.

Afstandsbediening en tv

De vorm van de afstandsbediening, locatie, beschikbaarheid en functie van de toetsen van de afstandsbediening kunnen verschillen afhankelijk van uw regio/land/tv-model.



- 1** **(Microfoon):** Gebruik de Google Assistant*²*³ of gesproken zoekopdrachten*³. Voor tips over de bediening van uw tv, drukt u op de -knop (Microfoon) en spreekt u de zin "spraaktips" uit.*²

▲/▼/◀/▶/⊕: Menu voor navigatie en selectie op het scherm.

TV: Weergave van de lijst met tv-kanalen of wissel naar invoer.

- 2** **(tv-stand-by)**

Cijfertoetsen

ⓘ/? **(Info/Tekst tonen):** Hiermee kunt u informatie weergeven.

≡ **(Teletekst):** Hiermee kunt u tekstinformatie weergeven.

- 3** **Google Play / NETFLIX*² / Kleurtoetsen**

- 4** **GUIDE/☰:** Geef de digitale programmagids van de tv of kabel/satelliet receiver weer*²*⁴.

REC LIST: Weergave van de opnamelijst van USB HDD/DVR*⁴.

(Ingangselectie): De ingangsbron weergeven en selecteren enz.

(Snelle instellingen): Weergave van snelle instellingen.

BACK/←

HOME

- 5** **+/- (Volume)**

(Overschakelen)

(Dempen van het geluid)*⁵

CH +/-/⏪/⏩: Selecteer het kanaal of de volgende (⏪) / vorige (⏩) pagina.

- 6** **AUDIO:** Selecteer het geluid van een meertalige bron of tweevoudig geluid (afhankelijk van de programmabron).

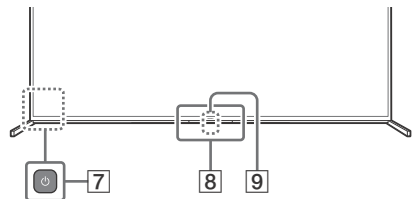
⋮ (Ondertiteling instellen)

HELP: Hiermee kunt u het helpmenu openen.

◀/▶/▶▶/||

● REC: Registreer het momenteel bekeken programma op USB HDD/DVR*⁴.

EXIT

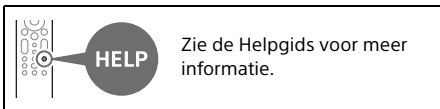


- 7** **(Aan/uit)**

- 8** **Afstandsbedieningssensor / Lichtsensor / LED*⁶**

- 9** **Ingebouwde microfoon*²*³*⁷:** Druk de ingebouwde microfoon in te schakelen op (Microfoon)-knop op de afstandsbediening en volg de aanwijzingen op het scherm.

- *1 De achtergrondverlichting van de afstandsbediening gaat branden wanneer de lichtsensor detecteert dat er weinig omgevingslicht is. Automatische belichting door de achtergrondverlichting kan worden uitgeschakeld.
- *2 Beperkt tot bepaalde regio's/landen/tv-modellen/talen.
- *3 De Google Assistant of gesproken zoekopdrachten vereisen een internetverbinding.
- *4 Instelling van de [Instelling kabel/satelliet receiver] is vereist.
- *5 Toegankelijkheidssneltoets is beschikbaar door \otimes (Dempen van het geluid) in te drukken en vast te houden.
- *6 Ook inclusief het ingebouwde ledlampje van de microfoon.
- *7 Het stroomverbruik in stand-by stijgt omdat de ingebouwde microfoon altijd luistert wanneer deze geactiveerd is.



De televisie op de wand installeren

De optionele Wandmontagesteun gebruiken (SU-WL450)* (niet bijgeleverd)

Voor klanten:

Om redenen van productbescherming en veiligheid adviseert Sony ten stelligste dat de installatie van uw televisie wordt uitgevoerd door een Sony-verkoper of door een erkende aannemer. Probeer dit niet zelf te doen.

Voor Sony-dealers en installateurs:

Schenk voldoende aandacht aan de veiligheid tijdens de installatie, het periodiek onderhoud en het onderzoek van dit product.

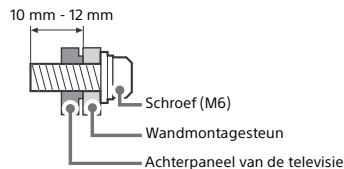
Installatie-informatie Wandmontagesteun

De gebruiksaanwijzing van deze televisie geeft alleen de stappen voor installatie van de televisie voor wandmontage, voordat deze op de wand wordt gemonteerd. Zie voor instructies over montage van de Wandmontagesteun de installatie-informatie (Wandmontagesteun) op de productpagina van uw televisiemodel. <https://www.sony.eu/support>

De wandmontage-installatie voorbereiden

Zorg ervoor dat u de tafelstandaard bevestigt voordat u de tv aan de muur monteert door de installatiehandleiding te raadplegen.

- Maak de televisie klaar voor de Wandmontagesteun voor u de kabelverbindingen tot stand brengt.
- Volg de instructiegids die bij de Wandmontagesteun voor uw model geleverd is. Er is voldoende ervaring vereist om deze televisie te installeren, met name om te bepalen of de wand het gewicht van de televisie kan dragen.
- Vertrouw de bevestiging van dit product op de wand toe aan Sony-verkopers of erkende aannemers en schenk voldoende aandacht aan de veiligheid tijdens de installatie. Sony is niet aansprakelijk voor schade of letsels als gevolg van onjuist handelen of onjuiste installatie.
- De schroeven voor de Wandmontagesteun zijn niet bijgeleverd.
- Laat wandinstallaties alleen door gekwalificeerd servicepersoneel uitvoeren.
- Het wordt om veiligheidsredenen aanbevolen accessoires van Sony te gebruiken, zoals:
 - Wandmontagesteun SU-WL450
- Gebruik de schroeven die bij de Wandmontagesteun geleverd zijn voor het bevestigen van de Wandmontagesteun aan het televisietoestel. De bijgeleverde schroeven zijn ontworpen zoals aangegeven op de afbeelding, wanneer gemeten vanaf het bevestigingsoppervlak van de Wandmontagesteun. De diameter en de lengte van de schroeven verschillen naar gelang het model van de Wandmontagesteun. Het gebruik van andere schroeven dan de meegeleverde schroeven kan resulteren in interne schade van het televisietoestel of kan ertoe leiden dat de televisie valt enz.

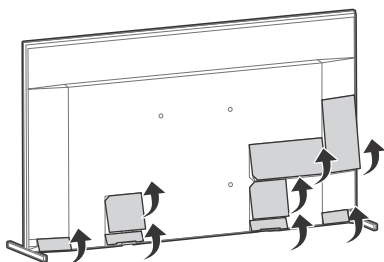


- Bewaar de ongebruikte schroeven en de tafelstandaard op een veilige plaats voor het geval u de tafelstandaard opnieuw wilt bevestigen. Houd de schroeven op een veilige afstand van kleine kinderen.

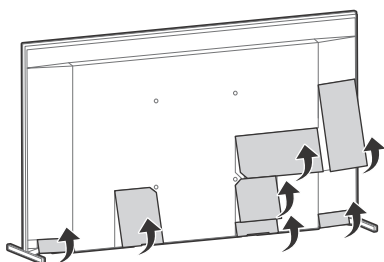
* Beperkt tot bepaalde regio's/landen/tv-modellen.

- 1 Verwijder de afdekkingen van de aansluitingen.

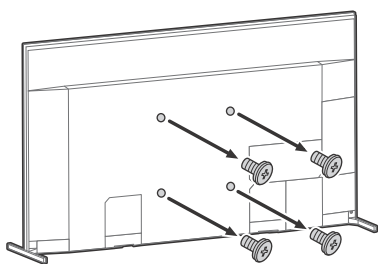
KD-85ZH8



KD-75ZH8



- 2 Verwijder de schroeven aan de achterzijde van de televisie.



Problemen oplossen

Voer de volgende stappen uit bij het oplossen van algemene problemen zoals: zwart scherm, geen geluid, bevroren beeld, televisie reageert niet of geen verbinding met netwerk.

- 1 Herstart de tv door de aan-/uitknop op de afstandsbediening ongeveer vijf seconden in te drukken. De televisie zal herstarten. Haal de stekker uit het stopcontact als de tv niet wordt hersteld. Druk daarna op de aan/uitknop op de tv en laat deze los. Wacht ongeveer twee minuten en steek dan de stekker in het stopcontact.
- 2 Zie het Helpmenu door **HELP** in te drukken op de afstandsbediening.
- 3 Sluit de televisie aan op het internet en voer een software-update uit. Sony adviseert u om de software van uw tv up to date te houden. Software-updates zorgen voor nieuwe functies en betere prestaties.
- 4 Bezoek de Sony ondersteuningswebsite (informatie aangegeven aan het einde van deze handleiding).

Wanneer u de stekker van de tv in het stopcontact steekt, kan de tv mogelijk gedurende enige tijd niet worden ingeschakeld, zelfs niet als u op de aan-/uitknop op de afstandsbediening of op de tv drukt.

Het initialiseren van het systeem neemt enige tijd in beslag. Wacht ongeveer een minuut en probeer het daarna opnieuw.

De afstandsbediening werkt niet.

- Vervang de batterijen.

Het wachtwoord kinderslot is vergeten.

- Voer de 9999 en voer de nieuwe PIN-code in.

	Voor meer informatie over het oplossen van problemen, zie de Helpgids.
--	--

Specificaties

Systeem

Beeldschermstelsel: LCD-scherm (Liquid Crystal Display), LED-achtergrondverlichting

TV-systeem: Afhangelijk van uw land/
regioselectie/televisiemodel

Analoog: B/G, D/K, I

Digitaal: DVB-T/DVB-C/DVB-T2*1

Satelliet*1: DVB-S/DVB-S2

Kleurensysteem: PAL/SECAM/NTSC3.58 (alleen video)/NTSC4.43 (alleen video)

Beschikbare kanalen: Afhangelijk van uw land/
regioselectie/televisiemodel

Analoog: UHF/VHF/Kabel

Digitaal: UHF/VHF/Kabel

Satelliet*1: IF-frequentie 950-2.150 MHz

Geluidsuitgang: 12,5 W + 12,5 W + 12,5 W +
12,5 W + 5 W + 5 W

Draadloze technologie

Protocol IEEE 802.11a/b/g/n/ac

Bluetooth® versie 4.2

Frequentieband(en)

Frequentiebereik	Uitgangsvermogen
Draadloos LAN (TV)	
2.400-2.483,5 MHz	< 20,0 dBm
5.150-5.250 MHz	< 23,0 dBm
5.250-5.350 MHz	< 20,0 dBm
5.470-5.725 MHz	< 20,0 dBm
5.725-5.850 MHz	< 13,9 dBm
Bluetooth® (TV)	
2.400-2.483,5 MHz	< 10,0 dBm
Bluetooth® (Afstandsbediening)	
2.400-2.483,5 MHz	< 10,0 dBm

Ingangs-/uitgangsaansluitingen

Antenne/kabel

75 ohm externe aansluiting voor VHF/UHF

Satellietantenne*1

Vrouwelijke F-aansluiting, 75 ohm.

DiSEqC 1.0, LNB 13 V/18 V & 22 kHz-toon,
enkele kabel distributie volgens EN50494.

 /  AV IN

A/V-ingang (mini-aansluiting)

HDMI IN 1/2/3/4 (Voldoet aan HDCP 2.3)

Video:

4096 × 2160p (50, 60 Hz)*2*3, 4096 × 2160p
(24 Hz)*2, 3840 × 2160p (50, 60 Hz)*3, 3840 ×
2160p (24, 25, 30 Hz), 1080p (30, 50, 60, 100,
120 Hz), 1080/24p, 1080i (50, 60 Hz), 720p
(30, 50, 60 Hz), 720/24p, 576p, 480p,
Pc-formaten*4

7680 × 4320p (24, 25, 30, 50, 60 Hz)*4*5,
3840 × 2160p (100, 120 Hz)*4*5

Audio:

In eARC (Enhanced Audio Return Channel)-
modus

Voor meer informatie zie de Helpgids.

Behalve eARC-modus

5,1-kanaals lineaire PCM: 32/44,1/48/88,2/
96/176,4/192 kHz 16/20/24 bits, Dolby
Audio, Dolby Atmos, DTS

eARC/ARC (Enhanced Audio Return Channel/
Audio Return Channel) (alleen HDMI IN 3)*6

In eARC-modus

Voor meer informatie zie de Helpgids.

In ARC-modus

Tweekanaals lineaire PCM: 48 kHz 16 bits,
Dolby Audio, Dolby Atmos, DTS


 DIGITAL AUDIO OUT (OPTICAL)

Digitale optische aansluiting (tweekanaals
lineaire PCM: 48 kHz 16 bits, Dolby Audio, DTS)

 (stereo miniaansluiting)

Hoofdtelefoon

 1,  2,  3 (HDD REC)*7

Poort voor USB-apparaat ( 3 USB

HDD-apparaat voor REC-functie)

USB-poort 1 en 2 bieden ondersteuning voor
High Speed USB (USB 2.0)

USB-poort 3 biedt ondersteuning voor Super
Speed USB (USB 3.1 Gen 1)



CAM-sleuf (Conditional Access Module)



LAN

10BASE-T/100BASE-TX-stekker (Afhankelijk
van de besturingsomgeving van het netwerk
kan de verbindingssnelheid variëren. De
communicatiesnelheid en kwaliteit zijn niet
gegarandeerd.)

CENTER SPEAKER IN

Middelste luidsprekeringang (poolklem)

NL

Voeding, productfiche en overige

Stroomvereisten

220 V - 240 V AC, 50 Hz

Energie-efficiëntieklasse

KD-85ZH8: C

KD-75ZH8: C

Schermgrootte (diagonaal gemeten) (ong.)

KD-85ZH8: 214,8 cm / 85 inch

KD-75ZH8: 189,3 cm / 75 inch

Stroomverbruik

In stand [Standaard]

KD-85ZH8: 487 W

KD-75ZH8: 361 W

In stand [Levendig]

KD-85ZH8: 815 W

KD-75ZH8: 590 W

Jaarlijks energieverbruik*⁸

KD-85ZH8: 675 kWh per jaar

KD-75ZH8: 501 kWh per jaar

Stand-by vermogensgebruik*^{9,10}

KD-85ZH8: 0,50 W (63 W in de stand voor
bijwerken van de software/EPG)

KD-75ZH8: 0,50 W (52 W in de stand voor
bijwerken van de software/EPG)

Beeldschermresolutie

7.680 punten (horizontaal) × 4.320 lijnen
(verticaal)

Uitvoer vermogen

USB 1/2

5 V $\overline{=}$, 500 mA MAX

USB 3

5 V $\overline{=}$, 900 mA MAX

Afmetingen (ong.) (b × h × d) (cm)

met tafelstandaard

Standaardpositie:

KD-85ZH8: 192,0 × 111,7 × 42,8

KD-75ZH8: 169,6 × 98,6 × 35,6

Smalle positie:

KD-85ZH8: 190,4 × 112,0 × 42,8

KD-75ZH8: 168,0 × 98,9 × 35,6

zonder tafelstandaard

KD-85ZH8: 190,4 × 110,9 × 8,4

KD-75ZH8: 168,0 × 97,7 × 8,4

Breedte van de standaard (ong.) (cm)

Standaardpositie:

KD-85ZH8: 192,0

KD-75ZH8: 169,6

Smalle positie:

KD-85ZH8: 86,5

KD-75ZH8: 62,3

Gewicht (ong.) (kg)

met tafelstandaard

Standaardpositie:

KD-85ZH8: 67,8

KD-75ZH8: 49,9

Smalle positie:

KD-85ZH8: 67,3

KD-75ZH8: 49,4

zonder tafelstandaard

KD-85ZH8: 65,6

KD-75ZH8: 47,9

Andere

Optionele accessoires

Wandmontagesteun: SU-WL450

Bedrijfstemperatuur: 0 °C – 40 °C

Bedrijfsvochtigheid: 10 % – 80 % relatieve
luchtvochtigheid (zonder condensatie)

*1 Niet alle tv-toestellen zijn uitgerust met DVB-T2- of DVB-S/S2-technologie of hebben een satellietantenneaansluiting.

*2 Als 4096 × 2160p de invoer is en [Wide-modus] is ingesteld op [Normaal], dan wordt de resolutie weergegeven als 3840 × 2160p. Om 4096 × 2160p weer te geven, stel [Wide-modus] in op [Volb. 1] of [Volb. 2].

*3 Voor ondersteuning van 18 Gbps stel [Indeling HDMI-sigitaal] in op Verbeterde indeling.

*4 Voor meer informatie zie de online Helpgids.

*5 Alleen HDMI IN 4.

*6 Wilt u het audiosignaal van de televisie naar het audiosysteem sturen, sluit dan uw audiosysteem aan op HDMI IN 3.

*7 Beperkt tot bepaalde regio's/landen/tv-modellen.

*8 Energieverbruik per jaar in kWh, gebaseerd op het stroomverbruik van een televisie die 365 dagen werkt gedurende 4 uur per dag. Het eigenlijke energieverbruik zal afhangen van de manier waarop de televisie wordt gebruikt.

*9 Het gespecificeerde stand-by vermogen wordt bereikt als de televisie de benodigde interne processen heeft voltooid.

*10 Het stand-bystroomverbruik neemt toe wanneer uw televisie aangesloten is op het netwerk.

Opmerkingen

- De beschikbaarheid van optionele accessoires is afhankelijk van uw land/regio/tv-model/voorraad.
- Ontwerp en specificaties kunnen zonder voorafgaande kennisgeving worden gewijzigd.
- Abonnementen voor services en applicaties zijn mogelijk vereist en extra algemene voorwaarden en/of kosten kunnen van toepassing zijn wanneer u de Google Assistant gebruikt.

Opmerkingen over de digitale televisiefunctie

- Digitale televisie (DVB, ether, satelliet en kabel), interactieve diensten en netwerkfuncties zijn wellicht niet in alle landen of gebieden beschikbaar. Sommige functies kunnen niet zijn ingeschakeld of werken wellicht niet goed bij bepaalde aanbieders en netwerkomgevingen. Bepaalde aanbieders van televisiediensten kunnen voor hun service kosten in rekening brengen.
- Deze televisie ondersteunt digitale uitzendingen met gebruik van MPEG-2, H.264/MPEG-4 AVC en H.265/HEVC codecs, maar ondersteuning van alle bedienings-/onderhoudssignalen die in de loop der tijd kunnen wijzigen, kan niet worden gegarandeerd.

Informatie over handelsmerken

- De begrippen HDMI, HDMI High-Definition Multimedia Interface en het HDMI-logo zijn handelsmerken of geregistreerde handelsmerken van HDMI Licensing Administrator, Inc. in de Verenigde Staten en andere landen.
- Dolby, Dolby Vision, Dolby Atmos, Dolby Audio, en het dubbele-D-symbool zijn handelsmerken van Dolby Laboratories. Geproduceerd onder licentie van Dolby Laboratories. Vertrouwelijke ongepubliceerde werken. Copyright © 2012-2018 Dolby Laboratories. Alle rechten voorbehouden.
- Gracenote, het Gracenote-logo en -logotype, en het logo "Powered by Gracenote" zijn geregistreerde handelsmerken of handelsmerken van Gracenote, Inc. in de Verenigde Staten en/of in andere landen.
- Google, Google Play, Chromecast, YouTube, Android TV en andere hieraan gerelateerde merken en logo's zijn handelsmerken van Google LLC.
- Raadpleeg <http://patents.dts.com> voor meer informatie over DTS-patenten. Geproduceerd onder licentie van DTS, Inc. DTS, het symbool, DTS en het symbool samen en Digital Surround zijn gedeponeerde handelsmerken of handelsmerken van DTS Inc. in de Verenigde Staten en/of andere landen. © DTS, Inc. Alle rechten voorbehouden.
- Netflix is een gedeponeerd handelsmerk van Netflix, Inc.

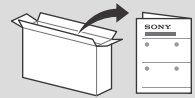
- DiSEqC™ is een handelsmerk van EUTELSAT. Deze tv biedt ondersteuning voor DiSEqC 1.0. Deze tv is niet geschikt voor het aansturen van gemotoriseerde antennes.
- TUXERA is een gedeponeerd handelsmerk van Tuxera Inc. in de VS en andere landen.
- Alle andere handelsmerken zijn eigendom van de betreffende eigenaren.

Über die Anleitungen

Dieses Fernsehgerät wird mit den folgenden Anleitungen geliefert. Bewahren Sie die Anleitungen zum späteren Nachschlagen auf.

Einrichtungshandbuch

- Installation und Einrichtung des Fernsehgeräts.



Referenzanleitung (diese Anleitung) / Sicherheitsdokumentation

- Sicherheitsinformation, Fernbedienung, Störungsbehebung, Wandmontage, Technische Daten usw.



Hilfe (On-screen-Anleitung)

- Einstellungen, Android-TV-Funktionen, Internetverbindung, Störungsbehebung usw.
- Zum Öffnen drücken Sie die **HELP**-Taste an der Fernbedienung und wählen Sie Hilfe.



- Sie können die Hilfe mit Ihrem Smartphone aufrufen.



https://rd1.sony.net/help/tv/haep1/h_aep/

WICHTIG – Lesen Sie die Endbenutzer-Lizenzvereinbarung, bevor Sie Ihr Sony-Produkt verwenden. Die Verwendung Ihres Produkts bedeutet, dass Sie die Endbenutzer-Lizenzvereinbarung akzeptieren. Die Endbenutzer-Lizenzvereinbarung zwischen Ihnen und Sony ist online auf der Sony-Website (<http://www.sony.net/tv-software-licences/>) oder auf Ihrem Produkt-Bildschirm verfügbar. Wechseln Sie zu [Einstellungen] → [Geräteeinstellungen] → [Info] → [Rechtliche Hinweise] → [Hinweise und Lizenzen].

Hinweis

- Lesen Sie sich vor der Bedienung des Fernsehgeräts die „Sicherheitsinformationen“ durch.
- Lesen Sie die mitgelieferte Sicherheitsdokumentation für zusätzliche Sicherheitsinformationen.
- Darstellungen und Abbildungen, die im Einrichtungshandbuch und in dieser Anleitung verwendet werden, dienen nur der Referenz und können vom tatsächlichen Produkt abweichen.
- Das „xx“ das in der Modellbezeichnung angegeben wird, entspricht einer Ziffer, die sich auf das Design, die Farbe oder das System des Fernsehgeräts bezieht.

Position des Bezeichnungsschildes

Aufkleber mit Modellnummer, Herstellungsdatum (Jahr/Monat) und Bemessungsdaten für die Betriebsspannung befinden sich auf der Rückseite des Fernsehgeräts oder auf der Verpackung. Sie finden sie, wenn Sie die Anschlussabdeckung entfernen.

WICHTIGER HINWEIS

Hinweis für Funkgeräte

Hiermit erklärt Sony Corporation, dass die Funkanlagentypen KD-85ZH8, KD-75ZH8 der Richtlinie 2014/53/EU entsprechen. Der vollständige Text der EU-Konformitätserklärung ist unter der folgenden Internetadresse verfügbar: <http://www.compliance.sony.eu/>

Hinweis für Kunden: Die folgenden Informationen gelten nur für Geräte, die in Ländern verkauft werden, in denen EU-Richtlinien gelten.

Für dieses Funkgerät gelten die folgenden Einschränkungen für die Inbetriebnahme oder Anforderungen an die Betriebszulassung in AT, BE, HR, CY, CZ, DK, EE, FI, FR, DE, EL, HU, IE, IT, LV, LT, LU, MT, NL, PL, PT, SK, SI, ES, SE, UK, IS, LI, NO, CH, BG, RO, TR, AL, BA, MK, MD, RS, ME, Kosovo :
Das Frequenzband 5.150 - 5.350 MHz ist auf den Einsatz drinnen beschränkt.

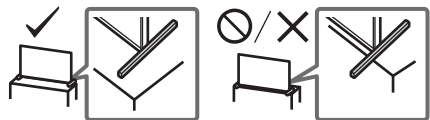
Sicherheitsinformationen

Installation/Einstellung

Installieren und benutzen Sie das Fernsehgerät unter Berücksichtigung der im Folgenden angegebenen Anweisungen, um alle Risiken wie Feuer, Stromschlag oder Beschädigungen und/oder Verletzungen zu vermeiden.

Installation

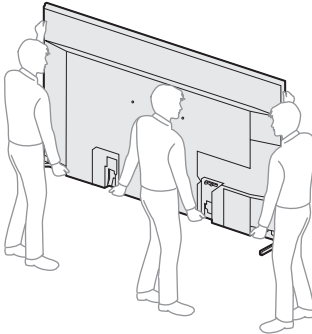
- Das Fernsehgerät sollte neben einer frei zugänglichen Netzsteckdose installiert werden.
- Stellen Sie das Fernsehgerät auf eine stabile, ebene Oberfläche, um zu verhindern, dass es herunterfällt und Personenschäden oder Sachschäden verursacht.
- Stellen Sie das Fernsehgerät an einem Ort auf, an dem es nicht gezogen, verschoben oder umgestoßen werden kann.
- Stellen Sie das Fernsehgerät so auf, dass der Tischständer des Fernsehgeräts nicht über den Fernsehständer (nicht mitgeliefert) hinausragt. Wenn der Tischständer über den Fernsehständer hinausragt, kann das Fernsehgerät umkippen und herunterfallen, was zu Verletzungen bzw. Schäden am Fernsehgerät führen kann.



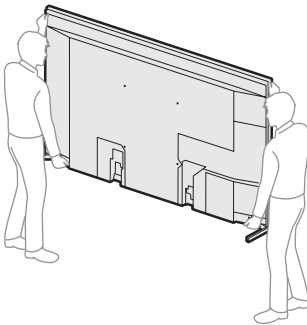
Transport

- Vor dem Transport des Fernsehgeräts ziehen Sie bitte alle Kabel aus dem Gerät.
- Zum Transport eines großen Fernsehgeräts sind zwei oder mehr Personen (drei oder mehr Personen für KD-85ZH8) nötig.
- Wenn Sie das Fernsehgerät ohne Hilfsmittel transportieren, halten Sie es wie unten dargestellt. Üben Sie weder auf den LCD-Bildschirm noch auf den Bildschirmrahmen Druck aus.

KD-85ZH8

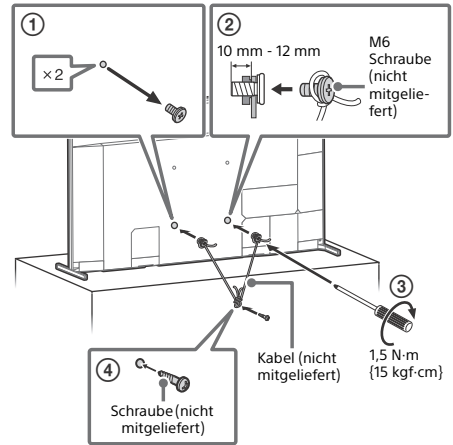


KD-75ZH8



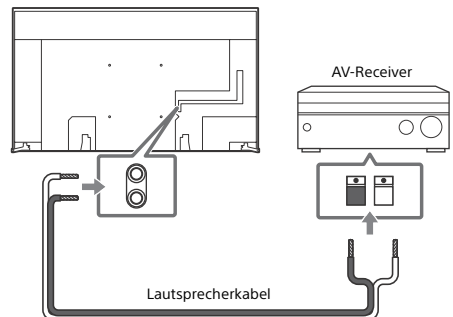
- Setzen Sie das Fernsehgerät beim Transport weder Stößen noch starken Erschütterungen aus.
- Wenn Sie das Fernsehgerät für Reparaturen oder bei einem Umzug transportieren müssen, verpacken Sie es mithilfe der Originalverpackungsmaterialien im Originalkarton.

Verhinderung des Umklippens

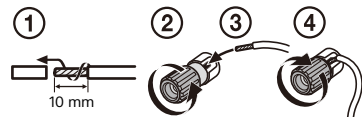


DE

Verwendung des Fernsehgeräts als Center-Lautsprecher



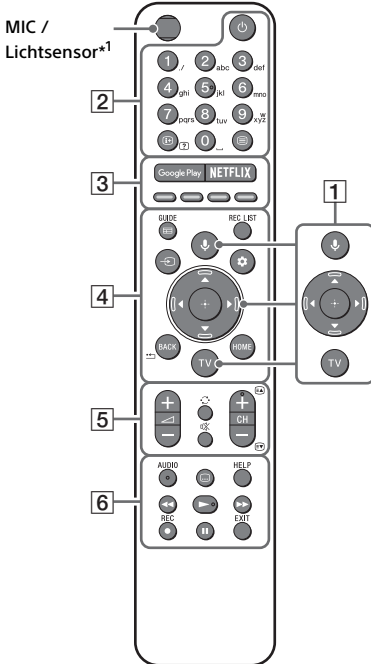
- Trennen Sie das Netzkabel des Fernsehers und des AV-Receiver, bevor Sie Kabel anschließen.
- Stellen Sie sicher, dass [Lautsprecher] auf [Audiosystem] eingestellt ist.



Um Zischgeräusche zu verhindern, wenn der CENTER SPEAKER IN nicht mit einem AV-Receiver verbunden ist, deaktivieren Sie [TV-Center-Lautsprechermodus]. Einzelheiten finden Sie in der Hilfe.

Fernbedienung und Fernseher

Die Form der Fernbedienung sowie die Position, Verfügbarkeit und Funktion der Fernbedienungstasten kann abhängig von der Region/vom Land/vom Fernsehgerät-Modell variieren.



- 1 **🗣️ (Mikrofon):** Verwenden Sie Google Assistant*2*3 oder Sprachsuche*3. Für Hinweise zur Steuerung Ihres Fernsehgeräts drücken Sie die Taste **🗣️** (Mikrofon) und sprechen Sie die Phrase „Hinweise zur Spracherkennung“.*2

▲/▼/◀/▶/⊕: Navigation und Auswahl auf dem Bildschirmmenü.

TV: Rufen Sie die TV-Kanalliste auf oder schalten Sie auf einen Eingang.

- 2 **📺 (TV-Bereitschaft)
Zifferntasten**

ℹ️/? (Info/Text aufdecken): Zeigt Informationen an.

📄 (Text): Diese Taste zeigt Textinformationen an.

- 3 **Google Play / NETFLIX*2 / Farbtasten**

- 4 **GUIDE/📺:** Rufen Sie die Digitalprogrammführung von Fernsehgerät oder Receiver auf*2*4.

REC LIST: Aufnahmeliste von USB HDD/DVR*4 anzeigen lassen.

➡️ **(Eingangswahl):** Eingangsquelle usw. anzeigen lassen und auswählen.

⚙️ **(Schnelleinstellungen):**

Schnelleinstellungen anzeigen lassen.

BACK/⬅️

HOME

- 5 **↔️ +/- (Lautstärke)**

↺↻ **(Springen)**

🔇 **(Stummschalten)*5**

CH +/-/📺/📺: Wählen Sie den Kanal oder die nächste (📺) oder vorherige (📺) Seite.

- 6 **AUDIO:** Auswahl von mehrsprachigem Ton oder Zweikanalton (abhängig von der Programmquelle).

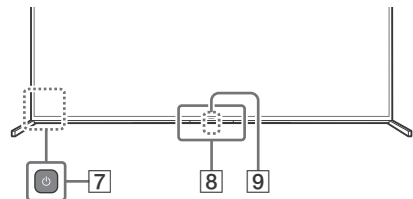
⋮ **(Untertitелеinstellung)**

HELP: Zeigen Sie das Hilfe-Menü an.

◀️/▶️/▶️▶️/⏸️

● **REC:** Aufnahme des Programms, das derzeit wiedergegeben wird, auf USB HDD/DVR*4.

EXIT

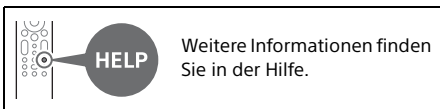


- 7 **📺 (Ein/Aus)**

- 8 **Sensor der Fernbedienung / Lichtsensor / LED*6**

- 9 **Integriertes Mikrofon*2*3*7:** Um das integrierte Mikrofon zu aktivieren, drücken auf der Fernbedienung die Taste **🗣️** (Mikrofon) und folgen Sie den Anweisungen auf dem Bildschirm.

- *1 Die Hintergrundbeleuchtung der Fernbedienung leuchtet auf, wenn der Lichtsensor erkennt, dass das Umgebungslicht schwach ist. Die automatische Hintergrundbeleuchtung kann ausgeschaltet werden.
- *2 Nur in bestimmten Regionen/Ländern bzw. für bestimmte Fernsehmodelle/Sprachen.
- *3 Der Google Assistant oder die Sprachsuche erfordern eine Internetverbindung.
- *4 Die Einstellung [Receiver-Einrichtung] ist erforderlich.
- *5 Tastenkombinationen für Eingabehilfen stehen zur Verfügung, indem ⓧ (Stummschalten) gedrückt gehalten wird.
- *6 Die eingebaute MIC LED ist ebenfalls enthalten.
- *7 Die Leistungsaufnahme im Standby erhöht sich, da das integrierte Mikrofon immer zuhört, wenn es aktiviert ist.



Montieren des Fernsehgeräts an der Wand

Verwenden der optionalen Wandhalterung (SU-WL450)* (nicht mitgeliefert)

An die Kunden:

Aus Gründen des Produktschutzes und aus Sicherheitsgründen empfiehlt Sony dringend, die Montage des Fernsehgeräts von Sony-Händlern oder lizenzierten Fachleuten durchführen zu lassen. Versuchen Sie nicht, es selbst zu montieren.

An Sony-Händler und -Fachleute:

Widmen Sie während der Montage, der regelmäßigen Wartung und der Überprüfung dieses Produkts Ihre volle Aufmerksamkeit der Sicherheit.

Installationsinformationen Wandhalterung

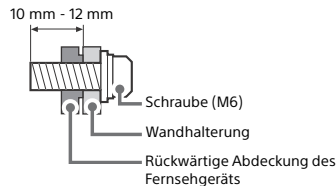
Die Anleitung dieses Fernsehgeräts enthält nur die Schritte, um das Fernsehgerät für die Wandmontage vorzubereiten, bevor es an der Wand angebracht wird. Anleitungen zur Montage der Wandhalterung finden Sie in den Installationshinweisen (Wandhalterung) auf der Produktseite Ihres Fernsehgerätsmodells.

<https://www.sony.eu/support>

Vorbereitung für die Wandmontage

Stellen Sie sicher, dass Sie den Tischständer anbringen, bevor Sie den Fernseher an der Wand befestigen. Beachten Sie dazu das Einrichtungshandbuch.

- Bereiten Sie das Fernsehgerät für die Wandhalterung vor, bevor Sie die Kabelanschlüsse herstellen.
- Befolgen Sie die Gebrauchsanweisung im Lieferumfang der Wandhalterung für Ihr Modell. Für die Montage dieses Fernsehgeräts ist ausreichendes Fachwissen erforderlich, insbesondere um die Stärke der Wand zu bestimmen, die dem Gewicht des Fernsehgeräts standhalten kann.
- Achten Sie darauf, dass Sie die Befestigung des Produkts an der Wand Sony-Händlern oder lizenzierten Fachleuten überlassen, und achten Sie während der Montage ausreichend auf die Sicherheit. Sony haftet nicht für Schäden oder Verletzungen durch eine fehlerhafte Handhabung oder unsachgemäße Montage.
- Die Schrauben für die Wandhalterung werden nicht mitgeliefert.
- Wandeinbauten sollten nur von qualifiziertem Fachpersonal ausgeführt werden.
- Aus Sicherheitsgründen wird dringend empfohlen, ausschließlich Sony Zubehörteile zu verwenden, inklusive:
 - Wandhalterung SU-WL450
- Verwenden Sie unbedingt die Schrauben im Lieferumfang der Wandhalterung, wenn Sie die Wandhalterung am Fernsehgerät befestigen. Die mitgelieferten Schrauben sind, gemessen von der Befestigungsfläche der Wandhalterung, wie in der Abbildung dargestellt konzipiert. Durchmesser und Länge der Schrauben variieren je nach Modell der Wandhalterung. Durch die Verwendung anderer als der mitgelieferten Schrauben kann das Fernsehgerät beschädigt werden oder herunterfallen.

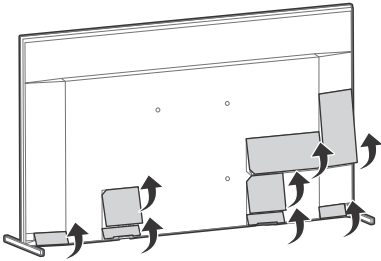


- Lagern Sie die nicht verwendeten Schrauben sowie den Tischständer an einem sicheren Ort, bis Sie den Tischständer anbringen möchten. Halten Sie die Schrauben von kleinen Kindern fern.

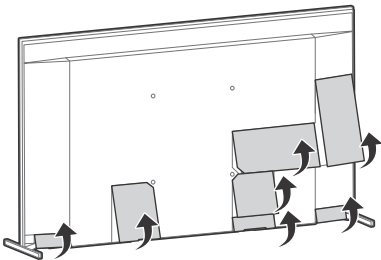
* Nur in bestimmten Regionen/Ländern bzw. für bestimmte Fernsehmodelle.

1 Entfernen Sie die Anschlussabdeckungen.

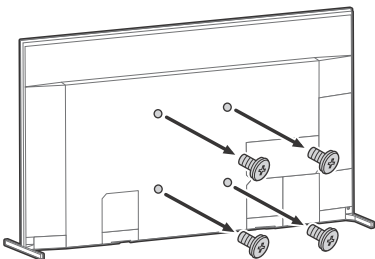
KD-85ZH8



KD-75ZH8



2 Entfernen Sie die Schrauben von der Rückseite des Fernsehgeräts.



Störungsbehebung

Zur allgemeinen Störungsbehebung bei Fehlern wie Schwarzbild, kein Ton, eingefrorenes Bild, Fernsehgerät reagiert nicht oder Netzwerk verloren führen Sie die folgenden Schritte aus.

- 1 Starten Sie Ihr Fernsehgerät neu, indem Sie die Netztaaste auf der Fernbedienung etwa fünf Sekunden lang drücken. Das Fernsehgerät wird neu gestartet. Wenn das Fernsehgerät nicht wiederhergestellt wird, ziehen Sie das Netzkabel. Drücken Sie dann die Netztaaste am Fernsehgerät und lassen Sie sie los. Warten Sie zwei Minuten und schließen Sie das Netzkabel an.
- 2 Schlagen Sie im Hilfe-Menü nach, indem Sie auf der Fernbedienung die Taste **HELP** drücken.
- 3 Verbinden Sie Ihr Fernsehgerät mit dem Internet, und führen Sie ein Softwareupdate durch. Sony empfiehlt, die Software des Fernsehgeräts zu aktualisieren. Softwareupdates verbessern die Leistung oder fügen neue Funktionen hinzu.
- 4 Besuchen Sie die Sony-Supportwebsite (Informationen finden Sie am Ende dieser Anleitung).

Wenn Sie das Fernsehgerät anschließen, lässt es sich unter Umständen nicht sofort wieder durch Drücken der Ein-/Ausschalttaaste auf der Fernbedienung oder am Fernsehgerät einschalten.


Es dauert eine Weile, das System zu initialisieren. Warten Sie ungefähr eine Minute und versuchen Sie es dann erneut.

Die Fernbedienung funktioniert nicht.

- Tauschen Sie die Batterien aus.

Das Passwort für die Kindersicherung wurde vergessen.

- Geben Sie 9999 als PIN ein, und geben Sie dann die neue PIN ein.



Weitere Informationen zur Störungsbehebung finden Sie in der Hilfe.

Technische Daten

System

Bildschirmsystem: LCD-Bildschirm
 (Flüssigkristallbildschirm),
 LED-Hintergrundbeleuchtung
 Fernsehnorm: Abhängig von Landes-/
 Bereichsauswahl/Fernsehgerätemodell
 Analog: B/G, D/K, I
 Digital: DVB-T/DVB-C/DVB-T2*1
 Satellit*1: DVB-S/DVB-S2
 Farbsystem: PAL/SECAM/NTSC3.58 (nur Video)/
 NTSC4.43 (nur Video)
 Kanalbereich: Abhängig von Landes-/
 Bereichsauswahl/Fernsehgerätemodell
 Analog: UHF/VHF/Kabel
 Digital: UHF/VHF/Kabel
 Satellit*1: IF Frequenz 950-2.150 MHz
 Tonausgänge: 12,5 W + 12,5 W + 12,5 W +
 12,5 W + 5 W + 5 W
 Wireless-Technologie
 Protokoll IEEE 802.11a/b/g/n/ac
 Bluetooth® Version 4.2
 Frequenzbänder

Frequenzbereich	Ausgangsleistung
WLAN (Fernseher)	
2.400-2.483,5 MHz	< 20,0 dBm
5.150-5.250 MHz	< 23,0 dBm
5.250-5.350 MHz	< 20,0 dBm
5.470-5.725 MHz	< 20,0 dBm
5.725-5.850 MHz	< 13,9 dBm
Bluetooth® (Fernseher)	
2.400-2.483,5 MHz	< 10,0 dBm
Bluetooth® (Fernbedienung)	
2.400-2.483,5 MHz	< 10,0 dBm

Eingangs-/Ausgangsbuchsen

Antenne/Kabel
 75 Ohm, externer Anschluss für VHF/UHF
 Satellitenantenne*1
 Buchsenverbindung vom Typ F, 75 Ohm.
 DiSEqC 1.0, LNB 13 V/18 V & 22 kHz Ton,
 Einkabelsystem EN50494.
 AV IN
 Video/Audio-Eingang (Miniklinke)

HDMI IN 1/2/3/4 (HDCP 2.3-kompatibel)

Video:
 4096 × 2160p (50, 60 Hz)*2*3, 4096 × 2160p
 (24 Hz)*2, 3840 × 2160p (50, 60 Hz)*3, 3840 ×
 2160p (24, 25, 30 Hz), 1080p (30, 50, 60, 100,
 120 Hz), 1080/24p, 1080i (50, 60 Hz), 720p
 (30, 50, 60 Hz), 720/24p, 576p, 480p,
 Computerformate*4
 7680 × 4320p (24, 25, 30, 50, 60 Hz)*4*5,
 3840 × 2160p (100, 120 Hz)*4*5

Audio:
 Im eARC (Enhanced Audio Return Channel)-
 Modus
 Weitere Einzelheiten finden Sie in der Hilfe.
 Außer eARC-Modus
 5,1-Kanal linear PCM: 32/44,1/48/88,2/96/
 176,4/192 kHz 16/20/24 Bit, Dolby Audio,
 Dolby Atmos, DTS

eARC/ARC (Enhanced Audio Return Channel/ Audio Return Channel) (nur HDMI IN 3)*6

Im eARC-Modus
 Weitere Einzelheiten finden Sie in der Hilfe.
 Im ARC-Modus
 Zwei Kanäle, lineares PCM: 48 kHz 16 Bit,
 Dolby Audio, Dolby Atmos, DTS

DIGITAL AUDIO OUT (OPTICAL)

Optische Digitalbuchse (zwei Kanäle, lineares
 PCM: 48 kHz 16 Bit, Dolby Audio, DTS)

(Stereo-Minibuchse)

Kopfhörer

USB-Geräteanschluss (HDD REC)*7

USB-Geräteanschluss (3 USB-HDD-Gerät
 für REC-Funktion)
 USB-Anschluss 1 und 2 unterstützen High-
 Speed-USB (USB 2.0)
 Der USB-Anschluss 3 unterstützt SuperSpeed-
 USB (USB 3.1 Gen 1)



Einschub CAM (Zugangskontrollmodul)



LAN

10BASE-T/100BASE-TX-Anschluss (Je nach
 Betriebsumgebung des Netzwerks kann die
 Verbindungsgeschwindigkeit variieren.
 Kommunikationsrate und
 Kommunikationsqualität können nicht
 garantiert werden.)

CENTER SPEAKER IN

Mittlerer Lautsprecher-Eingang (Polklemme)

Stromversorgung, Produktdatenblatt und anderes

Stromversorgung

220 V bis 240 V Wechselfspannung, 50 Hz

Energieeffizienzklasse

KD-85ZH8: C

KD-75ZH8: C

Bildschirmgröße (Diagonale) (Ca.)

KD-85ZH8: 214,8 cm / 85 Zoll

KD-75ZH8: 189,3 cm / 75 Zoll

Leistungsaufnahme

Im [Standard]-Modus

KD-85ZH8: 487 W

KD-75ZH8: 361 W

Im [Brillant]-Modus

KD-85ZH8: 815 W

KD-75ZH8: 590 W

Jährlicher Energieverbrauch*⁸

KD-85ZH8: 675 kWh pro Jahr

KD-75ZH8: 501 kWh pro Jahr

Stromverbrauch im Standby-Betrieb*⁹ × ¹⁰

KD-85ZH8: 0,50 W (63 W im Software-/EPG-Aktualisierungsmodus)

KD-75ZH8: 0,50 W (52 W im Software-/EPG-Aktualisierungsmodus)

Anzeigeauflösung

7.680 Punkte (horizontal) × 4.320 Zeilen (vertikal)

Ausgangsleistung

USB 1/2

5 V $\overline{=}$, 500 mA MAX

USB 3

5 V $\overline{=}$, 900 mA MAX

Abmessungen (Ca.) (B × H × T) (cm)

mit Tischständer

Standardposition:

KD-85ZH8: 192,0 × 111,7 × 42,8

KD-75ZH8: 169,6 × 98,6 × 35,6

Enge Position:

KD-85ZH8: 190,4 × 112,0 × 42,8

KD-75ZH8: 168,0 × 98,9 × 35,6

ohne Tischständer

KD-85ZH8: 190,4 × 110,9 × 8,4

KD-75ZH8: 168,0 × 97,7 × 8,4

Ständerbreite (Ca.) (cm)

Standardposition:

KD-85ZH8: 192,0

KD-75ZH8: 169,6

Enge Position:

KD-85ZH8: 86,5

KD-75ZH8: 62,3

Gewicht (Ca.) (kg)

mit Tischständer

Standardposition:

KD-85ZH8: 67,8

KD-75ZH8: 49,9

Enge Position:

KD-85ZH8: 67,3

KD-75ZH8: 49,4

ohne Tischständer

KD-85ZH8: 65,6

KD-75ZH8: 47,9

Sonstiges

Sonderzubehör

Wandhalterung: SU-WL450

Betriebstemperatur: 0 °C – 40 °C

Betriebsluftfeuchtigkeit: 10 % – 80 % relative Luftfeuchtigkeit (nicht kondensierend)

*1 Nicht alle Fernsehgeräte verfügen über DVB-T2- oder DVB-S/S2-Technologie oder Satellitenantennenanschluss.

*2 Wenn 4096 × 2160p eingegeben wird und [Wide-Modus] auf [Normal] eingestellt ist, wird die Auflösung als 3840 × 2160p angezeigt. Um 4096 × 2160p anzuzeigen, setzen Sie die Einstellung [Wide-Modus] auf [Voll 1] oder [Voll 2].

*3 Um 18 Gbps zu unterstützen, setzen Sie [HDMI-SignalfORMAT] auf Optimiertes Format.

*4 Weitere Einzelheiten finden Sie in der Online-Hilfe.

*5 Nur HDMI IN 4.

*6 Schließen Sie Ihr Audiosystem an HDMI IN 3 an, um den Fernsehern an Ihr Audiosystem weiterzuleiten.

*7 Nur in bestimmten Regionen/Ländern bzw. für bestimmte Fernsehmodelle.

*8 Der Energieverbrauch in kWh pro Jahr wurde basierend auf der Leistungsaufnahme des Fernsehgeräts bei einer Betriebsdauer von 4 Stunden täglich an 365 Tagen berechnet. Der tatsächliche Energieverbrauch hängt von der Verwendung des Fernsehgeräts ab.

*9 Der Stromverbrauch im Standby-Betrieb wird erreicht, nachdem das Fernsehgerät die notwendigen internen Prozesse abgeschlossen hat.

*10 Die Standby-Leistung steigt, wenn der Fernseher mit dem Netzwerk verbunden ist.

Hinweis

- Die Verfügbarkeit des optionalen Zubehörs hängt vom Land/der Region/dem Fernsehmodell/der Lagerhaltung ab.
- Änderungen, die dem technischen Fortschritt dienen, bleiben vorbehalten.
- Für die Nutzung des Google Assistant können Abonnements für Dienste und Anwendungen erforderlich sein, und es können zusätzliche Bedingungen, Bedingungen und/oder Gebühren gelten.

Hinweise zu Funktionen für digitale Sender

- Digitalfernsehen (terrestrisches DVB-T, Satellit und Kabel), interaktive Dienste und Netzwerkfunktionen sind möglicherweise nicht in allen Ländern oder Regionen verfügbar. Einige Funktionen sind möglicherweise bei einigen Anbietern und in manchen Netzwerkumgebungen nicht aktiviert oder funktionieren evtl. nicht ordnungsgemäß. Einige TV-Dienstleister verlangen u. U. eine Gebühr für ihre Dienste.
- Dieses Fernsehgerät unterstützt Digitalrundfunk mit MPEG-2-, H.264/MPEG-4 AVC- und H.265/HEVC-Codecs. Eine Kompatibilität mit allen Betreibern/ Dienstsignalen, die sich im Laufe der Zeit ändern können, kann jedoch nicht garantiert werden.

Information zu Warenzeichen

- Die Begriffe HDMI und HDMI High-Definition Multimedia Interface sowie das HDMI- Logo sind Marken oder eingetragene Marken von HDMI Licensing Administrator, Inc. in den Vereinigten Staaten und anderen Ländern.
- Dolby, Dolby Vision, Dolby Atmos, Dolby Audio und das Doppel-D-Symbol sind Warenzeichen von Dolby Laboratories. In Lizenz von Dolby Laboratories gefertigt. Vertrauliche unveröffentlichte Werke. Copyright © 2012-2018 Dolby Laboratories. Alle Rechte vorbehalten.
- Gracenote, das Gracenote-Logo und der Schriftzug sowie das Logo „Powered by Gracenote“ sind eingetragene Marken oder Marken von Gracenote, Inc. in den Vereinigten Staaten und/oder anderen Ländern.
- Google, Google Play, Chromecast, YouTube, Android TV und andere verwandte Marken und Logos sind Marken von Google LLC.
- Die DTS-Patente finden Sie unter <http://patents.dts.com>. Hergestellt unter Lizenz von DTS, Inc. DTS, das Symbol sowie DTS und das Symbol zusammen, und Digital Surround sind eingetragene Marken oder Marken von DTS, Inc. in den Vereinigten Staaten und/oder anderen Ländern. © DTS, Inc. Alle Rechte vorbehalten.
- Netflix ist eine eingetragene Marke von Netflix, Inc.
- DiSEqC™ ist ein Markenzeichen der EUTELSAT. Dieses Fernsehgerät unterstützt DiSEqC 1.0. Dieses Fernsehgerät eignet sich nicht zum Steuern von Motorantennen.

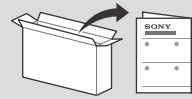
- TUXERA ist ein eingetragenes Markenzeichen der Tuxera Inc. in den USA und in anderen Ländern.
- Alle anderen Marken befinden sich im Besitz ihrer jeweiligen Eigentümer.

Sobre os manuais

Este televisor vem com os seguintes manuais. Guarde os manuais para futuras consultas.

Guia de configuração

- Instalação e configuração do televisor.



Guia de referência (este manual) / Documentação de segurança

- Informações de segurança, telecomando, resolução de problemas, instalação em parede, características técnicas, etc.



Guia de ajuda (Manual no ecrã)

- Definições, funções de Android TV, ligação à Internet, resolução de problemas, etc.
- Para abri-lo, prima o botão **HELP** no telecomando e selecione Guia de ajuda.



- Pode consultar o Guia de ajuda com o seu smartphone.



https://rd1.sony.net/help/tv/haep1/h_aep/

IMPORTANTE – Leia o Contrato de Licença de Software do Utilizador Final antes de utilizar o seu produto Sony. Utilizar o produto indica sua aceitação do Contrato de Licença de Software do Utilizador Final. O contrato de licença de software entre o utilizador e a Sony está disponível online no website da Sony (<http://www.sony.net/tv-software-licenses/>) ou no ecrã do seu produto. Vá a [Definições] → [Preferências do dispositivo] → [Acerca de] → [Informações legais] → [Avisos e licenças].

No que diz respeito a este equipamento de rádio, as seguintes restrições relativas à colocação em serviço ou dos requisitos de autorização de utilização aplicam-se em AT, BE, HR, CY, CZ, DK, EE, FI, FR, DE, EL, HU, IE, IT, LV, LT, LU, MT, NL, PL, PT, SK, SI, ES, SE, UK, IS, LI, NO, CH, BG, RO, TR, AL, BA, MK, MD, RS, ME, Kosovo : a banda 5.150 - 5.350 MHz está restringida apenas a operações no interior.

Informações de segurança

Nota

- Antes de utilizar o televisor, por favor leia “Informações de segurança”.
- Leia a documentação de segurança fornecida para obter informações de segurança adicionais.
- As imagens e ilustrações utilizadas no Guia de configuração e neste manual destinam-se a ser utilizadas apenas como referência e podem ser diferentes do produto real.
- O “xx” que aparece no nome do modelo corresponde a um dígito numérico, relacionado com o design, a cor ou o sistema do televisor.

Instalação/Programação

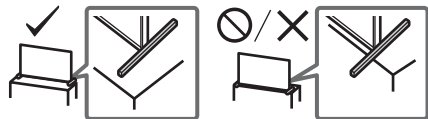
Instale e utilize o televisor conforme as instruções abaixo para evitar todo o risco de incêndio, choque elétrico ou avaria e/ou feridas.

Instalação

- O televisor deve ser instalado perto de uma tomada de corrente elétrica facilmente acessível.
- Coloque o televisor numa superfície nivelada e estável, para evitar que caia e provoque ferimentos pessoais ou danos no produto.
- Instale o televisor num local onde não possa ser puxado, empurrado ou derrubado.
- Instale o televisor de forma a que o Suporte de mesa do televisor não fique de fora do suporte do televisor (não fornecido). Se o Suporte de mesa ficar de fora do suporte do televisor, poderá levar a que o aparelho caia e provoque ferimentos pessoais ou danos no televisor.

Localização da etiqueta de identificação

As etiquetas com o N.º de Modelo, a Data de Fabrico (ano/mês) e a classificação de Alimentação encontram-se na parte traseira do televisor ou na embalagem. Podem ser encontradas removendo a capa do terminal.



AVISO IMPORTANTE

Aviso para Equipamento de Rádio

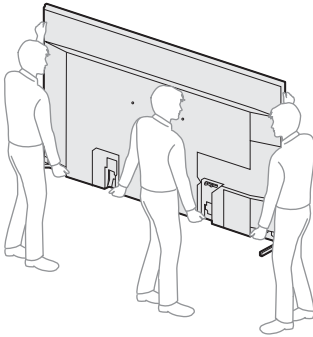
A Sony Corporation declara que os tipos de equipamento de rádio KD-85ZH8, KD-75ZH8 estão em conformidade com a Diretiva 2014/53/UE. O texto integral da declaração de conformidade está disponível no seguinte endereço de Internet: <http://www.compliance.sony.eu/>

Nota para os clientes: as seguintes informações apenas se aplicam a equipamento comercializado em países que aplicam as diretivas da UE.

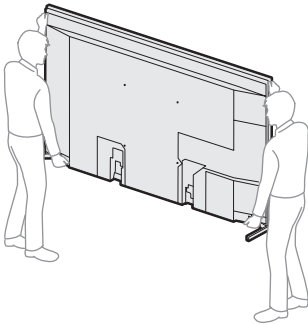
Transporte

- Antes de transportar o televisor, desligue todos os cabos.
- São necessárias duas ou mais pessoas (três ou mais pessoas KD-85ZH8) para transportar um televisor de tamanho grande.
- Ao transportar manualmente o televisor, segure-o conforme é apresentado abaixo. Não faça pressão sobre o painel LCD nem sobre a moldura em redor do ecrã.

KD-85ZH8

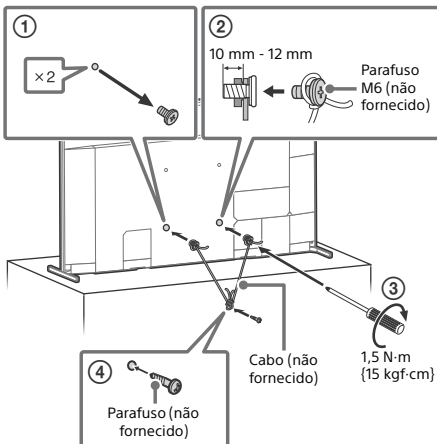


KD-75ZH8

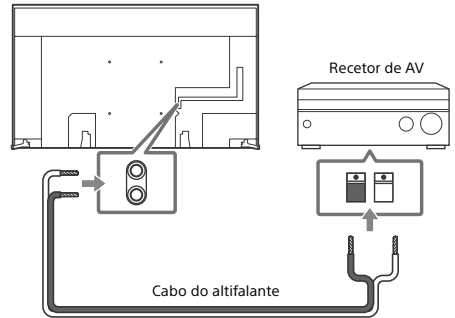


- Não exponha o televisor a choques ou vibrações excessivas durante o transporte.
- Se tiver que transportar o televisor ou levá-lo para reparações, utilize a caixa e os materiais de embalagem originais.

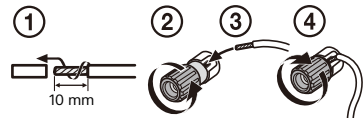
Prevenir quedas



Usar a Televisão como Altifalante Central



- Antes de ligar os cabos, desligue o cabo de alimentação do televisor e do recetor de AV.
- Certifique-se de que [Altifalante] está definido para [Sistema de áudio].

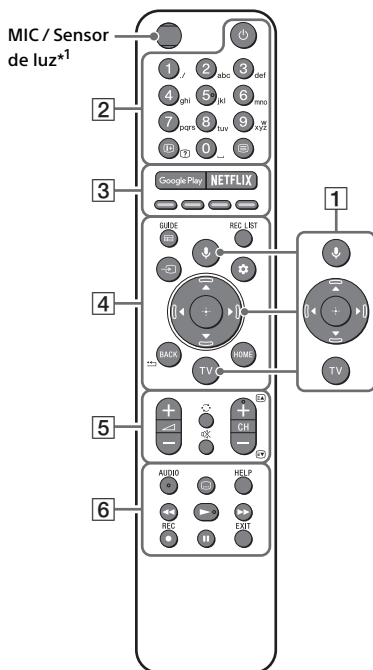


Para evitar um silvo quando não ligar a entrada CENTER SPEAKER IN a um recetor de AV, desative o [Modo de altifalante central da TV]. Para mais detalhes, consulte o Guia de ajuda.

PT

Telecomando e Televisor

A forma, localização, disponibilidade e função dos botões do telecomando pode variar, dependendo da região/país/modelo de televisor.



1 **🗣️ (Microfone):** Utilize o Assistente Google*2*3 ou a pesquisa por voz*3. Para sugestões sobre como controlar o seu televisor, prima o botão **🗣️** (Microfone) e fale a frase "sugestões de voz".*2

▲/▼/◀/▶/⊕: Menu de navegação e seleção no ecrã.

TV: Apresenta a lista de canais de TV ou muda para entrada.

2 **⏻ (Televisor em modo de espera) (standby)**

Botões numéricos

ℹ️/? (Revelação de Informação/ Teletexto): Apresentar informações.

☰ (Teletexto): Apresentar informações de teletexto.

3 **Google Play / NETFLIX*2 / Botões coloridos**

4 **GUIDE/☰:** Apresenta o guia de programas digital de TV ou o TV box de cabo*2*4.

REC LIST: Apresenta a lista Rec do USB HDD/DVR*4.

➡️ (Seleção de entrada): Apresenta e seleciona a fonte de entrada, etc.

⚙️ (Definições Rápidas): Apresenta as Definições Rápidas.

BACK/⬅️

HOME

5 **↔️ +/- (Volume)**

⏩ (Saltar)

🔇 (Sem som)*5

CH +/-/⏪/⏩: Seleciona o canal ou a página seguinte (⏪) / anterior (⏩).

6 **AUDIO:** Seleccione o som da fonte multilíngue ou som duplo (dependendo da fonte do programa).

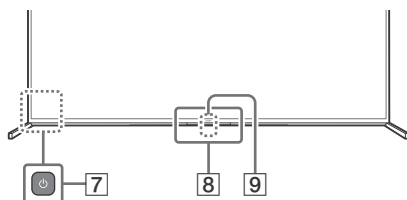
⋮ (Configurar legendas)

HELP: Apresentar menu de Ajuda.

⏮️/⏪/⏩/⏭

● REC: Grave o programa em visualização atualmente em USB HDD/DVR*4.

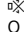
EXIT

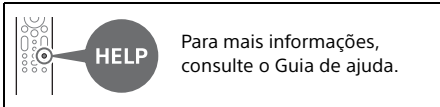


7 **⏻ (Alimentação)**

8 **Sensor do telecomando / Sensor de luz / LED*6**

9 **Microfone incorporado*2*3*7:** Para ativar o microfone incorporado, prima botão **🗣️** (Microfone) no telecomando e cumpra as instruções apresentadas no ecrã.

- *1 A luz de fundo do telecomando acenderá quando o sensor de luz detectar que a luz ambiente está baixa. A iluminação automática da luz de fundo pode ser desligada.
- *2 Apenas em determinadas regiões/países/modelos de televisor/idioma.
- *3 O Assistente Google ou a pesquisa por voz requer uma ligação à Internet.
- *4 [Configuração da TV box de cabo] é necessária a configuração.
- *5 O atalho de acessibilidade fica disponível ao manter  (Sem som) premido.
- *6 O LED do microfone incorporado é incluído também.
- *7 O consumo de energia no modo de espera aumentará pois o microfone incorporado está sempre em escuta quando ativado.



Instalar o televisor na parede

Utilizar o Suporte de parede opcional (SU-WL450)* (não fornecido)

Para os clientes:

Para proteção do produto e por razões de segurança, a Sony recomenda vivamente que a instalação do seu televisor seja efetuada por agentes Sony ou contratantes licenciados. Não tente instalá-lo por si próprio.

Para os agentes e contratantes da Sony:

Preste total atenção às medidas de segurança durante a instalação, manutenção periódica e análise deste produto.

Informações de instalação do Suporte de parede

Este manual de instruções do televisor fornece apenas os passos para preparar o televisor para a instalação na parede antes deste ser instalado na parede. Para obter instruções sobre a instalação do Suporte de parede, veja a Informação de Instalação (Suporte de parede) na página do produto para o modelo do seu televisor.

<https://www.sony.eu/support>

Preparação para a instalação na parede

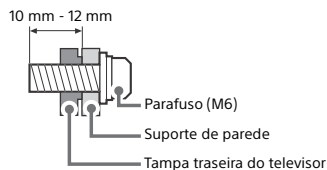
Certifique-se de que fixa o Suporte de mesa antes de instalar o Televisor na parede, consultando o Guia de configuração.

- Prepare o televisor para o Suporte de parede antes de efetuar as ligações com o cabo.
- Siga o guia de instruções fornecido com o Suporte de parede para o seu modelo. É necessária uma formação técnica adequada para instalar este televisor, especialmente para determinar a resistência da parede para suportar o peso do televisor.
- Certifique-se de que a instalação deste produto na parede é efetuada por agentes Sony ou por contratantes licenciados e preste atenção às medidas de segurança durante a instalação. A Sony não se responsabiliza por quaisquer danos ou ferimentos causados pela utilização indevida ou instalação incorreta.
- Os parafusos para o Suporte de parede não são fornecidos.
- Só técnicos de assistência qualificados devem realizar as instalações de Suporte de parede.
- Por razões de segurança, recomendamos fortemente que utilize acessórios da Sony, a incluir:

—Suporte de parede SU-WL450

- Certifique-se de que utiliza os parafusos fornecidos com o Suporte de parede quando instalar o Suporte de parede no televisor. Os parafusos fornecidos têm a dimensão indicada pela ilustração quando medidos a partir da superfície de fixação do Suporte de parede.

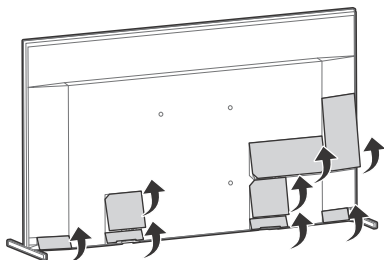
O diâmetro e o comprimento dos parafusos são diferentes dependendo do modelo de Suporte de parede. A utilização de parafusos diferentes dos fornecidos pode provocar avarias internas no televisor ou fazer com que caia, etc.



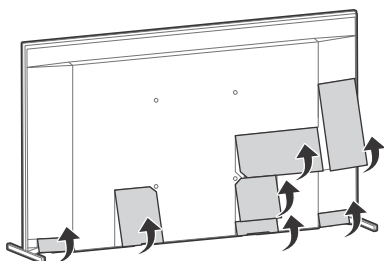
- Certifique-se de que armazena os parafusos não utilizados e o Suporte de mesa num local seguro até estar pronto para prender o Suporte de mesa. Mantenha os parafusos fora do alcance de crianças pequenas.

* Apenas em determinadas regiões/países/modelos de televisor.

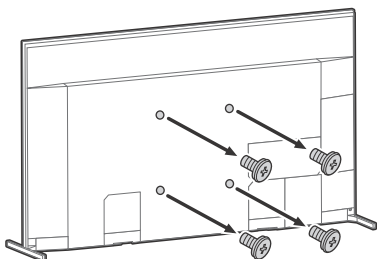
- 1** Retire as tampas dos terminais.
KD-85ZH8



KD-75ZH8



- 2** Retire os parafusos da parte de trás do televisor.



Resolução de problemas

Resolução de problemas geral de questões como: ecrã preto, sem som, imagem bloqueada, o televisor não responde ou se perdeu a rede, realize os passos seguintes.

- 1** Reinicie o seu televisor premindo o botão de alimentação no telecomando durante cerca de cinco segundos. O televisor vai reiniciar. Tente desligar o cabo de alimentação se o televisor não recuperar. Logo, prima o botão de alimentação no televisor e solte-o. Espere dois minutos e ligue o cabo de alimentação.
- 2** Consulte o menu Ajuda carregando em **HELP** no telecomando.
- 3** Ligue o televisor à Internet e realize uma atualização de software. A Sony recomenda-o a manter o software do seu televisor atualizado. As atualizações de software proporcionam novas funcionalidades e melhoram o desempenho.
- 4** Visite o website de suporte da Sony (informações fornecidas no final deste manual).

Quando liga o televisor, o televisor pode demorar algum tempo a ligar mesmo que carregue no botão de alimentação no telecomando ou no televisor.


Demora algum tempo para inicializar o sistema. Aguarde cerca de um minuto e, em seguida, volte a operar.

O telecomando não funciona.

- Substitua as pilhas.

Esqueceu a palavra-passe do bloqueio parental.

- Digite 9999 para o PIN e, em seguida, digite o novo PIN.

	HELP
---	-------------

Para mais informações sobre a resolução de problemas, consulte o Guia de ajuda.

Características técnicas

Sistema

Sistema do ecrã: Ecrã LCD (Visor de cristais líquidos), Retroiluminação LED

Sistema de televisão: Dependendo do país/ área/modelos de televisor

Analógico: B/G, D/K, I

Digital: DVB-T/DVB-C/DVB-T2*1

Satélite*1: DVB-S/DVB-S2

Sistema de Cor: PAL/SECAM/NTSC3.58 (apenas vídeo)/NTSC4.43 (apenas vídeo)

Cobertura de canais: Dependendo do país/ área/modelos de televisor

Analógico: UHF/VHF/Cabo

Digital: UHF/VHF/Cabo

Satélite*1: Frequência IF 950-2.150 MHz

Saída de som: 12,5 W + 12,5 W + 12,5 W + 12,5 W + 5 W + 5 W

Tecnologia sem fios

Protocolo IEEE 802.11a/b/g/n/ac

Bluetooth® Versão 4.2

Banda de frequência(s)

Gama de frequência	Potência de Saída
LAN sem fios (Televisor)	
2.400-2.483,5 MHz	< 20,0 dBm
5.150-5.250 MHz	< 23,0 dBm
5.250-5.350 MHz	< 20,0 dBm
5.470-5.725 MHz	< 20,0 dBm
5.725-5.850 MHz	< 13,9 dBm
Bluetooth® (Televisor)	
2.400-2.483,5 MHz	< 10,0 dBm
Bluetooth® (Telecomando)	
2.400-2.483,5 MHz	< 10,0 dBm

Tomadas de Entrada/Saída

Antena (aérea)/cabo

Terminal externo de 75 ohm para VHF/UHF

Antena de satélite*1

Conector de tipo F fêmea, 75 ohm.

DiSEqC 1.0, LNB 13 V/18 V & tom 22 kHz,

Distribuição por um Cabo EN50494.

 /  AV IN

Entrada de vídeo/áudio (mini-tomada)

HDMI IN 1/2/3/4 (HDCP 2.3-compatível)

Vídeo:

4096 × 2160p (50, 60 Hz)*2*3, 4096 × 2160p (24 Hz)*2, 3840 × 2160p (50, 60 Hz)*3, 3840 × 2160p (24, 25, 30 Hz), 1080p (30, 50, 60, 100, 120 Hz), 1080/24p, 1080i (50, 60 Hz), 720p (30, 50, 60 Hz), 720/24p, 576p, 480p,

Formatos PC*4

7680 × 4320p (24, 25, 30, 50, 60 Hz)*4*5, 3840 × 2160p (100, 120 Hz)*4*5

Áudio:

No modo eARC (Enhanced Audio Return Channel)

Consulte o Guia de ajuda para mais detalhes.

Exceto no modo eARC

PCM linear do canal 5.1: 32/44,1/48/88,2/96/176,4/192 kHz 16/20/24 bits, Dolby Audio, Dolby Atmos, DTS

eARC/ARC (Enhanced Audio Return Channel/Audio Return Channel) (Apenas HDMI IN 3)*6

No modo eARC

Consulte o Guia de ajuda para mais detalhes.

No modo ARC

PCM linear de dois canais: 48 kHz 16 bits, Dolby Audio, Dolby Atmos, DTS

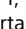
 DIGITAL AUDIO OUT (OPTICAL)

Tomada digital ótica (PCM linear de dois canais: 48 kHz 16 bits, Dolby Audio, DTS)

 (Mini-tomada estéreo)

Auscultador

 1,  2,  3 (HDD REC)*7

Porta do dispositivo USB ( 3 dispositivo USB HDD para a funcionalidade REC)

As portas USB 1 e 2 suportam High Speed USB (USB 2.0)

A porta USB 3 suporta Super Speed USB (USB 3.1 Gen 1)



Ranhora CAM (Módulo de Acesso Condicional)



LAN

Conector 10BASE-T/100BASE-TX (Dependendo do ambiente de operação da rede, a velocidade de ligação pode variar. A taxa de comunicação e qualidade de comunicação não são garantidas.)

CENTER SPEAKER IN

Entrada para o altifalante do centro (conector com fixação)

Alimentação, Ficha de Produto e outros

Requisitos de energia
220 V - 240 V CA, 50 Hz

Classe de eficiência energética
KD-85ZH8: C
KD-75ZH8: C

Dimensões do ecrã (medido diagonalmente)
(Aprox.)

KD-85ZH8: 214,8 cm / 85 polegadas
KD-75ZH8: 189,3 cm / 75 polegadas

Consumo de energia
No modo [Standard]
KD-85ZH8: 487 W
KD-75ZH8: 361 W

No modo [Vívido]
KD-85ZH8: 815 W
KD-75ZH8: 590 W

Consumo anual de energia*⁸
KD-85ZH8: 675 kWh por ano
KD-75ZH8: 501 kWh por ano

Consumo de energia no modo de espera
(standby)*^{9,10}

KD-85ZH8: 0,50 W (63 W no modo de
atualização do EPG/software)
KD-75ZH8: 0,50 W (52 W no modo de
atualização do EPG/software)

Resolução do ecrã
7.680 pontos (horizontal) × 4.320 linhas
(vertical)

Potência nominal
USB 1/2
5 V $\overline{=}$, 500 mA MÁX
USB 3
5 V $\overline{=}$, 900 mA MÁX

Dimensões (Aprox.) (larg. × alt. × prof.) (cm)

com suporte de fixação para mesas

Posição normal:
KD-85ZH8: 192,0 × 111,7 × 42,8
KD-75ZH8: 169,6 × 98,6 × 35,6

Posição estreita:
KD-85ZH8: 190,4 × 112,0 × 42,8
KD-75ZH8: 168,0 × 98,9 × 35,6

sem suporte de fixação para mesas

KD-85ZH8: 190,4 × 110,9 × 8,4
KD-75ZH8: 168,0 × 97,7 × 8,4

Largura do suporte (Aprox.) (cm)

Posição normal:
KD-85ZH8: 192,0
KD-75ZH8: 169,6

Posição estreita:
KD-85ZH8: 86,5
KD-75ZH8: 62,3

Peso (Aprox.) (kg)

com suporte de fixação para mesas

Posição normal:
KD-85ZH8: 67,8
KD-75ZH8: 49,9

Posição estreita:
KD-85ZH8: 67,3
KD-75ZH8: 49,4

sem suporte de fixação para mesas

KD-85ZH8: 65,6
KD-75ZH8: 47,9

Outros

Acessórios opcionais

Suporte de parede: SU-WL450

Temperatura de operação: 0 °C – 40 °C

Humidade operacional: 10 % – 80 % HR (não condensada)

*1 Nem todos os televisores têm tecnologia DVB-T2 ou DVB-S/S2 ou terminal de antena satélite.

*2 Quando é introduzido 4096 × 2160p e [Modo expandido] é configurado para [Normal], a resolução é mostrada em 3840 × 2160p. Para visualizar em 4096 × 2160p, configure [Modo expandido] para [Integral 1] ou [Integral 2].

*3 Para suportar 18 Gbps, configure [Formato de sinal HDMI] para Formato avançado.

*4 Consulte o Guia de ajuda online para mais detalhes.

*5 Apenas HDMI IN 4.

*6 Ligue o seu sistema de áudio a HDMI IN 3 para encaminhar o áudio do televisor para o seu sistema de áudio.

*7 Apenas em determinadas regiões/países/modelos de televisor.

*8 Consumo de energia em kWh por ano, com base no consumo de energia verificado com o televisor a funcionar 4 horas por dia durante 365 dias. O consumo de energia real irá depender da forma como o televisor é utilizado.

*9 A energia em modo de espera (standby) especificada é atingida depois de o televisor concluir os processos internos necessários.

*10 O consumo de energia em modo de espera (standby) irá aumentar quando o televisor estiver ligado à rede.

Nota

- A disponibilidade dos acessórios opcionais depende dos países/região/modelo de televisor/stock.
- O design e as características técnicas estão sujeitas a alteração sem aviso prévio.
- Podem ser necessárias subscrições para serviços e aplicações, e podem ser aplicados termos adicionais, condições e/ou taxas ao utilizar o Assistente Google.

Aviso para a função de televisão digital

- A Televisão Digital (DVB terrestre, satélite e cabo), serviços interativos e funções de rede, podem não estar disponíveis em todos os países e áreas. Algumas funções podem não ser permitidas ou podem não funcionar corretamente com alguns fornecedores e ambientes de rede. Alguns fornecedores de serviço de Televisão podem cobrar uma taxa pelos seus serviços.
- Este televisor suporta transmissão digital utilizando codecs MPEG-2, H.264/MPEG-4 AVC e H.265/HEVC, mas a compatibilidade com todos os sinais do operador/serviço, que pode mudar com o tempo, não pode ser garantida.

Informação da marca registada

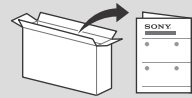
- Os termos HDMI e High-Definition Multimedia Interface e o logotipo HDMI são marcas ou marcas registradas da HDMI Licensing Administrator, Inc. nos Estados Unidos e em outros países.
- Dolby, Dolby Vision, Dolby Atmos, Dolby Audio e o símbolo duplo D são marcas da Dolby Laboratories. Fabricado sob licença da Dolby Laboratories. Trabalhos confidenciais não publicados. Copyright © 2012-2018 Dolby Laboratories. Todos os direitos reservados.
- Gracenote, o logótipo Gracenote, o logo "Powered by Gracenote" são marcas comerciais registadas ou marcas comerciais da Gracenote, Inc. nos Estados Unidos e/ou noutros países.
- Google, Google Play, Chromecast, YouTube, Android TV e outras marcas relacionadas e logos são marcas comerciais da Google LLC.
- Para obter informações sobre patentes DTS, consulte <http://patents.dts.com>. Fabricado sob licença da DTS, Inc. DTS, o símbolo, DTS e o símbolo em conjunto, e Digital Surround são marcas registadas ou marcas comerciais da DTS, Inc. nos Estados Unidos e/ou noutros país. © DTS, Inc. Todos os direitos reservados.
- Netflix é uma marca registada da Netflix, Inc.
- DiSEqC™ é uma marca comercial da EUTELSAT. Este televisor suporta DiSEqC 1.0. Este televisor não se destina ao controlo de antenas motorizadas.
- TUXERA é uma marca comercial registada da Tuxera Inc. nos EUA e outros países.
- Todas as outras marcas registadas são propriedade dos seus respetivos proprietários.

Informazioni sui manuali

Questo televisore è fornito con i seguenti manuali. Conservare i manuali per riferimenti futuri.

Guida di installazione

- Installazione e configurazione del televisore.



Guida di riferimento (questo manuale) / Documentazione di sicurezza

- Avvertenze sulla sicurezza, telecomando, risoluzione dei problemi, installazione su parete, caratteristiche tecniche, ecc.



Guida (Manuale su schermo)

- Impostazioni, funzioni TV Android, connessione Internet, risoluzione dei problemi, ecc.
- Per aprirla, premere il pulsante **HELP** sul telecomando e selezionare Guida.



- È possibile consultare la Guida con lo smartphone.



https://rd1.sony.net/help/tv/haep1/h_aep/

IMPORTANTE – Leggere il Contratto di licenza software con l'utente finale prima di utilizzare il proprio prodotto Sony. L'utilizzo del prodotto indica la propria accettazione del Contratto di licenza software con l'utente finale. Il contratto di licenza software tra l'utente e Sony è disponibile online sul sito web Sony (<http://www.sony.net/tv-software-licenses/>) o sulla schermata del prodotto. Andare a [Impostazioni] → [Preferenze del dispositivo] → [Informazioni] → [Informazioni legali] → [Note e licenze].

Per la presente apparecchiatura radio, si applicano le seguenti restrizioni relative alla messa in servizio o relative ai requisiti per l'autorizzazione all'uso in AT, BE, HR, CY, CZ, DK, EE, FI, FR, DE, EL, HU, IE, IT, LV, LT, LU, MT, NL, PL, PT, SK, SI, ES, SE, UK, IS, LI, NO, CH, BG, RO, TR, AL, BA, MK, MD, RS, ME, Kosovo : la restrizione della banda 5.150 - 5.350 MHz si limita esclusivamente al funzionamento in interni.

Avvertenze sulla sicurezza

Nota

- Prima di mettere in funzione il televisore, leggere le "Avvertenze sulla sicurezza".
- Leggere la documentazione di sicurezza in dotazione per ulteriori informazioni sulla sicurezza.
- Le immagini e le illustrazioni utilizzate nella Guida di installazione e nel presente manuale servono esclusivamente come riferimento e possono differire dal prodotto effettivo.
- La "xx" che compare nel nome del modello corrisponde a un codice numerico legato al design, al colore o al sistema TV.

Ubicazione della targhetta di identificazione

Le etichette indicanti il modello, la data di produzione (anno/mese) e la tensione di alimentazione sono ubicate sul retro del televisore o sull'imballo. Per vedere queste informazioni, rimuovere il coperchio dei terminali.

Installazione/Impostazione

Installare e utilizzare il televisore attenendosi alle istruzioni di seguito al fine di evitare il rischio di incendi, scosse elettriche o danni e/o lesioni.

Installazione

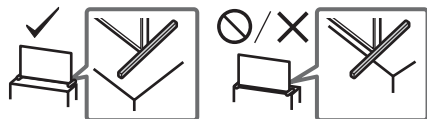
- Il televisore deve essere installato in prossimità di una presa di corrente facilmente accessibile.
- Posizionare il televisore su una superficie stabile e piana per evitare che possa cadere e causare lesioni personali o danni materiali.
- Installare il televisore in una posizione che non permetta di tirarlo, spingerlo o rovesciarlo.
- Installare il televisore in modo che il relativo supporto da tavolo non sporga dal supporto del televisore (non in dotazione). Se il supporto da tavolo sporge dal supporto del televisore, il televisore potrebbe rovesciarsi o cadere e causare danni alle persone o al televisore stesso.

NOTA IMPORTANTE

Nota per le apparecchiature radio

Il fabbricante, Sony Corporation, dichiara che i tipi di apparecchiatura radio KD-85ZH8, KD-75ZH8 sono conformi alla direttiva 2014/53/UE. Il testo completo della dichiarazione di conformità UE è disponibile al seguente indirizzo Internet: <http://www.compliance.sony.eu/>

Avviso per i clienti : le seguenti informazioni si riferiscono esclusivamente ad apparecchi venduti in paesi che applicano le direttive UE.

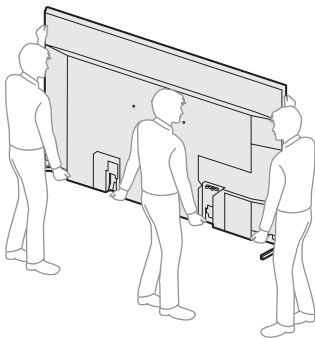


Trasporto

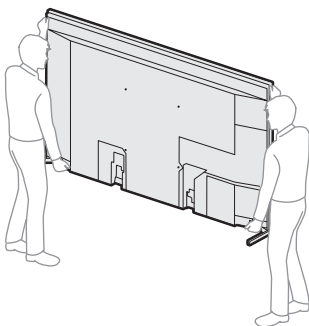
- Prima di trasportare il televisore, scollegare tutti i cavi.
- Per trasportare un televisore di grandi dimensioni sono necessarie due o più persone (tre o più persone per KD-85ZH8).

- Quando si trasporta il televisore manualmente, sostenerlo come mostrato sotto. Non praticare pressione sul pannello LCD e sulla cornice intorno allo schermo.

KD-85ZH8

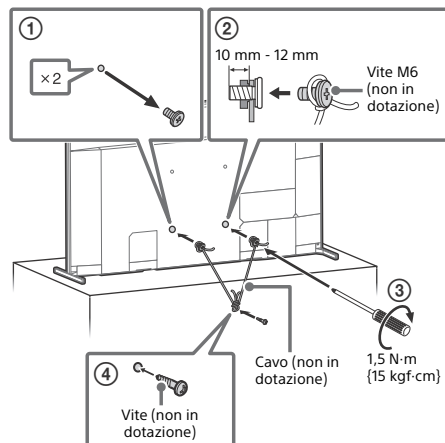


KD-75ZH8

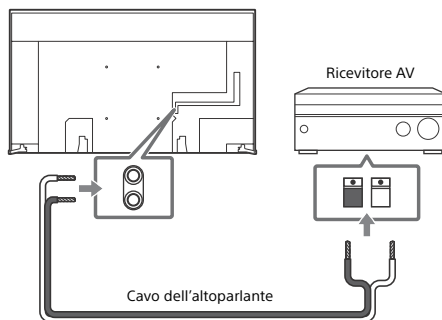


- Durante il trasporto, non sottoporre il televisore a urti o vibrazioni eccessive.
- Nel caso in cui si renda necessario trasportare il televisore per farlo riparare o per un trasloco, richiuderlo sempre nell'imballaggio originale.

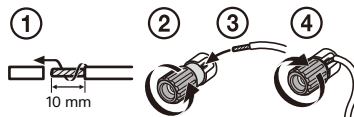
Prevenzione delle cadute



Uso del televisore come altoparlante centrale



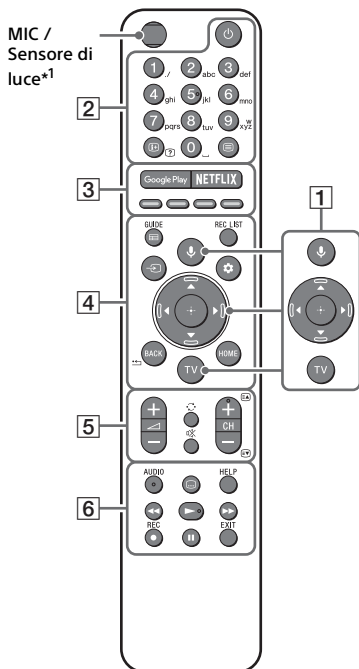
- Prima di collegare i cavi, disinserire il cavo di alimentazione di televisore e ricevitore AV dalla presa di rete.
- Accertarsi che [Altoparlante] sia impostato su [Sistema audio].



Per evitare il sibilo quando non si collega il CENTER SPEAKER IN a un ricevitore AV, disattivare [Modalità Altoparlante centrale TV]. Per i dettagli, fare riferimento alla Guida.

Telecomando e televisore

La forma del telecomando, la posizione, la disponibilità e le funzioni dei tasti del telecomando possono variare a seconda della regione/del paese/del modello del televisore.



- 1** **🔊 (Microfono):** Utilizzare l'Assistente Google*2*3 o la ricerca vocale*3. Per suggerimenti su come controllare il televisore premere il pulsante **🔊 (Microfono)** e pronunciare la frase "menù aiuto".*2
▲/▼/◀/▶/⊕: Navigazione e selezione nel menu su schermo.
TV: Visualizzare la lista canali del televisore o commutare per inserire.

2 **🔌 (Standby TV)**

Tasti numerici

🔍/? (Info/Mostra testo): Consente di visualizzare le informazioni sul programma in onda, oppure la soluzione dei quesiti nel Televideo.

📺 (Televideo): Consente di visualizzare le informazioni del Televideo.

3 **Google Play / NETFLIX*2 / Tasti colorati**

- 4** **GUIDE/📺:** Visualizzare la guida programmi digitali del televisore o il ricevitore cavo/satellite*2*4.

REC LIST: Consente di visualizzare l'elenco Rec dell'USB HDD/DVR*4.

➔ (Selezione ingresso): Consente di visualizzare e selezionare la sorgente di ingresso, ecc.

⚙️ (Impostazioni rapide): Consente di visualizzare le Impostazioni rapide.

BACK/⏪

HOME

- 5** **↕ +/- (Volume)**

🔄 (Salto)

🔇 (Disattivazione audio)*5

CH +/-/📺/📺: Selezionare il canale o la pagina successiva (📺) / precedente (📺).

- 6** **AUDIO:** Consente di selezionare l'audio di una sorgente multilingue o dual (a seconda della sorgente del programma).

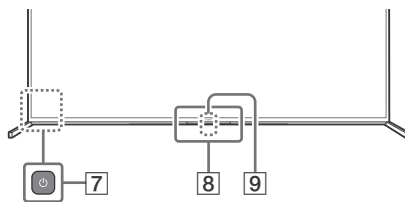
🗨️ (Impostazione Sottotitoli)

HELP: Consente di visualizzare il menu Guida.

⏮️/⏪/⏩/⏭

● REC: Consente di registrare il programma attualmente visualizzato sull'USB HDD/DVR*4.

EXIT

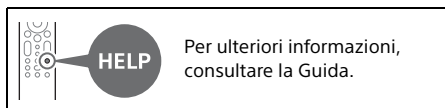


- 7** **🔌 (Accensione)**

- 8** **Sensore del telecomando / Sensore di luce / LED*6**

- 9** **Microfono integrato*2*3*7:** Per abilitare il microfono integrato, premere pulsante **🔊 (Microfono)** sul telecomando e seguire le istruzioni sullo schermo.

- *1 La retroilluminazione del telecomando si accende quando il sensore di luce rileva che la luce ambientale è scarsa. L'accensione automatica della retroilluminazione può essere disattivata.
- *2 Solo per alcune regioni/Paesi/modelli TV/lingue.
- *3 L'Assistente Google o la ricerca vocale richiedono una connessione a Internet.
- *4 È necessaria l'impostazione [Configurazione del ricevitore cavo/satellite].
- *5 Il collegamento rapido all'accesso è disponibile premendo e tenendo premuto ⓧ (Disattivazione audio).
- *6 Il LED del microfono integrato è ugualmente incluso.
- *7 Il consumo energetico in standby aumenta perché il microfono integrato è sempre in ascolto quando è abilitato.



Installazione del televisore a parete

Uso della staffa di montaggio a parete opzionale (SU-WL450)* (non in dotazione)

Per i clienti:

Per evitare di danneggiare il prodotto e per ragioni di sicurezza, Sony raccomanda vivamente di affidare l'installazione del televisore a rivenditori o a installatori autorizzati Sony. Non cercare di eseguire l'installazione personalmente.

Per i rivenditori e installatori Sony:

Prestare massima attenzione alla sicurezza durante gli interventi di installazione, manutenzione periodica e controllo del prodotto.

Informazioni di installazione per la staffa di montaggio a parete

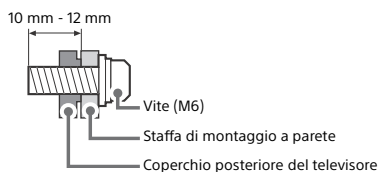
Il presente manuale d'uso fornisce solo le fasi di preparazione del televisore in vista dell'installazione a parete. Per istruzioni sull'installazione della staffa di montaggio a parete, consultare le informazioni di installazione (staffa di montaggio a parete) sulla pagina del prodotto per il modello del televisore.

<https://www.sony.eu/support>

Preparazione per l'installazione a parete

Verifica di fissare il piedistallo prima di installare la TV a parete, facendo riferimento alla Guida di installazione.

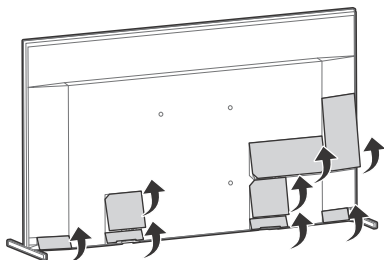
- Prima di collegare i cavi, occorre preparare il TV per l'installazione della staffa di montaggio a parete.
- Attenersi alla guida di istruzioni fornite con la staffa di montaggio a parete per il modello in uso. Per l'installazione di questo televisore è necessario disporre di sufficiente competenza, in particolare per determinare la solidità della parete e per decidere se è in grado di sostenere il peso del televisore.
- Affidare perciò il fissaggio a parete di questo prodotto a personale qualificato che dovrà garantire la massima sicurezza dell'installazione. Sony non potrà essere ritenuta responsabile per danni o lesioni causate da usi non appropriati del prodotto o da installazione non corretta.
- Le viti per la staffa di montaggio a parete non sono in dotazione.
- Per l'installazione a parete rivolgersi esclusivamente a personale qualificato.
- Per motivi di sicurezza, si consiglia caldamente di utilizzare esclusivamente accessori Sony, come ad esempio:
 - Staffa di montaggio a parete SU-WL450
- Fissare la staffa di montaggio a parete al televisore utilizzando esclusivamente le viti fornite in dotazione. Le viti in dotazione sono come appaiono nell'illustrazione, misurate dalla superficie di fissaggio della staffa di montaggio a parete. Il diametro e la lunghezza delle viti differiscono in base al modello di staffa per il montaggio a parete. L'uso di viti diverse da quelle in dotazione può determinare danni interni al televisore o provocarne la caduta, ecc.



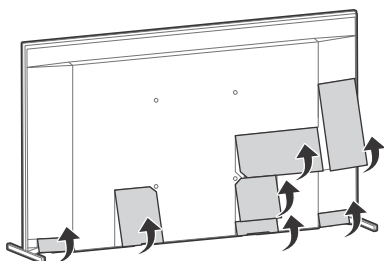
- Conservare il piedistallo e le viti non utilizzate del TV in un luogo sicuro per un eventuale uso futuro. Tenere le viti fuori dalla portata dei bambini.

* Solo per alcune Regioni/Paesi/Modelli TV.

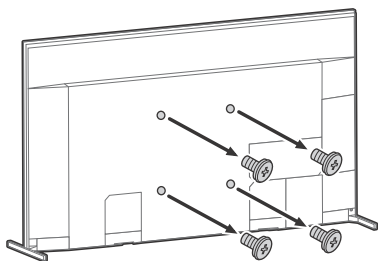
1 Rimuovere i coperchi dei terminali. KD-85ZH8



KD-75ZH8



2 Rimuovere le viti dal retro del televisore.



Risoluzione dei problemi

Per risolvere problemi come: assenza di immagine, assenza di suono, immagine bloccata, nessuna reazione ai comandi, o problemi di connessione alla rete, provare ad eseguire le seguenti operazioni.

- 1 Riavviare il televisore premendo il pulsante di accensione sul telecomando per circa cinque secondi. Il televisore si riavvia. Se il televisore non si ripristina, provare a scollegare il cavo di alimentazione. Quindi premere il pulsante d'accensione sul televisore e rilasciarlo. Attendere due minuti, quindi inserire la spina del cavo di alimentazione nella rete elettrica.
- 2 Consultare il menu Guida premendo il tasto **HELP** sul telecomando.
- 3 Connettere il televisore a Internet ed eseguire l'aggiornamento del software. Sony consiglia di mantenere aggiornato il software del televisore. Gli aggiornamenti software forniscono nuove funzioni e miglioramenti delle prestazioni.
- 4 Visitare il sito web di assistenza Sony (informazioni fornite in calce a questo manuale).

Alla prima accensione, o dopo un periodo d'inattività, è possibile che il televisore non si accenda immediatamente anche se si preme il tasto di accensione sul telecomando oppure sul televisore.

L'inizializzazione del sistema necessita di un po' di tempo. Attendere circa un minuto, quindi riprovare.

Il telecomando non funziona.

- Sostituire le batterie.

La password di blocco parentale è stata dimenticata.

- Inserire 9999 come PIN e inserire il nuovo PIN.

	Per ulteriori informazioni sulla risoluzione dei problemi, fare riferimento alla Guida.
--	---

Caratteristiche tecniche

Sistema

Tipo di pannello: Pannello LCD (cristalli liquidi),
Retroilluminazione a LED

Sistema TV: In base al paese/regione seleziona/
al modello del televisore

Analogico: B/G, D/K, I

Digitale: DVB-T/DVB-C/DVB-T2*1

Satellite*1: DVB-S/DVB-S2

Sistema colore: PAL/SECAM/NTSC3.58 (Solo
video)/NTSC4.43 (Solo video)

Gamma di sintonia: In base al paese/regione
seleziona/al modello del televisore

Analogico: UHF/VHF/TV via cavo

Digitale: UHF/VHF/TV via cavo

Satellite*1: Frequenza IF 950-2.150 MHz

Uscita audio: 12,5 W + 12,5 W + 12,5 W + 12,5 W +
5 W + 5 W

Tecnologia wireless

Protocollo IEEE 802.11a/b/g/n/ac

Bluetooth® Versione 4.2

Bande di frequenza

Gamma di frequenza	Potenza in uscita
LAN wireless (TV)	
2.400-2.483,5 MHz	< 20,0 dBm
5.150-5.250 MHz	< 23,0 dBm
5.250-5.350 MHz	< 20,0 dBm
5.470-5.725 MHz	< 20,0 dBm
5.725-5.850 MHz	< 13,9 dBm
Bluetooth® (TV)	
2.400-2.483,5 MHz	< 10,0 dBm
Bluetooth® (Telecomando)	
2.400-2.483,5 MHz	< 10,0 dBm

Prese di ingresso/uscita

Antenna/Tv via cavo

Terminale esterno 75 ohm per VHF/UHF

Antenna satellitare*1

Connettore di Tipo F Femmina, 75 ohm.

DiSEqC 1.0, LNB 13 V/18 V e tono a 22 kHz,

Distribuzione via cavo singolo EN50494.

 /  AV IN

Ingresso audio/video (mini jack)

HDMI IN 1/2/3/4 (Compatibile HDCP 2.3)

Video:

4096 × 2160p (50, 60 Hz)*2*3, 4096 × 2160p
(24 Hz)*2, 3840 × 2160p (50, 60 Hz)*3, 3840 ×
2160p (24, 25, 30 Hz), 1080p (30, 50, 60, 100,
120 Hz), 1080/24p, 1080i (50, 60 Hz), 720p
(30, 50, 60 Hz), 720/24p, 576p, 480p, Formati
PC*4

7680 × 4320p (24, 25, 30, 50, 60 Hz)*4*5,
3840 × 2160p (100, 120 Hz)*4*5

Audio:

In modalità eARC (Enhanced Audio Return
Channel)

Per i dettagli, consultare la Guida.

Eccezione modalità eARC

PCM lineare 5,1 canali: 32/44,1/48/88,2/96/
176,4/192 kHz 16/20/24 bit, Dolby Audio,
Dolby Atmos, DTS

eARC/ARC (Enhanced Audio Return Channel/
Audio Return Channel) (Solo HDMI IN 3)*6

In modalità eARC


Per i dettagli, consultare la Guida.

In modalità ARC

PCM lineare due canali: 48 kHz 16 bit, Dolby
Audio, Dolby Atmos, DTS


 DIGITAL AUDIO OUT (OPTICAL)

Presa ottica digitale (PCM lineare due canali:
48 kHz 16 bit, Dolby Audio, DTS)

 (Mini jack stereo)

Cuffie

 1,  2,  3 (HDD REC)*7

Porta del dispositivo USB (dispositivo USB HDD
•  3 per funzione REC)

Le porte USB 1 e 2 supportano USB High Speed
(USB 2.0)

La porta USB 3 supporta USB Super Speed
(USB 3.1 Gen 1)



Alloggiamento CAM (modulo ad accesso
condizionato)



Connettore 10BASE-T/100BASE-TX (La velocità
di connessione può variare a seconda delle
caratteristiche operative della rete. La velocità
di comunicazione e la qualità non sono
garantite.)

CENTER SPEAKER IN

Ingresso diffusore centrale (connettore
binding post)

Potenza, caratteristiche prodotto e altro

Requisiti d'alimentazione
220 V - 240 V CA, 50 Hz

Classe di efficienza energetica
KD-85ZH8: C
KD-75ZH8: C

Dimensioni schermo (diagonale) (circa)
KD-85ZH8: 214,8 cm / 85 pollici
KD-75ZH8: 189,3 cm / 75 pollici

Potenza assorbita
In modalità [Standard]
KD-85ZH8: 487 W
KD-75ZH8: 361 W

In modalità [Brillante]
KD-85ZH8: 815 W
KD-75ZH8: 590 W

Consumo energetico annuo*8
KD-85ZH8: 675 kWh all'anno
KD-75ZH8: 501 kWh all'anno

Potenza assorbita in modalità standby*9*10
KD-85ZH8: 0,50 W (63 W durante la modalità di aggiornamento software o della Guida TV elettronica)
KD-75ZH8: 0,50 W (52 W durante la modalità di aggiornamento software o della Guida TV elettronica)

Risoluzione schermo
7.680 punti (orizzontale) × 4.320 linee (verticale)

Valori nominali uscita
USB 1/2
5 V $\overline{=}$, 500 mA MAX
USB 3
5 V $\overline{=}$, 900 mA MAX

Dimensioni (circa) (l × a × p) (cm)

con supporto da tavolo
Posizione standard:
KD-85ZH8: 192,0 × 111,7 × 42,8
KD-75ZH8: 169,6 × 98,6 × 35,6
Posizione stretta:
KD-85ZH8: 190,4 × 112,0 × 42,8
KD-75ZH8: 168,0 × 98,9 × 35,6

senza supporto da tavolo
KD-85ZH8: 190,4 × 110,9 × 8,4
KD-75ZH8: 168,0 × 97,7 × 8,4

Larghezza supporto (circa) (cm)

Posizione standard:
KD-85ZH8: 192,0
KD-75ZH8: 169,6

Posizione stretta:
KD-85ZH8: 86,5
KD-75ZH8: 62,3

Peso (circa) (kg)

con supporto da tavolo
Posizione standard:
KD-85ZH8: 67,8
KD-75ZH8: 49,9
Posizione stretta:
KD-85ZH8: 67,3
KD-75ZH8: 49,4

senza supporto da tavolo
KD-85ZH8: 65,6
KD-75ZH8: 47,9

Altri

Accessori opzionali
Staffa di montaggio a parete: SU-WL450

Temperatura di utilizzo: Da 0 °C a 40 °C

Umidità d'esercizio: Dal 10 % all'80 % di u. r. (in assenza di condensa)

*1 Non tutti i televisori dispongono di tecnologia DVB-T2 o DVB-S/S2 o di terminale antenna satellitare.

*2 Se la risoluzione di ingresso è 4096 × 2160p e [Formato Immagine] è impostato su [Normale], la risoluzione viene impostata come 3840 × 2160p. Per visualizzare 4096 × 2160p, impostare [Formato Immagine] su [Intero 1] o [Intero 2].

*3 Per supportare 18 Gbps, impostare [Formato segnale HDMI] su Formato avanzato.

*4 Per i dettagli, fare riferimento alla Guida online.

*5 Solo HDMI IN 4.

*6 Collegare il sistema audio a HDMI IN 3 per dirigere l'audio del televisore verso il sistema audio.

*7 Solo per alcune Regioni/Paesi/Modelli TV.

*8 Consumo energetico annuale in kWh, basato sulla potenza assorbita di un televisore che funzioni 4 ore al giorno per 365 giorni. Il consumo energetico effettivo dipenderà dal modo in cui verrà utilizzato il televisore.

*9 Il valore dell'assorbimento di potenza specificato in modalità standby viene raggiunto dopo alcuni minuti dallo spegnimento, cioè dopo che il televisore avrà terminato tutti i processi interni.

*10 Quando la TV è connessa alla rete Internet, la potenza assorbita in modalità standby aumenta.

Nota

- La disponibilità degli accessori opzionali dipende dai paesi/dalle regioni/dai modelli di televisore/dalle scorte.
- Design e caratteristiche tecniche sono soggetti a modifiche senza preavviso.
- Potrebbero essere richiesti abbonamenti ai servizi e alle applicazioni e potrebbero essere applicati termini, condizioni e/o costi aggiuntivi quando si usa l'Assistente Google.

Note sul funzionamento della TV Digitale

- La TV digitale (digitale terrestre, satellite e TV via cavo), i servizi interattivi e le funzioni di rete internet potrebbero non essere disponibili in tutti i Paesi o le regioni. Alcune funzioni potrebbero non essere abilitate o potrebbero non funzionare correttamente con alcuni fornitori di servizi o reti internet. Alcuni provider di servizi TV potrebbero applicare tariffe per i loro servizi.
- Questo televisore supporta trasmissione digitale con i codec MPEG-2, H.264/MPEG-4 AVC e H.265/HEVC, ma non si garantisce la compatibilità con tutti i segnali dell'operatore/ del servizio, che potrebbero cambiare nel tempo.

Informazioni sui marchi

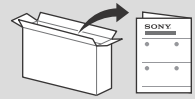
- I termini HDMI e HDMI High-Definition Multimedia Interface e il logo HDMI sono marchi o marchi registrati di HDMI Licensing Administrator, Inc. negli Stati Uniti e in altri paesi.
- Dolby, Dolby Vision, Dolby Atmos, Dolby Audio e il simbolo della doppia D sono marchi di Dolby Laboratories. Prodotto su licenza di Dolby Laboratories. Opere riservate non pubblicate. Copyright © 2012-2018 Dolby Laboratories. Tutti i diritti riservati.
- Gracenote, il logo e il logotipo Gracenote, nonché il logo "Powered by Gracenote" sono marchi di fabbrica o marchi di fabbrica registrati di Gracenote, Inc. negli Stati Uniti e/o in altri paesi.
- Google, Google Play, Chromecast, YouTube, Android TV e altri loghi e marche correlati sono marchi di Google LLC.
- Per i brevetti DTS, consultare il sito <http://patents.dts.com>. Prodotto su licenza di DTS, Inc. DTS, il Simbolo, DTS e il Simbolo insieme, nonché Digital Surround sono marchi di fabbrica registrati o marchi di fabbrica di DTS, Inc. negli Stati Uniti e/o in altri Paesi. © DTS, Inc. Tutti i diritti riservati.
- Netflix è un marchio registrato di Netflix, Inc.
- DiSEqC™ è un marchio di fabbrica di EUTELSAT. Questo televisore supporta DiSEqC 1.0 ma non è progettato per il controllo di antenne motorizzate.
- TUXERA è un marchio di fabbrica registrato di Tuxera Inc. negli Stati Uniti e in altri Paesi.
- Tutti gli altri marchi di fabbrica sono di proprietà delle rispettive aziende.

Om manualer

Följande manualer medföljer denna TV. Spara manualerna för framtida referensbehov.

Startguide

- Installation och inställning av TV:n.



Referensmaterial (denna manual) / Säkerhetsdokumentation

- Säkerhetsinformation, fjärrkontroll, felsökning, väggmontering, specifikationer m.m.



Hjälpguide (skärmmanual)

- Inställningar, Android-TV-funktioner, internetanslutning, felsökning m.m.
- Öppna hjälpguiden genom att trycka på **HELP** på fjärrkontrollen och välja Hjälpguide.



- Du kan ta fram Hjälpguiden med din smartmobil.



https://rd1.sony.net/help/tv/haep1/h_aep/

VIKTIGT – Läs licensavtalet för slutanvändare av programvara, innan Sony-produkten används. Genom att använda produkten godkänner du licensavtalet för slutanvändare av programvara. Licensavtalet för programvaran mellan dig och Sony finns tillgängligt på Sonys webbplats (<http://www.sony.net/tv-software-licenses/>) eller på produktens skärm. Gå till [Inställningar] → [Enhetsinställningar] → [Om] → [Juridisk information] → [Meddelanden och licenser].

Obs!

- Innan du använder TV:n ska du läsa "Säkerhetsinformation".
- Läs medföljande säkerhetsdokumentation för ytterligare information om säkerhet.
- De bilder och illustrationer som används i Startguiden och i denna handbok är bara referenser och kan skilja sig från utseendet på den faktiska produkten.
- "xx" som visas i modellnamnet motsvarar en numerisk siffra som har med design, färg eller TV-system att göra.

Identifieringsetikettens placering

Etiketter för modellnr, tillverkningsdatum (år/månad) och strömförsörjning finns på TV:ns eller förpackningens baksida. Du hittar detta under kontaktskyddet.

VIKTIGT MEDDELANDE

Meddelande för radioustrustning

Härmed försäkras Sony Corporation att denna typ av radioustrustning KD-85ZH8, KD-75ZH8 överensstämmer med direktiv 2014/53/EU. Den fullständiga texten till EU-försäkran om överensstämmelse finns på följande webbadress: <http://www.compliance.sony.eu/>

Meddelande till kunder: följande information gäller endast för utrustning som sålts i länder där EU-direktiv gäller.

För denna radioustrustning tillämpas följande begränsningar för uppstart eller behörighetskrav för användning i AT, BE, HR, CY, CZ, DK, EE, FI, FR, DE, EL, HU, IE, IT, LV, LT, LU, MT, NL, PL, PT, SK, SI, ES, SE, UK, IS, LI, NO, CH, BG, RO, TR, AL, BA, MK, MD, RS, ME, Kosovo : 5 150 - 5 350 MHz-bandet är begränsat till inomhusanvändning endast.

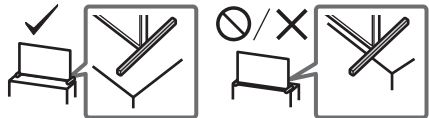
Säkerhetsinformation

Installation

Installera och använd TV:n enligt följande anvisningar för att undvika brandrisk, elektriska stötar eller skador på person eller egendom.

Installation

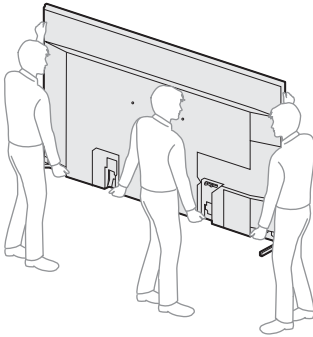
- TV:n bör placeras nära ett lätt åtkomligt eluttag.
- Placera TV-apparaten på en stabil, plan yta för att undvika att den faller ner och orsakar personskada eller egendomsskada.
- Placera TV:n på en plats där den inte kan dras, tryckas eller vältas omkull.
- Montera TV:n så att TV:ns bordsstativ inte skjuter ut från TV-bänken (medföljer ej). Om bordsstativet skjuter ut från TV-bänken, kan det hända att TV:n välter, faller i golvet och orsakar personskada eller skada på TV:n.



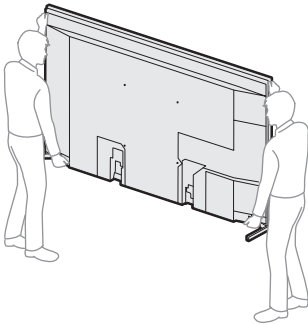
Transport

- Lossa alla kablar från TV:n innan du transporterar den.
- Det krävs två eller fler personer (tre eller fler personer för KD-85ZH8) för att bära en stor TV-apparat.
- När TV:n ska transporteras bör den hållas enligt nedan. Tryck inte på LCD-panelen eller ramen runt bildskärmen.

KD-85ZH8

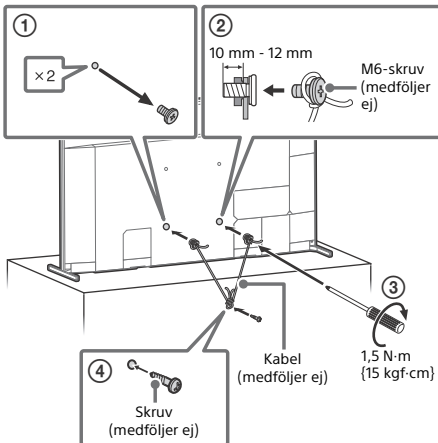


KD-75ZH8

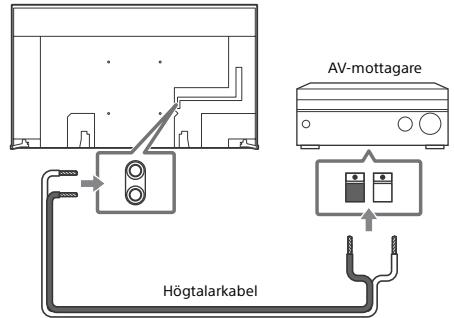


- Se till att TV:n inte utsätts för stötar eller kraftiga vibrationer när den transporteras.
- Du bör använda originalkartongen och dess emballage när du sänder in TV:n för reparation eller om du flyttar.

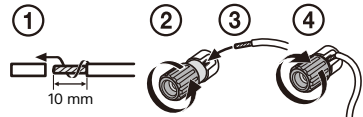
Förebyggande av fall



Använda en TV som centerhögtalare



- Koppla från nätkabeln för både TV:n och AV-mottagaren innan du ansluter kablar.
- Se till att [Högtalare] är inställt på [Ljudanläggning].

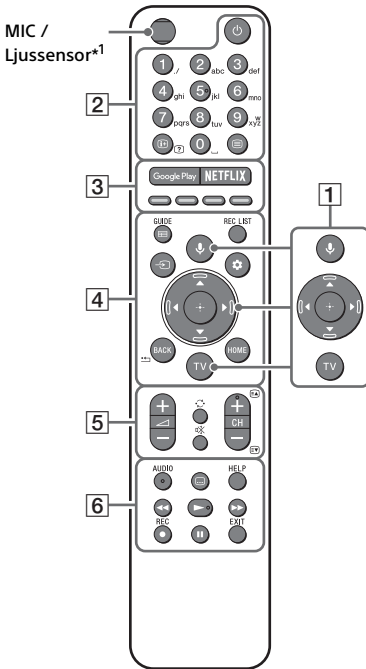


Avaktivera [Centerhögtalare-läge för TV] för att undvika brus, när CENTER SPEAKER IN inte ansluts till en AV-receiver. Vi hänvisar till Hjälpguiden angående detaljer.

SE

Fjärrkontroll och TV

Fjärrkontrollens form, plats, tillgänglighet och fjärrkontrollknapparnas funktioner kan variera beroende på region/land/TV-modell.



- 1 (Mikrofon): Använd Google Assistant*2*3 eller röstsökning*3. Få tips om hur TV:n manövreras genom att trycka på (Mikrofon) och tala in frasen "rösttips".*2
: Menynavigering och -val på skärmen.
TV: Visa TV-kanallistan eller växla till ingång.

- 2 (TV-standby)

Sifferknappar

(VISA info/text): Visa information.

(Text): Visa textinformation.

- 3 **Google Play / NETFLIX*2 / Färgknappar**

- 4 **GUIDE**/: Visa den digitala programguiden för TV eller kabel/satellit/extern box*2*4.

REC LIST: Visa Rec-listan för USB HDD/DVR*4.

(Ingångsväljare): Visa och välj ingångskällan, osv.

(Snabbinställningar): Visa snabbinställningar.

BACK/

HOME

- 5 +/- (Volym)

(Hoppa)

(Ljudlöst)*5

CH +/-//: Välj kanal eller nästa () / föregående () sida.

- 6 **AUDIO:** Välj ljud för flerspråkig källa eller dubbelt ljud (beroende på programkälla).

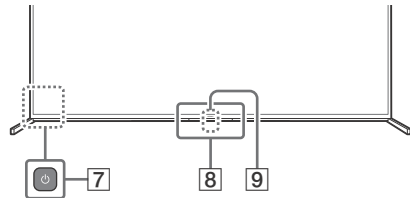
(Inställning av textning)

HELP: Visa Hjälpmenyn.

///

● **REC:** Spela in det visade programmet på USB HDD/DVR*4.

EXIT



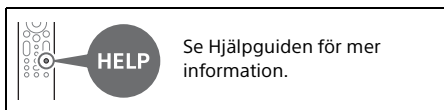
- 7 (Strömbrytare)

- 8 **Fjärrkontroll-sensor / Ljussensor / LED***6

- 9 **Inbyggd mikrofon***2*3*7: För att aktivera den inbyggda mikrofonen, tryck på knappen (Mikrofon) på fjärrkontrollen och följ instruktionerna på skärmen.

*1 Fjärrkontrollens bakgrundsbelysning tänds när ljussensorn känner av att belysningen i omgivningen är svag. Funktionen för automatisk tändning av bakgrundsbelysningen kan stängas av.
*2 Endast för begränsad region/land/TV-modell/språk.
*3 En internetanslutning krävs för Google Assistant eller röstsökning.
*4 [Kabel / satellit / extern box-inställning]-inställning krävs.

- *5 Genom att hålla ☒ (Ljudlöst) intryckt nås en åtkomlighetsgenväg.
- *6 Inbyggd LED-belysning till mikrofon är också inkluderad.
- *7 Strömförbrukningen i standbyläge ökar eftersom den inbyggda mikrofonen alltid lyssnar när den är aktiverad.



Montera TV:n på väggen

Använda Väggfästet (tillval) (SU-WL450)* (medföljer ej)

Till kunden:

Sony rekommenderar starkt att du låter din Sony-återförsäljare eller en auktoriserad installatör installera TV:n, både av säkerhetsskäl och för att skydda produkten. Försök inte installera den själv.

Till Sony-återförsäljare och installatörer:

Var ytterst noggrann med säkerheten vid installation, regelbundet underhåll och besiktning av denna produkt.

Installationsinformation för Väggfäste

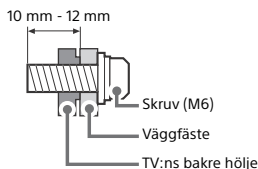
I bruksanvisningen för denna TV ges endast stegen för att förbereda TV:n för vägginstallation innan den installeras på väggen. För instruktioner om installation av Väggfäste, se installationsinformationen (Väggfäste) på produktsidan för din TV-modell. <https://www.sony.eu/support>

Förbereda montering på väggen

Var noga med att fästa bordsstativ innan TV installeras på väggen enligt instruktionerna i Startguide.

- Förbered TV:n för Väggfästet innan kablarna ansluts.
- Följ instruktionsguiden som levereras med Väggfästet för din modell. Experthjälp krävs för installation av denna TV, speciellt för att avgöra väggens styrka att hålla TV:ns vikt.

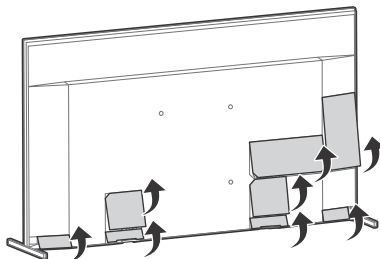
- Var därför noga med att överlåta väggmontering av denna produkt till din Sony-återförsäljare eller en auktoriserad installatör, och var noggrann med säkerheten under installationen. Sony kan inte hållas ansvariga för någon form av egendomsskador eller personsador som beror på felaktig hantering eller felaktig installation.
- Skruvarna till Väggfäste medföljer inte.
- Endast en behörig servicetekniker bör utföra vägginstallationer.
- Av säkerhetsskäl rekommenderar vi bestämt att du endast använder tillbehör från Sony, inklusive:
 - Väggfäste SU-WL450
- Använd de skruvar som levererades med Väggfästet när Väggfästet monteras på TV:n. De medföljande skruvarna är utformade enligt bilden mått från Väggfästets kontaktyta. Skruvarnas diameter och längd varierar beroende på Väggfästets modell. Användning av andra skruvar kan skada TV:n internt eller medföra att den faller ned.

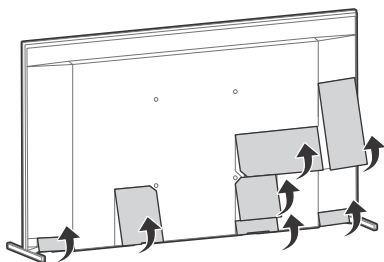


- Se till att oanvända skruvar och bordsstativet förvaras på en säker plats tills du åter vill montera bordsstativet. Förvara skruvarna oåtkomligt för små barn.

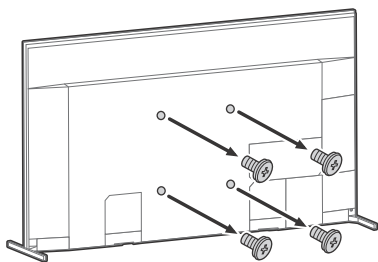
* Endast för begränsad region/land/TV-modell.

1 Ta bort terminalskydden. KD-85ZH8





2 Ta bort skruvarna från TV:ns baksida.



Felsökning

För allmän felsökning för problem som: svart skärm, inget ljud, frusen bild, TV:n reagerar inte, eller nätverket är tappat, utför du följande steg.

- 1 Starta om TV:n genom att trycka in strömbrytaren på fjärrkontrollen i cirka fem sekunder. TV:n startar om. Om TV:n inte återställs, försök med att koppla ur strömsladden. Tryck därefter på strömbrytaren på TV:n och släpp den. Vänta i två minuter och anslut sedan strömsladden.
- 2 Se Hjälpmenyn genom att trycka på **HELP** på fjärrkontrollen.
- 3 Anslut din TV till Internet och utför en programvaruuppdatering. Sony rekommenderar att du alltid håller programvaran till din TV uppdaterad. Programuppdateringar ger nya funktioner och prestandaförbättringar.
- 4 Gå in på Sonys supportwebbplats (information finns i slutet av denna manual).

När du ansluter TV:n till elnätet är det kanske inte möjligt att slå på TV:n under en viss tid, även om du trycker på strömbrytarknappen på fjärrkontrollen eller TV:n.

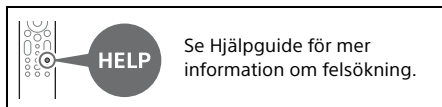
Det tar tid att initiera systemet. Vänta cirka en minut och försök sedan igen.

Fjärrkontrollen fungerar inte.

- Byt ut batterierna.

Lösenordet till barnlåset har glömts av.

- Ange 9999 för PIN-koden och ange en ny PIN-kod.



Specifikationer

System

Skärmsystem: LCD-skärm (bildskärm med flytande kristaller), LED-bakgrundsbelysning

TV-system: Beroende på val av land/område/TV-modell

Analog: B/G, D/K, I

Digital: DVB-T/DVB-C/DVB-T2*1

Satellit*1: DVB-S/DVB-S2

Färgsystem: PAL/SECAM/NTSC3.58 (Endast video)/NTSC4.43 (Endast video)

Kanaltäckning: Beroende på val av land/område/TV-modell

Analog: UHF/VHF/kabel

Digital: UHF/VHF/kabel

Satellit*1: IF-frekvens 950-2 150 MHz

Ljudutgång: 12,5 W + 12,5 W + 12,5 W + 12,5 W + 5 W + 5 W

Trådlös teknik

Protokoll IEEE 802.11a/b/g/n/ac

Bluetooth® version 4.2

Frekvensband

Frekvensområde	Utgångseffekt
Trådlöst LAN (TV)	
2 400-2 483,5 MHz	< 20,0 dBm
5 150-5 250 MHz	< 23,0 dBm
5 250-5 350 MHz	< 20,0 dBm
5 470-5 725 MHz	< 20,0 dBm
5 725-5 850 MHz	< 13,9 dBm
Bluetooth® (TV)	
2 400-2 483,5 MHz	< 10,0 dBm
Bluetooth® (Fjärrkontroll)	
2 400-2 483,5 MHz	< 10,0 dBm

Uttag för ingångar/utgångar

Antenn/kabel

75 ohms externt uttag för VHF/UHF

Satellitantenn*1

Honkontakt av F-Typ, 75 ohm.

DiSEqC 1.0, LNB 13 V/18 V & 22 kHz-ton,
Distribution via enkel kabel-TV EN50494.

↔ / ↔ AV IN

Video/Ljudingång (Mini Jack)

HDMI IN 1/2/3/4 (HDCP 2.3-kompatibel)

Video:

4096 × 2160p (50, 60 Hz)*2*3, 4096 × 2160p
(24 Hz)*2, 3840 × 2160p (50, 60 Hz)*3, 3840 ×
2160p (24, 25, 30 Hz), 1080p (30, 50, 60, 100,
120 Hz), 1080i/24p, 1080i (50, 60 Hz), 720p
(30, 50, 60 Hz), 720i/24p, 576p, 480p,
PC-format*4

7680 × 4320p (24, 25, 30, 50, 60 Hz)*4*5,
3840 × 2160p (100, 120 Hz)*4*5

Ljud:

I eARC (Enhanced Audio Return Channel)-
läge

Se Hjälpguiden för mer detaljer.

Förutom eARC-läge

5,1-kanalig linjär PCM: 32/44,1/48/88,2/96/
176,4/192 kHz 16/20/24-bitars, Dolby
Audio, Dolby Atmos, DTS

eARC/ARC (Enhanced Audio Return Channel/ Audio Return Channel) (Endast HDMI IN 3)*6

I eARC-läge

Se Hjälpguiden för mer detaljer.

I ARC-läge

Tvåkanalig linjär PCM: 48 kHz 16-bitars,
Dolby Audio, Dolby Atmos, DTS

↔ DIGITAL AUDIO OUT (OPTICAL)

Digitalt optiskt kontakt (tvåkanalig linjär PCM:
48 kHz 16-bitars, Dolby Audio, DTS)

🔊 (Stereominiuttag)

Hörlurar

🔌 1, 🔌 2, 🔌 3 (HDD REC)*7

USB-enhetsport (🔌 3 USB HDD-enhet för
REC-funktion)

USB-port 1 och 2 har stöd för High Speed USB
(USB 2.0)

USB-port 3 har stöd för Super Speed USB
(USB 3.1 Gen 1)



CAM-plats (CA-modul)



LAN

10BASE-T/100BASE-TX-kontakt (Beroende på
nätverkets funktionsmiljö, kan
anslutningshastigheten avvika.
Kommunikationshastighet och -kvalitet
garanteras inte.)

CENTER SPEAKER IN

Mithögtalarens ingång (Polklämma)

Ström, informationsblad och annat

Strömförsörjning

220 V - 240 V växelström (AC), 50 Hz

Energieffektivitetsklass

KD-85ZH8: C

KD-75ZH8: C

Skärmstorlek (diagonalt uppmätt) (Ca.)

KD-85ZH8: 214,8 cm / 85 tum

KD-75ZH8: 189,3 cm / 75 tum

Energiförbrukning

I [Standard]-läge

KD-85ZH8: 487 W

KD-75ZH8: 361 W

I [Dagsljus]-läge

KD-85ZH8: 815 W

KD-75ZH8: 590 W

Årlig energiförbrukning*8

KD-85ZH8: 675 kWh per år

KD-75ZH8: 501 kWh per år

Energiförbrukning i standbyläge*9*10

KD-85ZH8: 0,50 W (63 W i

programvaruuppdateringsläge/
EPG-uppdateringsläge)

KD-75ZH8: 0,50 W (52 W i

programvaruuppdateringsläge/
EPG-uppdateringsläge)

Bildupplösning

7 680 punkter (horisontell) × 4 320 linjer

(vertikal)

Uteffekt

USB 1/2

max. 5 V $\overline{\text{---}}$, 500 mA

USB 3

max. 5 V $\overline{\text{---}}$, 900 mA

Mått (Ca.) (b × h × d) (cm)

med bordsstativ

Standardposition:

KD-85ZH8: 192,0 × 111,7 × 42,8

KD-75ZH8: 169,6 × 98,6 × 35,6

Inskränkt position:

KD-85ZH8: 190,4 × 112,0 × 42,8

KD-75ZH8: 168,0 × 98,9 × 35,6

utan bordsstativ

KD-85ZH8: 190,4 × 110,9 × 8,4

KD-75ZH8: 168,0 × 97,7 × 8,4

Stativets bredd (Ca.) (cm)

Standardposition:

KD-85ZH8: 192,0

KD-75ZH8: 169,6

Inskränkt position:

KD-85ZH8: 86,5

KD-75ZH8: 62,3

Vikt (Ca.) (kg)

med bordsstativ

Standardposition:

KD-85ZH8: 67,8

KD-75ZH8: 49,9

Inskränkt position:

KD-85ZH8: 67,3

KD-75ZH8: 49,4

utan bordsstativ

KD-85ZH8: 65,6

KD-75ZH8: 47,9

Övrigt

Valfritt tillbehör

Väggfäste: SU-WL450

Användningstemperatur: 0 °C – 40 °C

Luftfuktighet vid användning: 10 % – 80 %
relativ luftfuktighet (icke-kondenserande)

*1 Vissa TV-apparater har ingen DVB-T2- eller DVB-S/ S2-teknologi eller inget uttag för satellitantenn.

*2 Om 4096 × 2160p matas in och [Bredbildsläge] är inställd till [Normal], visas upplösningen som 3840 × 2160p. För att visa 4096 × 2160p, ställ in inställningen [Bredbildsläge] till [Full 1] eller [Full 2].

*3 För att stödja 18 Gbps, ställ in [HDMI-signalformat] till Förbättrat format.

*4 Se Hjälpguiden på nätet för närmare detaljer.

*5 Endast HDMI IN 4.

*6 Anslut ditt ljudsystem till HDMI IN 3 för att sända TV-ljud till ditt ljudsystem.

*7 Endast för begränsad region/land/TV-modell.

*8 Energiförbrukning i kWh per år, baseras på TV:ns strömförbrukning under 4 timmar per dag i 365 dagar. Den verkliga energiförbrukningen varierar beroende på hur TV-apparaten används.

*9 Specificerad standby-effekt uppnås när TV:n har avslutat nödvändiga interna processer.

*10 Effektförbrukningen i standbyläge ökar när din TV är ansluten till nätverket.

Obs!

- Tillgången på valfria tillbehör beror på land/region/TV-modell/lager.
- Design och specifikationer kan ändras utan förvarning.
- Abonnemang på tjänster och program kan krävas och ytterligare villkor, förutsättningar och/eller avgifter kan gälla vid användning av Google Assistant.

Anmärkningar om digital TV

- Digital-TV (DVB-T, satellit och kabel), interaktiva tjänster och nätverksfunktioner kanske inte är tillgängliga i alla länder eller områden. Vissa funktioner kanske inte är aktiverade eller kanske inte fungerar korrekt med vissa leverantörer och nätverksmiljöer. Vissa TV-tjänstleverantörer kan ta en avgift för sina tjänster.
- Denna TV stöder digitalsändning med användning av MPEG-2-, H.264/MPEG-4 AVC- och H.265/HEVC-codecs, men kompatibilitet med alla operatörs-/tjänstsignaler, vilka kan variera med tiden, kan inte garanteras.

Information om varumärken

- Benämningarna HDMI och HDMI High-Definition Multimedia Interface och HDMI-logotypen är varumärken eller registrerade varumärken som tillhör HDMI Licensing Administrator, Inc. i USA och andra länder.
- Dolby, Dolby Vision, Dolby Atmos, Dolby Audio och den dubbla D-symbolen är varumärken som tillhör Dolby Laboratories. Tillverkad på licens från Dolby Laboratories. Sekretessbelagda, icke publicerade arbeten. Copyright © 2012-2018 Dolby Laboratories. Med ensamrätt.
- Gracenote, Gracenote-logon och -logotypen, och "Powered by Gracenote"-logon är antingen registrerade varumärken eller varumärken som tillhör Gracenote, Inc. i USA och/eller andra länder.
- Google, Google Play, Chromecast, YouTube, Android TV och andra relaterade märken och logos är varumärken som tillhör Google LLC.

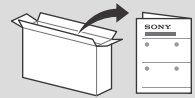
- För DTS-patent se <http://patents.dts.com>.
Tillverkad under licens från DTS, Inc. DTS, symbolen, DTS och symbolen tillsammans samt Digital Surround är registrerade varumärken eller varumärken som tillhör DTS, Inc. i USA och/eller andra länder. © DTS, Inc. Med ensamrätt.
- Netflix är ett registrerat varumärke som tillhör Netflix, Inc.
- DiSEqC™ är ett varumärke som tillhör EUTELSAT.
Denna TV stödjer DiSEqC 1.0. Denna TV bör inte användas för att manövrera motorstyrda antenner.
- TUXERA är ett registrerat varumärke som tillhör Tuxera Inc. i USA och andra länder.
- Alla andra varumärken tillhör sina respektive ägare.

Om brugervejledninger

Dette TV leveres med følgende brugervejledninger. Opbevar brugervejledningerne for fremtidig reference.

Installationsvejledning

- Installation og opsætning af TV.



Referencevejledning (denne brugervejledning) / sikkerhedsdokumentation

- Sikkerhedsoplysninger, fjernbetjening, fejlfinding, installation af vægmontering, specifikation osv.



Hjælpevejledning (brugervejledning på skærmen)

- Indstillinger, Android TV-funktioner, internetforbindelse, fejlfinding osv.
- Tryk på knappen **HELP** på fjernbetjeningen, og vælg Hjælpevejledning for at åbne den.



- Du kan se Hjælpevejledning med din smartphone.



https://rd1.sony.net/help/tv/haep1/h_aep/

VIGTIGT – Læs softwarelicensaftalen for slutbruger, før du anvender dit Sony-produkt. Anvendelse af dit produkt indikerer din accept af softwarelicensaftalen for slutbruger. Softwarelicensaftalen mellem dig og Sony er tilgængelig online på Sonys hjemmeside (<http://www.sony.net/tv-software-licenses/>) eller på skærmen af dit produkt. Gå til [Indstillinger] → [Enhedspræferencer] → [Om] → [Juridisk oplysninger] → [Notater og licenser].

Bemærk

- Før du benytter TV'et, bedes du læse "Sikkerhedsoplysninger".
- Læs den medfølgende sikkerhedsdokumentation for yderligere sikkerhedsoplysninger.
- Billeder og illustrationer i Installationsvejledningen og denne vejledning er udelukkende til referencebrug og kan afvige fra det faktiske produkt.
- Det viste "xx" i modelnavnet er et numerisk tal, der henviser til design, farve eller TV-system.

Placering af identifikationsmærkat

Mærkatet med oplysninger om modelnummer, produktionsdato (år/måned) og strømforsyning findes på bagsiden af TV et eller på emballagen. De kan findes ved at fjerne terminaldækslet.

VIGTIG BESKED

Bemærkning til radioudstyr

Hermed erklærer Sony Corporation, at radioudstyrstyperne KD-85ZH8, KD-75ZH8 er i overensstemmelse med direktiv 2014/53/EU. EU-overensstemmelseserklæringens fulde tekst kan findes på følgende internetadresse: <http://www.compliance.sony.eu/>

Bemærkning til kunder: følgende informationer gælder kun for udstyr, som sælges i lande, hvor EU-direktiverne gælder.

For dette radioudstyr gælder følgende restriktioner for at sætte det i drift eller tage det ud af drift, samt krav til autorisation til brug gældende i AT, BE, HR, CY, CZ, DK, EE, FI, FR, DE, EL, HU, IE, IT, LV, LT, LU, MT, NL, PL, PT, SK, SI, ES, SE, UK, IS, LI, NO, CH, BG, RO, TR, AL, BA, MK, MD, RS, ME, Kosovo :
Frekvensbåndet 5.150 - 5.350 MHz er begrænset til kun at måtte bruges indendørs.

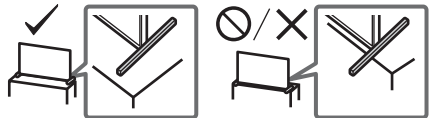
Sikkerhedsoplysninger

Installation/Opsætning

Installer og brug TV et i overensstemmelse med nedenstående vejledning for at undgå brand, elektrisk stød eller skader på personer og materiel.

Installation

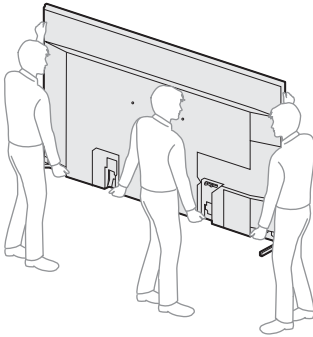
- TV'et skal sættes op ved en let tilgængelig stikkontakt.
- Anbring TV-apparatet på en stabil, plan overflade, så det ikke vælter, og forårsager personskade eller skader på ejendom.
- Placer TV'et et sted, hvor der ikke kan trækkes i det, hvor det ikke skubbes eller væltes.
- Placer TV'et, så TV-foden ikke stikker frem fra TV-bordet (medfølger ikke). Hvis TV-foden stikker frem fra TV-bordet, kan TV'et vælte, falde ned og medføre personskade eller beskedige TV'et.



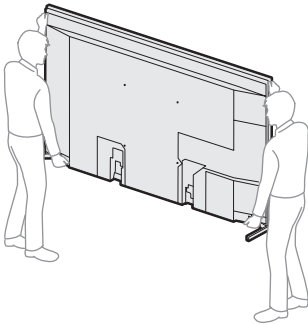
Transport

- Før transport af TV'et tages alle kabler ud.
- Der er behov for to eller flere personer (tre eller flere for KD-85ZH8) for at transportere et stort TV-apparat.
- Når TV'et flyttes med hånden, skal det holdes som vist nedenfor. Belast ikke LCD-skærmen og rammen omkring skærmen.

KD-85ZH8

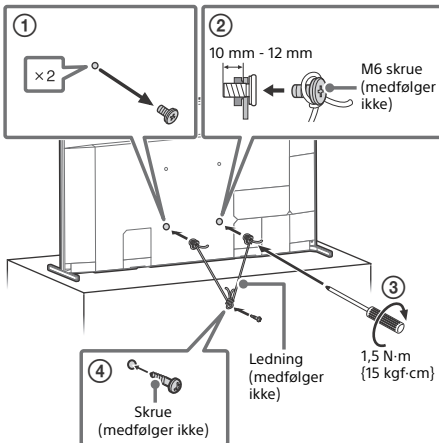


KD-75ZH8

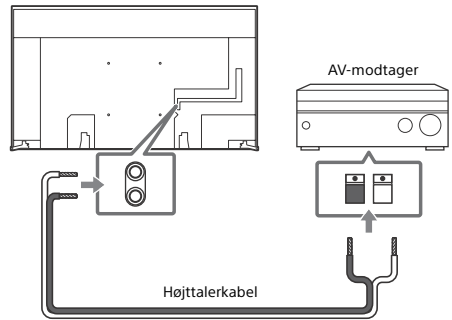


- TV'et må ikke udsættes for fysiske stød eller kraftige vibrationer under transport.
- TV'et skal pakkes ind i originalemballagen og sættes ned i originalkassen, når det skal til reparation eller blot flyttes.

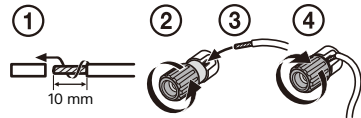
Vælteforebyggelse



Brug af TV som centerhøjtaler



- Før du tilslutter kabler, skal du frakoble strømledningen på både TV og AV-modtager.
- Kontrollér, at [Højtaler] er indstillet til [Lydsystem].

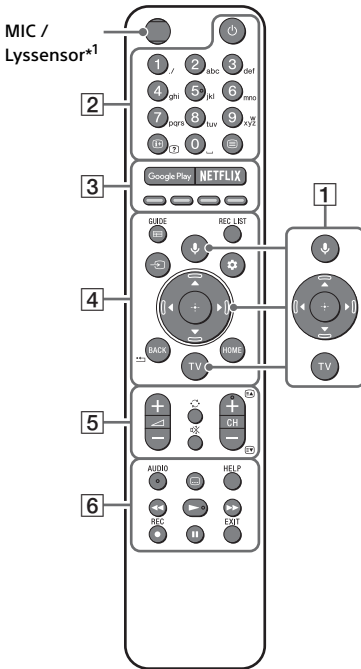


For at forhindre summen, når du ikke forbinder CENTER SPEAKER IN til en AV-modtager, skal du deaktivere [TV-center højtaler-tilstand]. For yderligere oplysninger, se din Hjelpevejledning.

DK

Fjernbetjening og TV

Fjernbetjeningens form, placering, tilgængelighed og funktion kan variere afhængigt af region/land/TV-model.



- 1** (**Mikrofon**): Anvend Google Assistant*²*³ eller stemmesøgning*³. For tips til, hvordan du styrer dit TV, skal du trykke på knappen (Mikrofon) og sige sætningen "taletips".*²
▲/▼/◀/▶/⊕: Skærmmenu-navigering og valg.

TV: Få vist listen med TV-kanaler, eller skift til indtastning.

- 2** (**TV-standby**)

Talknapper

(**Informationer/Vis skjult tekst**):

Vis information.

(**Tekst-TV**): Viser tekstinformationer.

- 3** **Google Play / NETFLIX***² / **Farveknapper**

- 4** **GUIDE**/: Få vist den digitale programvejledning for TV eller kabel-/satellitboks*²*⁴.

REC LIST: Vis Rec-listen for USB HDD/DVR*⁴.

→ (**Indgangsvælger**): Vis og vælg indgangskilden, etc.

(**Hurtige indstillinger**): Vis hurtige indstillinger.

BACK/

HOME

- 5** **+/- (Lydstyrke)**

(**Spring**)

(**Lydløs**)*⁵

CH +/-//: Vælg kanal eller næste () / forrige () side.

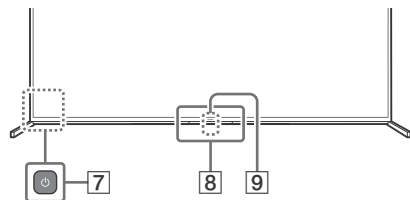
- 6** **AUDIO**: Vælg lyden fra flersproget kilde eller dual-lyd (afhængig af programkilde).

(**Undertekst-indstilling**)

HELP: Vis menuen Hjælp.

REC: Optag det program der ses nu på USB HDD/DVR*⁴.

EXIT



- 7** (**Power**)

- 8** **Fjernbetjeningens sensor / Lyssensor / LED***⁶


- 9** **Indbygget MIC***²*³*⁷: Tryk på knappen (Mikrofon) på fjernbetjeningen for at aktivere den indbyggede mikrofon og følg vejledningen på skærmen.

*1 Fjernbetjeningens baggrundsbelysning lyser, når lyssensoren registrerer, at den omgivende belysning er lav. Automatisk baggrundsbelysning kan slukkes.

*2 Kun ved begrænset region/land/TV-model/sprog.

*3 Google Assistant eller stemmesøgning kræver internetforbindelse.

- *4 Indstillingen [Opsætning af styring af Kabel-/satellitboks] kræves.
- *5 En genvej til tilgængelighed er tilgængelig ved at trykke på \otimes (Lydløs) og holde den nede.
- *6 Lysdioden til den indbyggede MIC er også inkluderet.
- *7 Strømforbruget i standby øges, da den indbyggede MIC altid lytter, når den er aktiveret.



For yderligere oplysninger, se din Hjælpevejledning.

Vægmontering af TV'et

Anvendelse af det valgfrie Beslag til vægmontering (SU-WL450)* (medfølger ikke)

Til kunderne:

Af hensyn til produktets og den generelle sikkerhed anbefaler Sony på det kraftigste, at monteringen af TV'et udføres af en Sony-forhandler eller en autoriseret installatør. Forsøg ikke at montere det selv.

Til Sony-forhandlere og installatører:

Vær opmærksom på sikkerheden under montering, vedligeholdelse og eftersyn af produktet.

Beslag til vægmontering - vejledning

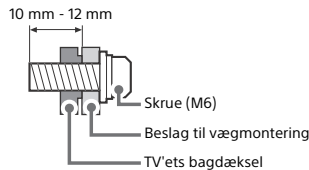
TV'ets betjeningsvejledning viser kun trinnene til klargøring af TV'et for vægmonteringen, før det er installeret på væggen. For vejledning til installation af Beslag til vægmontering, se installationsvejledningen (Beslag til vægmontering) på din TV-models produktside. <https://www.sony.eu/support>

Forberedelse til vægmontering

Sørg for at fastgøre TV-foden ifølge Installationsvejledningen, før TV'et monteres på væggen.

- Klargør tv'et til Beslaget til vægophængning, inden kablerne tilsluttes.
- Følg instruktionsvejledningen, som følger med Beslaget til vægmontering, for din model. Monteringen af dette TV kræver tilstrækkelig ekspertise. Dette er især vigtigt, når du skal finde ud af, om væggen kan bære TV'ets vægt.

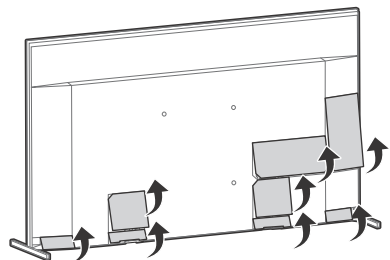
- Monteringen af dette produkt skal udføres af en Sony-forhandler eller autoriseret installatør under hensyntagen til sikkerheden. Sony er ikke ansvarlig for beskadigelse eller personskaade, der opstår som følge af forkert håndtering eller forkert montering.
- Skruerne til Beslag til vægmontering medfølger ikke.
- Kun en autoriseret installatør må udføre væginstallationer.
- Af sikkerhedsmæssige grunde anbefales det at anvende Sony-tilbehør, herunder:
 - Beslag til vægmontering SU-WL450
- Sørg for at bruge de skruer, der følger med Beslaget til vægmontering ved montering af Beslaget til vægmontering på TV'et. De medfølgende skruer er designet som vist på illustrationen, når der måles fra fastgørelsesoverfladen til Beslaget til vægmontering. Skruernes diameter og længde afhænger af Beslaget til vægmontering. Hvis der anvendes andre skruer end de medfølgende, kan det medføre indvendige skader på TV-apparatet eller få det til at falde ned eller lignende.



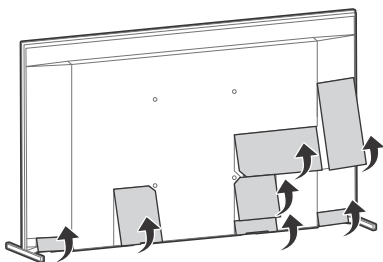
- Sørg for at opbevare de ubrugte skruer og TV-foden på et sikkert sted, indtil du er klar til at fastgøre TV-foden. Opbevar skruerne uden for børns rækkevidde.

* Kun ved begrænset region/land/TV-model.

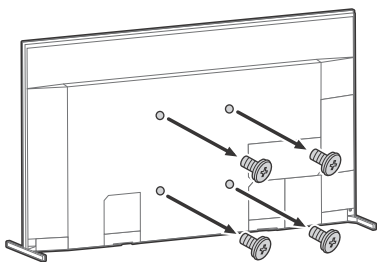
1 Fjern terminalafdækningerne. KD-85ZH8



DK



2 Fjern skruer fra bagsiden af TV'et.



Fejlfinding

Ved generel fejlfinding for emner som: sort skærm, ingen lyd, frosset billede, TV'et reagerer ikke, eller netværk afbrydes, gøres følgende.

- 1 Genstart dit TV ved at trykke på afbryderen på fjernbetjeningen i omtrent fem sekunder. TV'et vil genstarte. Hvis TV'et ikke gendannes, prøv at tage netledningen ud. Tryk derefter på afbryderen på TV'et, og slip den. Vent i to minutter, og tilslut netledningen.
- 2 Se i Hjælpevejledningen ved at trykke **HELP** på fjernbetjeningen.
- 3 Tilslut dit TV til internettet, og udfør en softwareopdatering. Sony anbefaler, at du holder TV'ets software opdateret. Softwareopdateringer indeholder nye funktioner og ydelsesforbedringer.
- 4 Besøg Sonys supportthjemmeside (oplysninger er forhåndenværende i slutningen af denne brugervejledning).

Når du sætter TV'ets stik i, kan der gå et stykke tid, før TV'et kan tændes, selvom du trykker på afbryderen på fjernbetjeningen eller på TV'et.


Det tager tid at initialisere systemet. Vent omkring et minut, og prøv igen.

Fjernbetjeningen virker ikke.

- Udskift batterierne.

Adgangskoden til børnesikring er blevet glemt.

- Indtast 9999 for PIN, og indtast den nye PIN.



For yderligere oplysninger om fejlfinding, se din Hjælpevejledning.

Specifikationer

System

Panelsystem: LCD-panel (flydende krystal), LED-baggrundslys

TV-system: Afhænger af land/områdevalg/
TV-model

Analog: B/G, D/K, I

Digital: DVB-T/DVB-C/DVB-T2*1

Satellit*1: DVB-S/DVB-S2

Farvesystem: PAL/SECAM/NTSC3.58 (kun video)/NTSC4.43 (kun video)

Kanaldækning: Afhænger af land/områdevalg/
TV-model

Analog: UHF/VHF/kabel

Digital: UHF/VHF/kabel

Satellit*1: IF-frekvens 950-2.150 MHz

Lydeffekt: 12,5 W + 12,5 W + 12,5 W + 12,5 W +
5 W + 5 W

Trådløs teknologi

Protokol IEEE 802.11a/b/g/n/ac

Bluetooth® Version 4.2

Frekvensbånd

Frekvensområde	Udgangseffekt
Trådløst LAN (TV)	
2.400-2.483,5 MHz	< 20,0 dBm
5.150-5.250 MHz	< 23,0 dBm
5.250-5.350 MHz	< 20,0 dBm
5.470-5.725 MHz	< 20,0 dBm
5.725-5.850 MHz	< 13,9 dBm
Bluetooth® (TV)	
2.400-2.483,5 MHz	< 10,0 dBm
Bluetooth® (Fjernbetjening)	
2.400-2.483,5 MHz	< 10,0 dBm

Indgangs-/Udgangsstik

Antennekabel

75 ohm, eksternt stik til VHF/UHF

Satellitantenne*1

Hunstik af F-type stik, 75 ohm.

DiSEqC 1.0, LNB 13 V/18 V & 22 kHz-tone,

Enkeltkabeldistribution EN50494.

/ AV IN

Video-/lydindgang (minijack-stik)

HDMI IN 1/2/3/4 (HDCP 2.3-kompatibel)

Video:

4096 × 2160p (50, 60 Hz)*2*3, 4096 × 2160p (24 Hz)*2, 3840 × 2160p (50, 60 Hz)*3, 3840 × 2160p (24, 25, 30 Hz), 1080p (30, 50, 60, 100, 120 Hz), 1080i/24p, 1080i (50, 60 Hz), 720p (30, 50, 60 Hz), 720i/24p, 576p, 480p, Pc-formater*4

7680 × 4320p (24, 25, 30, 50, 60 Hz)*4*5, 3840 × 2160p (100, 120 Hz)*4*5

Lyd:

I eARC (Enhanced Audio Return Channel)-tilstand

Se Hjælpevejledningen for detaljer.

Bortset fra eARC-tilstand

5,1-kanals lineær PCM: 32/44,1/48/88,2/96/176,4/192 kHz 16/20/24 bit, Dolby Audio, Dolby Atmos, DTS

eARC/ARC (Enhanced Audio Return Channel/Audio Return Channel) (kun HDMI IN 3)*6

I eARC-tilstand

Se Hjælpevejledningen for detaljer.

I ARC-tilstand

To-kanals lineær PCM: 48 kHz 16 bit, Dolby Audio, Dolby Atmos, DTS

DIGITAL AUDIO OUT (OPTICAL)


Digitalt optisk stik (to-kanals lineær PCM):

48 kHz 16 bit, Dolby Audio, DTS)

(Stereo-minijack)

Hovedtelefoner

1, 2, 3 (HDD REC)*7

USB-port ( 3 USB HDD-enhed for REC-funktion)

USB-port 1 og 2 understøtter High Speed USB (USB 2.0)

USB-port 3 understøtter Super Speed USB (USB 3.1 Gen 1)



CAM (Conditional Access Module)-holder



LAN

10BASE-T/100BASE-TX-stik

(Forbindeshastigheden kan variere, afhængigt af netværksmiljøet. Der garanteres ikke for kommunikationshastighed og -kvalitet.)

CENTER SPEAKER IN

Indgang for centerhøjtaler (bananbøsning)

Strøm, datablad og andet

Strømkrav

220 V - 240 V AC, 50 Hz

Lavenergiklasse

KD-85ZH8: C

KD-75ZH8: C

Skærmstørrelse (målt diagonalt) (Ca.)

KD-85ZH8: 214,8 cm / 85 tommer

KD-75ZH8: 189,3 cm / 75 tommer

Strømforsbrug

I [Standard] tilstand

KD-85ZH8: 487 W

KD-75ZH8: 361 W

I [Kraftig] tilstand

KD-85ZH8: 815 W

KD-75ZH8: 590 W

Årligt energiforbrug*8

KD-85ZH8: 675 kWh pr. år

KD-75ZH8: 501 kWh pr. år

Strømforsbrug i standby*9*10

KD-85ZH8: 0,50 W (63 W i software-/

EPG-opdateringstilstand)

KD-75ZH8: 0,50 W (52 W i software-/

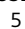
EPG-opdateringstilstand)

Skærmopløsning

7.680 punkter (vandret) × 4.320 linjer (lodret)

Udgangseffekt

USB 1/2

5 V , 500 mA MAKS

USB 3

5 V , 900 mA MAKS

Mål (Ca.) (b × h × d) (cm)

Inkl. TV-fod

Standardposition:

KD-85ZH8: 192,0 × 111,7 × 42,8

KD-75ZH8: 169,6 × 98,6 × 35,6

Smal position:

KD-85ZH8: 190,4 × 112,0 × 42,8

KD-75ZH8: 168,0 × 98,9 × 35,6

Uden TV-fod

KD-85ZH8: 190,4 × 110,9 × 8,4

KD-75ZH8: 168,0 × 97,7 × 8,4

Stativets bredde (Ca.) (cm)

Standardposition:

KD-85ZH8: 192,0

KD-75ZH8: 169,6

Smal position:

KD-85ZH8: 86,5

KD-75ZH8: 62,3

Vægt (Ca.) (kg)

Inkl. TV-fod

Standardposition:

KD-85ZH8: 67,8

KD-75ZH8: 49,9

Smal position:

KD-85ZH8: 67,3

KD-75ZH8: 49,4

Uden TV-fod

KD-85ZH8: 65,6

KD-75ZH8: 47,9

Andre

Ekstraudstyr

Beslag til vægmontering: SU-WL450

Driftstemperatur: 0 °C til 40 °C

Driftsfugtighed: 10 % til 80 % RH (ikke-kondenserende)

*1 Ikke alle TV-sæt har DVB-T2 eller DVB-S/S2-teknologi eller satellitantenneterminal.

*2 Når 4096 × 2160p er input og [Bredformatstilstand] er sat til [Normal], vises opløsningen som 3840 × 2160p. For at vise 4096 × 2160p, sæt indstillingen [Bredformatstilstand] til [Fuld 1] eller [Fuld 2].

*3 For at understøtte 18 Gbps, indstil [HDMI-signalfORMAT] til Forbedret format.

*4 Se Hjælpevejledningen online for detaljer.

*5 Kun HDMI IN 4.

*6 Tilslut dit lydsystem til HDMI IN 3 for at overføre TV-lyd til dit lydsystem.

*7 Kun ved begrænset region/land/TV-model.

*8 Energiforbrug i kWh pr. år er baseret på TV'ets strømforbrug ved brug i 4 timer om dagen, 365 dage om året. Det egentlige energiforbrug afhænger af, hvordan TV'et bruges.

*9 Den angivne standbyeffekt nås, når TV'et har afsluttet nødvendige interne processer.

*10 Strømforbruget i standby øges, når TV'et er tilsluttet netværket.

Bemærk

- Tilgængeligheden af ekstraudstyr afhænger af land/område/TV-model/lager.
- Design og specifikationer kan ændres uden varsel.
- Abonnement på tjenester og applikationer kan være påkrævet, og yderligere vilkår, betingelser og/eller gebyrer kan være gældende ved anvendelse af Google Assistant.

Bemærkninger om digital TV-funktion

- Digitale TV (DVB terrestrisk, satellit og kabel), interaktive tjenester og netværksfunktioner er muligvis ikke tilgængelige i alle lande eller områder. Nogle funktioner er muligvis ikke aktiveret eller fungerer måske ikke korrekt hos nogle leverandører og netværksmiljøer. Nogle TV-udbydere kan opkræve et gebyr for deres ydelser.
- Dette TV understøtter digital udsendelse ved hjælp af MPEG-2, H.264/MPEG-4 AVC og H.265/HEVC codec, men kompatibilitet med alle operatør/service-signaler, som kan ændre sig over tid, kan ikke garanteres.

Oplysninger om varemærker

- Ordene HDMI og HDMI High-Definition Multimedia Interface og HDMI-logoet er varemærker eller registrerede varemærker tilhørende HDMI Licensing Administrator, Inc. i USA og andre lande.
- Dolby, Dolby Vision, Dolby Atmos, Dolby Audio og det dobbelte D-symbol er varemærker tilhørende Dolby Laboratories. Fremstillet under licens fra Dolby Laboratories. Fortrolige og ikke offentliggjorte arbejder. Copyright © 2012-2018 Dolby Laboratories. Alle rettigheder forbeholdes.
- Gracenote, Gracenote logoet og logotype, logoet "Powered by Gracenote" er enten registrerede varemærker eller varemærker tilhørende Gracenote, Inc. i USA og/eller andre lande.
- Google, Google Play, Chromecast, YouTube, Android TV og andre relaterede mærker og logoer er varemærker tilhørende Google LLC.
- For DTS-patenter henvises til <http://patents.dts.com>. Fremstillet under licens fra DTS, Inc. DTS, symbolet, DTS og symbolet sammen, og Digital Surround er registrerede varemærker eller varemærker tilhørende DTS, Inc. i USA og/eller andre lande. © DTS, Inc. Alle rettigheder forbeholdes.
- Netflix er et registreret varemærke tilhørende Netflix, Inc.

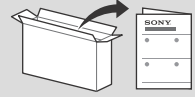
- DiSEqC™ er et varemærke tilhørende EUTELSAT. Dette TV understøtter DiSEqC 1.0. Dette TV er ikke beregnet til at styre motoriserede antenner.
- TUXERA er et registreret varemærke tilhørende Tuxera Inc. i USA og andre lande.
- Alle andre varemærker er tilhørende deres respektive ejere.

Tietoa oppaista

Television mukana toimitetaan seuraavat oppaat. Säilytä oppaat myöhempää käyttöä varten.

Asetusopas

- Television asentaminen ja asetukset.



Viiteopas (tämä opaskirja) / turvaohjeistus

- Turvallisuusohjeet, kaukosäädin, vianmääritys, seinäasennus, tekniset tiedot jne.



Käyttöopas (sähköinen opas)

- Asetukset, Android TV -toiminnot, Internet-yhteys, vianmääritys jne.
- Avaa painamalla kaukosäätimen **HELP**-painiketta ja valitsemalla Käyttöopas.



- Käyttöopas toimii myös älypuhelimella.



https://rd1.sony.net/help/tv/haep1/h_aep/

TÄRKEÄÄ – Lue loppukäyttäjän ohjelmistolisenssisopimus ennen Sony-laitteen käyttöä. Tuotteen käyttäminen tarkoittaa sitä, että käyttäjä on hyväksynyt loppukäyttäjän ohjelmistolisenssisopimuksen. Käyttäjän ja Sonyn välinen ohjelmistolisenssisopimus on saatavana verkossa Sonyn verkkosivustolla (<http://www.sony.net/tv-software-licenses/>) tai laitteen näytöllä. Siirry kohtaan [Asetukset] → [Laitteen asetukset] → [Tietoja] → [Oikeudelliset tiedot] → [Ilmoitukset ja lisenssit].

Huomautus

- Lue ennen TV:n käyttöä kohta "Turvallisuusohjeet".
- Lue turvallisuutta koskevat lisätiedot mukana toimitetusta turvaohjeistuksesta.
- Asennusoppaassa ja tässä käyttöohjeessa käydyt kuvat ja piirroksot ovat ohjeellisia ja voivat poiketa kyseisestä tuotteesta.
- Mallinimen "xx"-kirjain vastaa numeroa, joka liittyy rakenteeseen, väriin tai TV-järjestelmään.

Tunnistemerkitöjen sijainti

Mallinumerotiedot, valmistuspäivämäärä (vuosi/kuukausi) ja jännitemerkintä sijaitsevat television takaosassa tai pakkauksessa. Ne löytyvät kun liitinten kansi avataan.

TÄRKEÄ HUOMAUTUS

Radiolaitteisiin liittyvä huomautus

Sony Corporation vakuuttaa, että radiolaitteityypit KD-85ZH8, KD-75ZH8 ovat direktiivin 2014/53/EU mukaisia. EU-vaatimustenmukaisuusvakuutuksen täysimittainen teksti on saatavilla seuraavassa internetosoitteessa: <http://www.compliance.sony.eu/>

Huomautus asiakkaille: seuraavat tiedot koskevat ainoastaan laitteita, joita myydään EU:n direktiivejä noudattavissa maissa.

Seuraavat tätä radiolaitetta koskevat käyttörajoitukset tai käyttövaltuutusvaatimukset ovat voimassa maissa AT, BE, HR, CY, CZ, DK, EE, FI, FR, DE, EL, HU, IE, IT, LV, LT, LU, MT, NL, PL, PT, SK, SI, ES, SE, UK, IS, LI, NO, CH, BG, RO, TR, AL, BA, MK, MD, RS, ME, Kosovo :
Taajuudet 5 150 - 5 350 MHz on rajoitettu vain sisäkäyttöön.

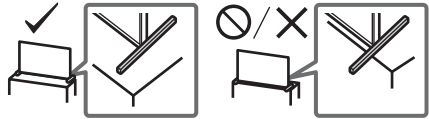
Turvallisuusohjeet

Asennus ja käyttö

Noudata television asennuksessa ja käytössä seuraavia ohjeita välttääksesi tulipalon tai sähköiskun vaaran tai laitteen vaurioitumisen ja/tai henkilövahingon.

Asennus

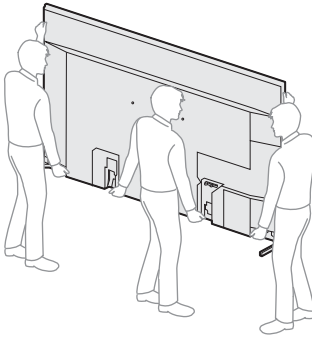
- Televisio on sijoitettava helposti käsillä olevan verkkopistorasian lähelle.
- Aseta televisio tukevalle, tasaiselle alustalle, ettei se kaadu ja aiheuta henkilö- tai omaisuusvahinkoja.
- Asenna televisio paikkaan, jossa sitä ei voida vetää, työntää tai kaataa.
- Asenna televisio niin, ettei TV:n pöytäjalusta työnny televisiotason (ei sisälly toimitukseen) ulkopuolelle. Jos TV:n pöytäjalusta työnny televisiotason ulkopuolelle, TV voi kaatua tai pudota ja aiheuttaa henkilövahingon tai television vaurioitumisen.



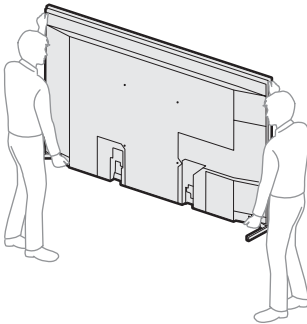
Laitteen kuljettaminen ja siirtäminen

- Irrota kaikki johdot ennen television siirtämistä.
- Suurikokoisen television siirtämisessä tarvitaan vähintään kaksi henkilöä (KD-85ZH8 -laitetta siirrettäessä vähintään kolme).
- Kun TV:tä kuljetetaan käsin, pidä siitä kiinni alla olevan mukaisesti. Älä paina LCD-ruudun pintaa tai ruudun ympärillä olevaa kehystä.

KD-85ZH8

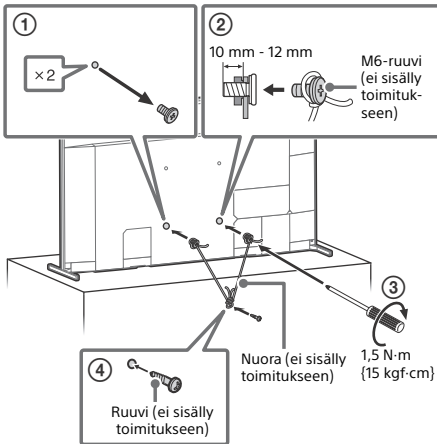


KD-75ZH8

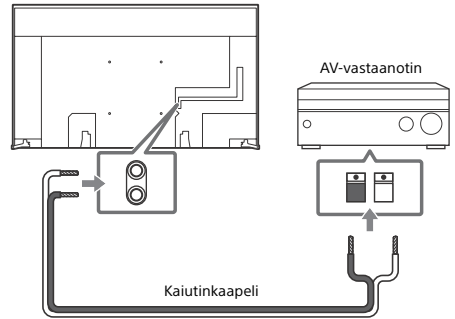


- Älä altista laitetta iskuille tai liialliselle värinäälle kuljetuksen aikana.
- Kun toimitat television huoltoon, tai kun kuljetat sitä muuton yhteydessä, pakkaa laite alkuperäiseen pakkaukseen ja suojaa se alkuperäisillä pakkausmateriaaleilla.

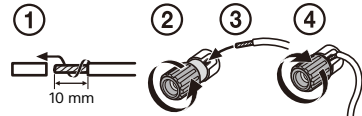
Kaatumisen estäminen



Television käyttö keskikaiuttimena



- Irrota sekä TV:n että AV-vastaanottimen virtajohto pistorasiasta ennen kaapeleiden liittämistä.
- Varmista, että kohdan [Kaiuttimet] asetuksena on [Äänijärjestelmä].

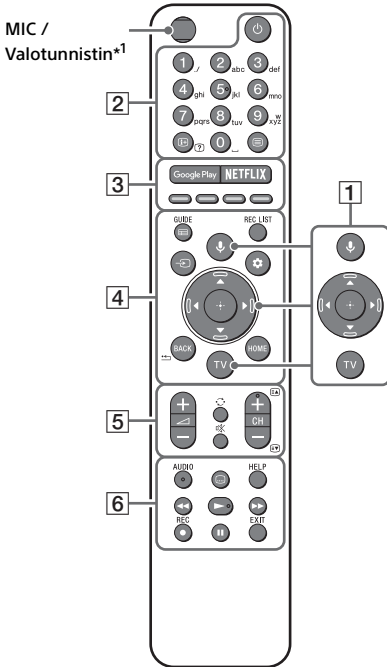


Estä kohina, kun CENTER SPEAKER IN-liitäntää ei kytetä laitteen AV-vastaanottimeen, poistamalla [Television keskimmäisen kaiuttimen tila] käytöstä. Katso lisätietoja käyttöoppaasta.

FI

Kaukosäädin ja TV

Kaukosäätimen muoto sekä kaukosäätimen painikkeiden sijainti, saatavuus ja toiminta saattavat vaihdella alueen/maan/TV-mallin mukaan.



1 **🎤 (Mikrofoni):** Käytä Google Assistantia*²*³ tai puhehakuja*³. Television käyttövinkejä saat painamalla **🎤 (Mikrofoni)** -painiketta ja sanomalla "äänivihjeet".*²

▲/▼/◀/▶/⊕: Navigointiin ja valitsemiseen ruutuvalikoissa.

TV: Näytät television kanavaluettelo tai vaihda tuloon.

2 **📺 (TV-valmiustila)**

Numeropainikkeet

ℹ️/? (Tiedot/tekstin paljastus): Näytät tiedot.

☰ (Teksti): Näytät tekstitiedot.

3 **Google Play / NETFLIX*² / Väripainikkeet**

4 **GUIDE/☰:** Näytät television tai kaapeli-/satelliittivastaanottimen digitaalinen ohjelmaopas*²*⁴.

REC LIST: Näyttää USB-kiintolevyn tai DVR-laitteen*⁴ tallennuslistan.

→ (Tulosignaalin valinta): Näytät ja valitset ohjelmälähde, jne.

⚙️ (Pika-asetukset): Näytät Pika-asetukset.

BACK/◀️

HOME

5 **↔️ +/- (Äänenvoimakkuus)**

⌛ (Hyppää)

🔊 (Mykistys)*⁵

CH +/-/⏪/⏩: Valitse kanava tai seuraava (⏪) / edellinen (⏩) sivu.

6 **AUDIO:** Valitsee äänen monikieliseksi tai kaksikieliseksi ohjelmalle (riippuu ohjelmälähteestä).

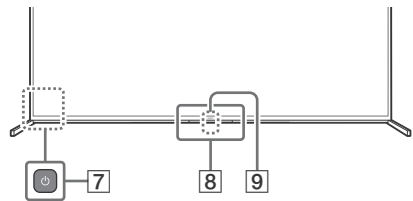
⋮ (Tekstityksen asetukset)

HELP: Näytät Ohje-valikko.

⏪/▶️/▶️/||

● REC: Tallentaa katselemasi ohjelman USB-kiintolevylle tai DVR-laitteelle*⁴.

EXIT



7 **🔌 (Virta)**

8 **Kaukosäädinanturi / Valotunnistin / LED*⁶**

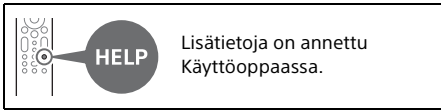
9 **Sisäinen mikrofoni*²*³*⁷:** Ota sisäinen mikrofoni käyttöön painamalla kaukosäätimen **🎤 (Mikrofoni)** -painiketta ja noudattamalla näytön ohjeita.

*¹ Kaukosäätimen taustavalo valaisee silloin, kun valotunnistin on havainnut, että ympäristön valaistus on heikko. Taustavalon automaattinen valaisu voidaan laittaa pois päältä.

*² Vain rajoitetuilla alueilla/maissa/TV-malleissa/kielissä.

*³ Google Assistant tai puhehaku vaativat Internet-yhteyden.

- *4 [Kaapeli-/satellittivastaanotin] -asetus on määritettävä.
- *5 Helppokäyttötoiminto käynnistyy pitämällä \otimes (Mykistys) -näppäintä alhaalla.
- *6 Sisältää myös sisäisen mikrofonin LED-valon.
- *7 Valmiustilan virrankulutus kasvaa, koska sisäinen mikrofoni kuuntelee aina, kun se on otettu käyttöön.



Television asennus seinälle

Lisävarusteena saatavan Seinäasennuskiinnittimen käyttäminen (SU-WL450)* (ei sisälly toimitukseen)

Asiakkaille:

Tuotteen suojelemiseksi ja turvallisuuden vuoksi Sony suosittelee, että television asennus annetaan Sonyn jälleenmyyjän tai luvallisen urakoitsijan tehtäväksi. Älä yritä asentaa sitä itse.

Sony-jälleenmyyjille ja -urakoitsijoille:

Kiinnitä erityistä huomiota turvallisuuteen tämän tuotteen asennuksen, huollon ja tarkastuksen aikana.

Seinäasennuskiinnitin asennustiedot

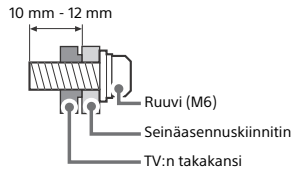
Tässä TV:n käyttöoppaassa kuvataan vain vaiheet, joilla TV valmistellaan seinäasennusta varten ennen kuin se asennetaan seinälle. Ohjeita Seinäasennuskiinnittimen asennukseen on TV-mallisi tuotesivun Asennustiedot (Seinäasennuskiinnitin) -kohdassa. <https://www.sony.eu/support>

Seinäasennuksen valmistelu

Muista kiinnittää pöytäjalusta Asetusopas mukaisesti ennen kuin asennat TV:n seinään.

- Kiinnitä televisio Seinäasennuskiinnittimeen ennen kuin liität kaapelit.
- Noudata oman mallisi Seinäasennuskiinnittimen mukana toimitettuja ohjeita. Tämän TV:n asentaminen edellyttää riittävää ammattitaitoa erityisesti sen määrittämiseksi, kestäkö seinä television painon.

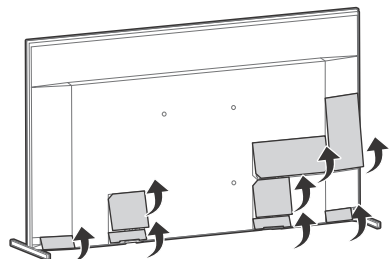
- Tämän tuotteen seinään asentaminen on jätettävä Sonyn jälleenmyyjän tai luvallisen urakoitsijan tehtäväksi ja asennuksen turvallisuuteen on kiinnitettävä riittävästi huomiota. Sony ei ole vastuussa mistään vahingosta tai vammoista, jotka johtuvat tuotteen väärästä käsittelystä tai asennuksesta.
- Seinäasennuskiinnittimen ruuvit eivät sisälly toimitukseen.
- Seinäasennuksen saa suorittaa ainoastaan asiantunteva henkilöstö.
- Turvallisuussyistä on erittäin tärkeää käyttää Sonyn varusteita:
 - Seinäasennuskiinnitin SU-WL450
- Muista käyttää Seinäasennuskiinnittimen mukana toimitettuja ruuveja, kun kiinnität Seinäasennuskiinnittimen TV-vastaanottimeen. Mukana toimitetut ruuvit on suunniteltu kuvan mukaisesti Seinäasennuskiinnittimen asennuspinnasta mitattuna. Ruuvien halkaisija ja pituus vaihtelevat riippuen Seinäasennustelineen mallista. Muiden kuin mukana toimitettujen ruuvien käyttö voi aiheuttaa vaurioita television sisäosiin, television putoamisen tai muuta vahinkoa.

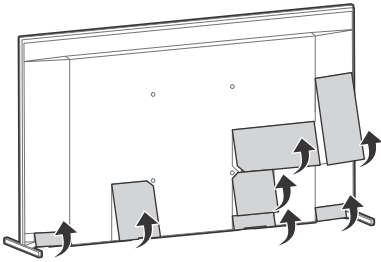


- Varmista, että käyttämättömät ruuvit ja pöytäjalusta ovat varmassa tallessa, kunnes olet valmis kiinnittämään pöytäjalustan. Pidä ruuvit poissa pienten lasten ulottuvilta.

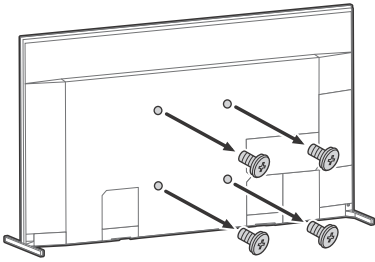
* Vain rajoitetuilla alueilla/maissa/TV-malleissa.

1 Irrota liitinkannet. KD-85ZH8





2 Irrota ruuvit TV:n takaosasta.



Vianmääritys

Yleisissä vianmäärityskysymyksissä, kuten: musta näyttö, ei ääntä, jähmettynyt kuva, TV ei reagoi tai verkko on kadonnut, suorita seuraavat vaiheet.

- 1 Käynnistä TV uudelleen pitämällä kaukosäätimen virtapainiketta alhaalla noin viisi sekuntia. TV käynnistyy uudelleen. Jos televisio ei ala toimia, kokeile irrottamalla virtajohto. Paina tämän jälkeen television virtapainiketta ja vapauta se. Odota kaksi minuuttia ja kytke verkkovirtajohto pistorasiaan.
- 2 Lisätietoja apuvalikosta painamalla **HELP** kaukosäätimessä.
- 3 Yhdistä TV:si Internetiin ja suorita ohjelmistopäivitys. Sony suosittelee pitämään TV:n ohjelmiston päivitettyinä. Ohjelmistopäivitykset antavat uusia ominaisuuksia ja parantavat suoritusnopeutta.
- 4 Käy Sonyn tukisivustolla (tiedot löytyvät tämän opaskirjan lopusta).

Kun kytket TV:n verkkovirtaan, TV ei välttämättä kytkeydy heti päälle vaikka painaisit virtapainiketta kaukosäätimestä tai TV:stä.

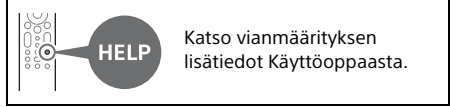
Järjestelmän alustaminen vie aikaa. Odota noin minuutti ja yritä sitten uudelleen.

Kaukosäädin ei toimi.

- Vaihda paristot.

Lapsilukon salasana on unohtunut.

- Kirjoita ensin PIN-koodi 9999 ja anna sitten uusi PIN-koodi.



Katso vianmäärityksen lisätiedot Käyttöoppaasta.

Tekniset tiedot

Järjestelmä

Näyttöpaneeli: LCD-paneeli, LED-taustavalo

TV-järjestelmä: Maa-/aluevalinnasta/
TV-mallista riippuen

Analoginen: B/G, D/K, I

Digitaalinen: DVB-T/DVB-C/DVB-T2*1

Satelliitti*1: DVB-S/DVB-S2

Värijärjestelmä: PAL/SECAM/NTSC3.58 (Vain video)/NTSC4.43 (Vain video)

Kanavien näkyvyysalue: Maa-/aluevalinnasta/
TV-mallista riippuen

Analoginen: UHF/VHF/johto

Digitaalinen: UHF/VHF/johto

Satelliitti*1: IF-taajuus 950-2 150 MHz

Äänentoisto: 12,5 W + 12,5 W + 12,5 W + 12,5 W +
5 W + 5 W

Langaton teknologia

Protokolla IEEE 802.11a/b/g/n/ac

Bluetooth® versio 4.2

Taajuuskaista(t)

Taajuusalue	Lähtöteho
Langaton LAN (Televisio)	
2 400-2 483,5 MHz	< 20,0 dBm
5 150-5 250 MHz	< 23,0 dBm
5 250-5 350 MHz	< 20,0 dBm
5 470-5 725 MHz	< 20,0 dBm
5 725-5 850 MHz	< 13,9 dBm
Bluetooth® (Televisio)	
2 400-2 483,5 MHz	< 10,0 dBm
Bluetooth® (Kaukosäädin)	
2 400-2 483,5 MHz	< 10,0 dBm

Tulo-/lähtöliitännät

Antenni/kaapeli

75 ohmin ulkoinen liitäntä VHF/UHF-liittimelle

Satelliittiantenni*1

Naaraspuolinen F-tyyppin liitin, 75 ohmia.
DiSEqC 1.0, LNB 13 V/18 V & 22 kHz ohjaus,
Yhden kaapelin jakelu EN50494.

AV IN

Video/Audio-tulo (miniliitäntä)

HDMI IN 1/2/3/4 (HDCP 2.3 -yhteensopiva)

Video:

4096 × 2160p (50, 60 Hz)*2*3, 4096 × 2160p
(24 Hz)*2, 3840 × 2160p (50, 60 Hz)*3,
3840 × 2160p (24, 25, 30 Hz), 1080p (30, 50,
60, 100, 120 Hz), 1080/24p, 1080i (50, 60 Hz),
720p (30, 50, 60 Hz), 720/24p, 576p, 480p,
PC-muodot*4
7680 × 4320p (24, 25, 30, 50, 60 Hz)*4*5,
3840 × 2160p (100, 120 Hz)*4*5

Audio:

eARC (Enhanced Audio Return Channel)-
tilassa

Katso lisätietoja Käyttöoppaasta.

Muussa kuin eARC-tilassa

5,1.-kanavainen lineaarinen PCM: 32/44,1/
48/88,2/96/176,4/192 kHz 16/20/24 bittiä,
Dolby Audio, Dolby Atmos, DTS

eARC/ARC (Enhanced Audio Return Channel/ Audio Return Channel) (Vain HDMI IN 3)*6

eARC-tilassa

Katso lisätietoja Käyttöoppaasta.

ARC-tilassa

Kaksikanavainen lineaarinen PCM: 48 kHz
16 bittiä, Dolby Audio, Dolby Atmos, DTS

DIGITAL AUDIO OUT (OPTICAL)

Optinen digitaaliliitäntä (kaksikanavainen
lineaarinen PCM: 48 kHz 16 bittiä, Dolby Audio,
DTS)

(stereominiliitin)

Kuulokkeet

1, 2, 3 (HDD REC)*7

USB-laiteportti (3 USB-kiintolevy
REC-toimintoa varten)

USB-liitäntä 1 ja 2 tukevat nopeaa USB:tä
(USB 2.0)

USB-liitäntä 3 tukee supernopeaa USB:tä
(USB 3.1 Gen 1)



Maksu-TV-moduuli (CAM) paikka



LAN

10BASE-T/100BASE-TX-liitäntä (Yhteysnopeus
voi vaihdella verkon käyttöympäristön
mukaan. Tiedonsiirtonopeutta ja laatua ei
taata.)

CENTER SPEAKER IN

Keskikaiuttimen tulo (naparuuvi)

Teho, tuoteseloste ja muuta

Tehovaatimukset

220 V - 240 V AC, 50 Hz

Energiatehokkuusluokka

KD-85ZH8: C

KD-75ZH8: C

Näytön koko (halkaisija) (Noin)

KD-85ZH8: 214,8 cm / 85 tuumaa

KD-75ZH8: 189,3 cm / 75 tuumaa

Virrankulutus

[Vakio]-tilassa

KD-85ZH8: 487 W

KD-75ZH8: 361 W

[Kirkas]-tilassa

KD-85ZH8: 815 W

KD-75ZH8: 590 W

Vuosittainen energiankulutus*8

KD-85ZH8: 675 kWh/vuosi

KD-75ZH8: 501 kWh/vuosi

Virrankulutus valmiustilassa*9*10

KD-85ZH8: 0,50 W (63 W ohjelmiston/
elektronisen ohjelmaoppaan päivitystilassa)

KD-75ZH8: 0,50 W (52 W ohjelmiston/
elektronisen ohjelmaoppaan päivitystilassa)

Näytön erottelutarkkuus

7 680 pistettä (vaaka) × 4 320 juovaa (pysty)

Ulostuloarvot

USB 1/2

Maks. 5 V ---, 500 mA

USB 3

Maks. 5 V ---, 900 mA

Mitat (Noin) (l × k × s) (cm)

pöytäjalustan kanssa

Vakioasento:

KD-85ZH8: 192,0 × 111,7 × 42,8

KD-75ZH8: 169,6 × 98,6 × 35,6

Kapea-asento:

KD-85ZH8: 190,4 × 112,0 × 42,8

KD-75ZH8: 168,0 × 98,9 × 35,6

ilman pöytäjalustaa

KD-85ZH8: 190,4 × 110,9 × 8,4

KD-75ZH8: 168,0 × 97,7 × 8,4

Jalustan leveys (Noin) (cm)

Vakioasento:

KD-85ZH8: 192,0

KD-75ZH8: 169,6

Kapea-asento:

KD-85ZH8: 86,5

KD-75ZH8: 62,3

Paino (Noin) (kg)

pöytäjalustan kanssa

Vakioasento:

KD-85ZH8: 67,8

KD-75ZH8: 49,9

Kapea-asento:

KD-85ZH8: 67,3

KD-75ZH8: 49,4

ilman pöytäjalustaa

KD-85ZH8: 65,6

KD-75ZH8: 47,9

Muita tietoja

Lisävarusteet

Seinäasennuskiinnitin: SU-WL450

Käyttölämpötila: 0 °C – 40 °C

Käyttökosteus: 10 % – 80 % RH (ei-kondensoiva)

*1 Kaikissa TV:issä ei ole DVB-T2- tai DVB-S/S2-
tekniikkaa tai satelliittiantenniiliitintä.

*2 Kun lähteen resoluutio on 4096 × 2160p ja
[Laaja tila] -asetus on [Normaali], näytettävä
resoluutio on 3840 × 2160p. Jos haluat resoluutioksi
4096 × 2160p, aseta [Laaja tila] -asetukseksi
[Koko kuva 1] tai [Koko kuva 2].

*3 Jos haluat 18 Gbps:n tuen, aseta
[HDMI-signaalinuoto] -asetukseksi Vahvistettu
muoto.

*4 Katso lisätiedot verkkokäyttöoppaasta.

*5 Vain HDMI IN 4.

*6 Liitä äänijärjestelmä HDMI IN 3 -liitäntään, jos haluat
kuulla TV:n äänen äänijärjestelmän kautta.

*7 Vain rajoitetuilla alueilla/maissa/TV-malleissa.

*8 Vuosittainen energiankulutus (kWh), joka perustuu
television 4 tunnin päivittäiseen käyttöön
365 päivänä vuodessa. Todellinen energiankulutus
riippuu siitä, miten televisiota käytetään.

*9 Mainittu valmiustilan virrankulutus on voimassa sen
jälkeen, kun televisio on suorittanut välttämättömät
sisäiset toimenpiteet.

*10 Valmiustilan virrankulutus kasvaa, kun televisio on
yhdistetty verkkoon.

Huomautus

- Lisävarusteiden saatavuus riippuu maasta/alueesta/
television mallista/varustolanteesta.
- Rakennetta ja teknisiä tietoja saatetaan muuttaa siitä
erikseen ilmoittamatta.
- Google Assistantin käyttö voi edellyttää palveluiden
ja sovellusten tilaamista, minkä lisäksi sen käyttöön
voi liittyä lisaehtoja ja/tai lisämaksuja.

Digitaalisen television toimintaan liittyviä huomautuksia

- Digi-TV (DVB antennin, satelliitin tai kaapelin
kautta), vuorovaikutteiset palvelut ja
verkkotoiminnot eivät välttämättä ole
käytettävissä kaikissa maissa tai kaikilla
alueilla. Jotkut toiminnot eivät ehkä ole
käytössä tai eivät toimi oikein joidenkin
palveluntarjoajien ja verkkoypäristöjen
kanssa. Jotkut TV-palveluntarjoajat saattavat
veloittaa maksun palveluistaan.
- Tämä TV tukee digitaali lähetyksiä, joissa
käytetään MPEG-2-, H.264/MPEG-4 AVC- ja
H.265/HEVC-koodekkeja, mutta emme voi
taata yhteensopivuutta kaikkien operaattori-/
palvelusignaalien kanssa, koska ne voivat
muuttua ajan myötä.

Tuotemerkit

- Termit HDMI ja HDMI High-Definition
Multimedia Interface ja HDMI-logo ovat HDMI
Licensing Administrator, Inc.:n tavaramerkkejä
tai rekisteröityjä tavaramerkkejä
Yhdysvalloissa ja muissa maissa.
- Dolby, Dolby Vision, Dolby Atmos, Dolby
Audio ja kaksois-D-symboli ovat Dolby
Laboratories tavaramerkkejä. Valmistettu
Dolby Laboratories myöntämällä lisenssillä.
Luottamuksellisia julkaisemattomia teoksia.
Copyright © 2012-2018 Dolby Laboratories.
Kaikki oikeudet pidätetään.
- Gracenote, Gracenote-logo ja -logotyyppi ja
"Powered by Gracenote" -logo ovat joko
Gracenote, Inc.:n tavaramerkkejä tai
rekisteröityjä tavaramerkkejä Yhdysvalloissa
ja/tai muissa maissa.
- Google, Google Play, Chromecast, YouTube,
Android TV ja muut niihin liittyvät merkit ja
logot ovat Google LLC:n tavaramerkkejä.

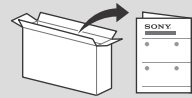
- DTS-patentit, ks. <http://patents.dts.com>. Valmistettu DTS, Inc.in lisenssillä. DTS, symboli, DTS ja symboli yhdessä sekä Digital Surround ovat DTS, Inc.:n Yhdysvalloissa ja/tai muissa maissa rekisteröityjä tavaramerkkejä tai tavaramerkkejä. © DTS, Inc. Kaikki oikeudet pidätetään.
- Netflix on Netflix Inc rekisteröimä tavaramerkki.
- DiSEqC™ on EUTELSATin tavaramerkki. Tässä televisiossa on DiSEqC 1.0 -tuki. Tätä televisiosta ei ole tarkoitettu moottorikäyttöisten antennien ohjaukseen.
- TUXERA on Tuxera Inc.:n rekisteröity tavaramerkki Yhdysvalloissa ja muissa maissa.
- Kaikki muut tavaramerkit ovat omistajiensa omaisuutta.

Om håndbøker

Denne TV-en leveres med følgende håndbøker. Vennligst behold håndbøkene for fremtidig referanse.

Innstillingsveiledning

- TV-installasjon og oppsett.



Referanseveiledning (denne håndboken) / sikkerhetsdokumentasjon

- Sikkerhetsinformasjon, fjernkontroll, feilsøking, veggmontering, spesifikasjon, og så videre.



Hjelpeveiledning (håndbok på skjermen)

- Innstillinger, Android TV-funksjoner, internett-tilkobling, feilsøking, og så videre.
- For å åpne den, trykk på **HELP**-knappen på fjernkontrollen og velg Hjelpeveiledning.



- Du kan se hjelpeveiledningen med en smarttelefon.



https://rd1.sony.net/help/tv/haep1/h_aep/

VIKTIG – Les lisensavtalen for sluttbrukerprogramvare før du bruker Sony-produktet ditt. Ved å bruke produktet ditt indikerer at du aksepterer lisensavtalen for sluttbrukerprogramvare. Lisensavtalen for programvare mellom deg og Sony er tilgjengelig online på Sonys hjemmeside (<http://www.sony.net/tv-software-licenses/>) eller på produktskjermbildet. Gå til [Innstillinger] → [Enhetsinnstillinger] → [Info] → [Juridisk informasjon] → [Merknader og lisenser].

Merknader

- Før du bruker TV-en, vær vennlig å lese "Sikkerhetsinformasjon".
- Les den medfølgende sikkerhetsdokumentasjonen for ytterligere sikkerhetsinformasjon.
- Bilder og illustrasjoner som brukes i installasjonsveiledningen og i denne håndboken, er kun ment som referanse, og kan avvike fra produktets faktiske utseende.
- "xx"-en som vises i modellnavnet korresponderer til et tall, som er knyttet til design, farge eller TV-system.

Plassering av identifikasjonsmerket

Etiketter med modellnr., produksjonsdato (år/måned) og strømforsyningsområde er plassert på baksiden av TV-en eller esken. Disse finner du ved å fjerne terminaldekslet.



VIKTIG MERKNAD

Merknad for radioutstyr

Herved erklærer Sony Corporation at radioutstyrstypene KD-85ZH8, KD-75ZH8 er i samsvar med direktiv 2014/53/EU. EU-erklæring fulltekst finner du på Internett under: <http://www.compliance.sony.eu/>

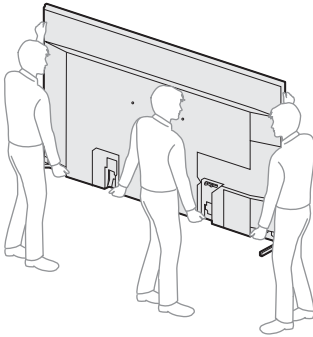
Merknad for kunder: Følgende informasjon gjelder kun for utstyr som er solgt i land som anvender EU-direktivene.

For dette radioutstyret gjelder følgende begrensninger for bruk eller krav for autorisering av bruk i AT, BE, HR, CY, CZ, DK, EE, FI, FR, DE, EL, HU, IE, IT, LV, LT, LU, MT, NL, PL, PT, SK, SI, ES, SE, UK, IS, LI, NO, CH, BG, RO, TR, AL, BA, MK, MD, RS, ME, Kosovo : 5150 - 5350 MHz-båndet skal bare benyttes for innendørs bruk.

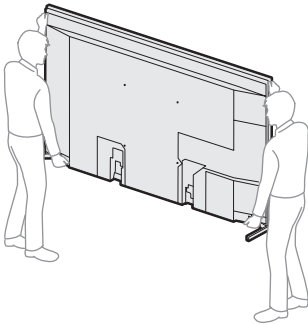
Bæring

- Før du bærer TV-apparatet, må du koble fra alle kablene.
- Et stort TV-apparat må bæres av to eller flere personer (tre eller flere for KD-85ZH8).
- Når du transporterer TV-en for hånd, må du holde den som vist under. Ikke utsett LCD-skjermen og rammen rundt for press-belastning.

KD-85ZH8

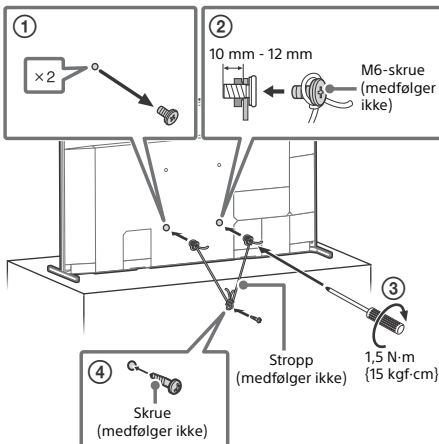


KD-75ZH8

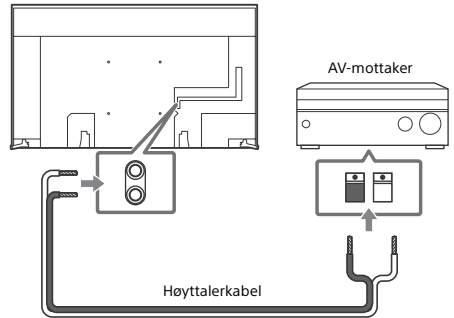


- Ikke utsett TV-apparatet for støt eller sterke vibrasjoner når du flytter det.
- Når du leverer inn TV-apparatet på grunn av reparasjon eller hvis du flytter, bør du transportere det i originalemballasjen.

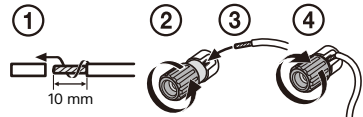
Tippforebygging



Bruke TV-en som senterhøytaler



- Før du kobler til kabler, koble fra hovedledningen til både TV-en og AV-mottakeren.
- Sørg for at [Høytaler] er satt til [Lydsystem].

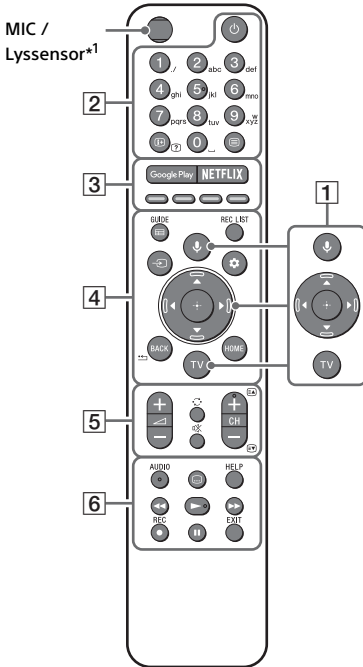


For å forhindre hvesing når du ikke kobler CENTER SPEAKER IN til en AV-mottaker, deaktiver [Modusen TV-senterhøytaler]. For detaljer, se hjelpeveiledningen.

NO

Fjernkontroll og TV

Utformingen av fjernkontrollen, plasseringen, tilgjengeligheten og funksjonen til knappene på fjernkontrollen kan variere avhengig av regionen/landet/TV-modellen.



- 1 **Mikrofon**: Bruk Google Assistant*2*3 eller talesøk*3. For hint om hvordan du kontrollerer TV-en, trykk på knappen (Mikrofon) og uttal uttrykket "tips stemmestyring".*2
▲/▼/◀/▶/⊕: Meny på skjermen for navigasjon og valg.
TV: Vis TV-kanalliste eller bytt til inngang.
- 2 **TV hvilemodus**
Nummerknapper
 (Info/vis tekst): Vis informasjon.
 (Tekst): Vis tekstinformasjon.
- 3 **Google Play / NETFLIX*2 / Fargeknapper**
- 4 **GUIDE**: Vis den digitale programguiden til TV-en eller TV-dekoderen*2*4.

REC LIST: Vis anbefalingslisten for USB HDD/DVR*4.

(Valg av innhold): Vis og velg inngangskilden osv.

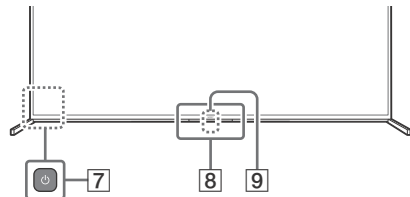
(Hurtiginnstillinger): Vis hurtiginnstillinger.

BACK

HOME

- 5 **+/- (Volum)**
 (Hopp)
 (Demp)*5
CH +/- : Velg kanal, eller neste / forrige side.
- 6 **AUDIO**: Velg lyd for flerspråklig kilde eller flerspråklig lyd (avhengig av programkilden).
 (Teksting-innstilling)
HELP: Vis Hjelp-menyen.

● **REC**: Ta opp programmet som vises på USB HDD/DVR*4.
EXIT



- 7 **Strøm**
- 8 **Fjernkontroll-sensor / Lyssensor / LED*6**
- 9 **Innebygd mikrofon*2*3*7**: For å aktivere den innebygde mikrofonen trykkes (Mikrofon)-knappen på fjernkontrollen og instruksjonen på skjermen følges.

*1 Fjernkontrollens baklys tennes når lyssensoren oppdager at omgivelseslyset er dempet. Baklysets automatiske belysning kan slås av.

*2 Kun for begrensede regioner/land/TV-modeller/språk.

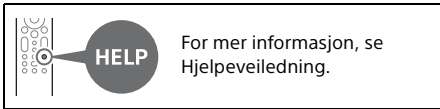
*3 Google Assistant eller talesøk krever en internettilkobling.

*4 [Oppsett av TV-dekoder] innstilling er påkrevet.

*5 Snarvei for tilgjengelighet er tilgjengelig ved å trykke og holde inne (Demp).

*6 LED-lampen til den innebygde mikrofonen er også inkludert.

*7 Strømforbruk i standby øker fordi den innebygde mikrofonen alltid lytter når den er aktivert.



Montere TV-en på veggen

Bruke den ekstra Veggmonteringsbraketten (SU-WL450)* (medfølger ikke)

Til kunder:

Av hensyn til produktets beskyttelse og sikkerheten, anbefaler Sony sterkt at TV-en installeres av Sony-forhandlere eller autoriserte montører. Ikke forsøk å installere den selv.

Til Sony-forhandlere og -montører:

Legg spesielt merke til sikkerheten under installasjonen, periodisk vedlikehold og ved undersøkelse av dette produktet.

Informasjon om installasjon av Veggmonteringsbraketten

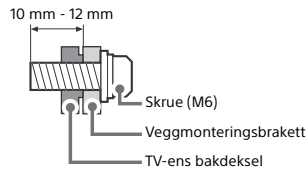
Denne TV-bruksanvisningen viser bare trinnene for å klargjøre TV-en for veggmontering før den monteres på veggen. For instruksjoner om montering av Veggmonteringsbrakett, se monteringsinformasjon (Veggmonteringsbrakett) på produktsiden for din TV-modell.
<https://www.sony.eu/support>

Forberede veggmontering

Husk å feste bordstativ før du installerer TV-en på veggen ved å henvise til Innstillingsveiledning.

- Gjør TV-en klar for Veggmonteringsbraketten før du kobler til kabler.
- Følg instruksjonsveiledningen som fulgte med Veggmonteringsbraketten for modellen din. Tilstrekkelig ekspertise er nødvendig for å montere denne TV-en, spesielt for å fastslå at veggen kan bære TV-ens vekt.
- Overlat monteringen av dette produktet til Sony-forhandlere eller autoriserte montører, og vær spesielt oppmerksom på sikkerheten under installasjon. Sony er ikke ansvarlig for eventuell skade eller personskafe forårsaket av feil behandling eller installasjon.
- Skruene for Veggmonteringsbraketten medfølger ikke.

- Kun kvalifisert servicepersonell skal utføre eventuell installasjon av veggbraketter.
- Av sikkerhetsgrunner anbefales det på det sterkeste at du bruker tilleggsutstyr fra Sony som omfatter:
 - Veggmonteringsbrakett SU-WL450
- Sørg for at du bruker skruene som følger med Veggmonteringsbraketten når du fester Veggmonteringsbraketten til TV-en. De medfølgende skruene er utformet som vist på illustrasjonen målt fra monteringsoverflaten til Veggmonteringsbraketten. Skruenes diameter og lengde varierer ut fra Veggmonteringsbrakettens modell. Hvis du bruker andre skruer enn de som følger med, kan TV-apparatet bli skadet innvendig eller det kan falle ned osv.

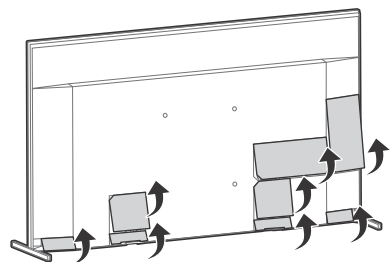


- Oppbevar skruer som ikke brukes samt bordstativet på et trygt sted inntil du er klar til å feste bordstativet. Oppbevar skruene unna små barn.

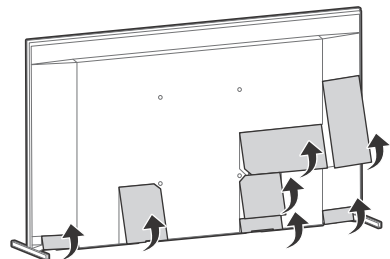
* Kun i begrenset region/land/TV-modell.

1 Fjern terminaldekslene.

KD-85ZH8

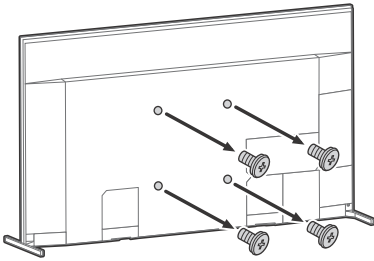


KD-75ZH8



NO

2 Fjern skruene fra baksiden av TV-en.



Feilsøking

Generell feilsøking for problemer som: svart skjerm, ingen lyd, frosset bilde, TV reagerer ikke, eller nettverk mistet, utfør følgende steg.

- 1 Start TV-en din på nytt ved å holde nede strømknappen på fjernkontrollen i cirka fem sekunder. TV-en vil starte på nytt. Hvis TV-en ikke starter, prøv å trekke ut strømledningen. Trykk deretter på strømknappen på TV-en og slipp den. Vent i to minutter, og sett i strømledningen.
- 2 Se Hjelpmenyen ved å trykke **HELP** på fjernkontrollen.
- 3 Koble TV-en din til internett og utfør en programvareoppdatering. Sony anbefaler at du holder TV-ens programvare oppdatert. Programvareoppdateringer gir nye funksjoner og bedre ytelse.
- 4 Gå til Sonys supportnettside (informasjon oppgitt bakerst i denne håndboken).

Når du kobler til TV-en kan det hende at den ikke er i stand til å slå seg på på en stund selv om du trykker på strømknappen på fjernkontrollen eller TV-en.

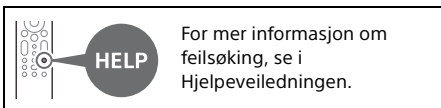
Det tar tid å starte opp systemet. Vent omtrent ett minutt, og prøv deretter igjen.

Fjernkontrollen virker ikke.

- Skift batteriene.

Passordet for foreldrelåsen er glemt.

- Skriv inn 9999 for PIN-koden, og skriv deretter den nye PIN-koden.



Spesifikasjoner

System

Skjermssystem: LCD (Liquid Crystal Display = skjerm med flytende krystaller), LED-baklyst

TV-system: Avhengig av land/område valg/
TV-modell

Analog: B/G, D/K, I

Digital: DVB-T/DVB-C/DVB-T2*1

Satellitt*1: DVB-S/DVB-S2

Fargesystem: PAL/SECAM/NTSC3.58 (Kun video)/NTSC4.43 (Kun video)

Kanaldekning: Avhengig av land/område valg/
TV-modell

Analog: UHF/VHF/kabel

Digital: UHF/VHF/kabel

Satellitt*1: IF-frekvens 950-2150 MHz

Lydutgang: 12,5 W + 12,5 W + 12,5 W + 12,5 W +
5 W + 5 W

Trådløs teknologi

Protokoll IEEE 802.11a/b/g/n/ac

Bluetooth® versjon 4.2

Frekvensbånd

Frekvensbånd	Utgangseffekt
Trådløst LAN (TV)	
2400-2483,5 MHz	< 20,0 dBm
5150-5250 MHz	< 23,0 dBm
5250-5350 MHz	< 20,0 dBm
5470-5725 MHz	< 20,0 dBm
5725-5850 MHz	< 13,9 dBm
Bluetooth® (TV)	
2400-2483,5 MHz	< 10,0 dBm
Bluetooth® (Fjernkontroll)	
2400-2483,5 MHz	< 10,0 dBm

Inngangs-/utgangskontakter

Antenne/kabel

75 ohm ekstern terminal for VHF/UHF

Satellittmottaker*1

Hunn F-kontakt, 75 ohm.

DiSEqC 1.0, LNB 13 V/18 V og 22 kHz tone,

Distribusjon med én kabel EN50494.

↔ / ↔ AV IN

Video-/lydinngang (minijack)

HDMI IN 1/2/3/4 (HDCP 2.3-kompatibel)

Video:

4096 × 2160p (50, 60 Hz)^{*2*3}, 4096 × 2160p (24 Hz)^{*2}, 3840 × 2160p (50, 60 Hz)^{*3}, 3840 × 2160p (24, 25, 30 Hz), 1080p (30, 50, 60, 100, 120 Hz), 1080i (50, 60 Hz), 720p (30, 50, 60 Hz), 720i (50, 60 Hz), PC-formater^{*4}
7680 × 4320p (24, 25, 30, 50, 60 Hz)^{*4*5}, 3840 × 2160p (100, 120 Hz)^{*4*5}

Lyd:

I eARC (Enhanced Audio Return Channel)-modus

Se Hjelpveiledning for nærmere informasjoner.

Unntatt eARC-modus

5,1 kanal lineær PCM: 32/44,1/48/88,2/96/176,4/192 kHz 16/20/24 biter, Dolby Audio, Dolby Atmos, DTS

eARC/ARC (Enhanced Audio Return Channel/Audio Return Channel) (Kun HDMI IN 3)^{*6}

I eARC-modus

Se Hjelpveiledning for nærmere informasjoner.

I ARC-modus

Tokanals lineær PCM: 48 kHz 16 biter, Dolby Audio, Dolby Atmos, DTS

↻ DIGITAL AUDIO OUT (OPTICAL)

Digital optisk kontakt (tokanals lineær PCM: 48 kHz 16 biter, Dolby Audio, DTS)

📞 (minijack, stereo)

Hodetelefon

➡️ 1, ➡️ 2, ➡️ 3 (HDD REC)^{*7}

USB-enhetsport (➡️ 3 USB HDD-enhet for REC-funksjon)

USB-port 1 og 2 støtter høyhastighets USB (USB 2.0)

USB-port 3 støtter superrask USB (USB 3.1 Gen 1)



CAM-spør (Conditional Access Module)



10BASE-T/100BASE-TX-kontakt (Tilkoblingshastigheten kan variere avhengig av driftsmiljøet til nettverket.)

Kommunikasjonshastighet og kvalitet garanteres ikke.)

CENTER SPEAKER IN

Inngang for midtre høyttaler (kontaktforbindelse)

Strøm, produktmikrokort og annet

Strømkrav

220 V - 240 V vekselstrøm, 50 Hz

Energieffektivitetsklasse

KD-85ZH8: C

KD-75ZH8: C

Skjermstørrelse (målt diagonalt) (ca.)

KD-85ZH8: 214,8 cm / 85 tommer

KD-75ZH8: 189,3 cm / 75 tommer

Strømforbruk

I [Standard]-modus

KD-85ZH8: 487 W

KD-75ZH8: 361 W

I [Dynamisk]-modus

KD-85ZH8: 815 W

KD-75ZH8: 590 W

Årlig energiforbruk^{*8}

KD-85ZH8: 675 kWh per år

KD-75ZH8: 501 kWh per år

Strømforbruk i hvilemodus^{*9*10}

KD-85ZH8: 0,50 W (63 W i programvare-/

EPG-oppdateringsmodus)

KD-75ZH8: 0,50 W (52 W i programvare-/

EPG-oppdateringsmodus)

Skjermoppløsning

7680 punkter (horisontalt) × 4320 linjer (vertikalt)

Nominell effekt

USB 1/2

5 V ---, 500 mA MAKS.

USB 3

5 V ---, 900 mA MAKS.

Mål (ca.) (b × h × d) (cm)

med bordstativ

Standardplassering:

KD-85ZH8: 192,0 × 111,7 × 42,8

KD-75ZH8: 169,6 × 98,6 × 35,6

Snever plassering:

KD-85ZH8: 190,4 × 112,0 × 42,8

KD-75ZH8: 168,0 × 98,9 × 35,6

uten bordstativ

KD-85ZH8: 190,4 × 110,9 × 8,4

KD-75ZH8: 168,0 × 97,7 × 8,4

Stativbredde (ca.) (cm)

Standardplassering:

KD-85ZH8: 192,0

KD-75ZH8: 169,6

Snever plassering:

KD-85ZH8: 86,5

KD-75ZH8: 62,3

NO

Vekt (ca.) (kg)

med bordstativ

Standardplassering:

KD-85ZH8: 67,8

KD-75ZH8: 49,9

Snever plassering:

KD-85ZH8: 67,3

KD-75ZH8: 49,4

uten bordstativ

KD-85ZH8: 65,6

KD-75ZH8: 47,9

Annet

Tilleggsstyr

Veggmonteringsbrakett: SU-WL450

Driftstemperatur: 0 °C – 40 °C

Driftsluftfuktighet: 10 % – 80 % relativ fuktighet (ikke-kondenserende)

- *1 Ikke alle TV-apparater har DVB-T2-, eller DVB-S- / S2-teknologi eller satellittantenneterminal.
- *2 Når det tilføres 4096 × 2160p på inngangen og [Bred modus] er innstilt på [Normal], vil oppløsningen vises som 3840 × 2160p. For å vise 4096 × 2160p, settes [Bred modus] innstillingen på [Full 1] eller [Full 2].
- *3 For å støtte 18 Gbps innstilles [HDMI-signalformat] til Forbedret format.
- *4 Se Hjelpeveiledningen på nettet for mer informasjon.
- *5 Kun HDMI IN 4.
- *6 Koble lydsystemet ditt til HDMI IN 3 for å tilføre TV-lyd til lydsystemet.
- *7 Kun i begrenset region/land/TV-modell.
- *8 Energiforbruk i kWh per år, basert på TV-ens strømforbruk når den brukes 4 timer om dagen i 365 dager. Det faktiske energiforbruket vil avhenge av hvordan fjernsynet brukes.
- *9 Spesifisert strømforbruk i hvilemodus nås etter at TV-en har avsluttet nødvendige interne prosesser.
- *10 Strømforbruk i hvilemodus vil øke når TV-en er koblet til nettverket.

Merknader

- Tilgjengeligheten til tilleggsstyr avhenger av land/region/TV-modell/lagerstatus.
- Design og spesifikasjoner kan endres uten varsel.
- Når du bruker Google Assistant kan det være nødvendig med abonnement på tjenester og applikasjoner. Tilleggsvilkår, betingelser og/eller gebyrer kan gjelde.

Merknader til digital TV-funksjon

- Digital-TV (DVB bakke, satellitt og kabel), interaktive tjenester og nettverksfunksjoner vil kanskje ikke være tilgjengelige i alle land eller regioner. Noen funksjoner er muligens ikke aktivert eller vil kanskje ikke virke korrekt hos noen leverandører og i noen nettverksmiljøer. Noen TV-tjenesteleverandører vil kunne kreve gebyr for tjenestene sine.

- Denne TV-en støtter digital kringkasting med kodekene MPEG-2, H.264/MPEG-4 AVC og H.265/HEVC, men kompatibilitet kan ikke garanteres med alle operatører/tjenestesignaler, da de disse vil kunne endres med tiden.

Varemerker

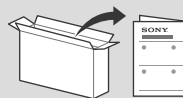
- Uttrykkene HDMI og HDMI High-Definition Multimedia Interface, og HDMI-logoen, er varemerker eller registrerte varemerker som tilhører HDMI Licensing Administrator, Inc. i USA og andre land.
- Dolby, Dolby Vision, Dolby Atmos, Dolby Audio og dobbelt-D symbolet er varemerker som tilhører Dolby Laboratories. Produsert på lisens fra Dolby Laboratories. Konfidensielt og upublisert arbeid. Opphavsrett © 2012-2018 Dolby Laboratories. Alle rettigheter forbeholdes.
- Gracenote, Gracenote-logoen og logoens skrift, og "Powered by Gracenote"-logoen er enten registrerte varemerker eller varemerker for Gracenote, Inc. i USA og/eller andre land.
- Google, Google Play, Chromecast, YouTube, Android TV og andre relaterte merker og logoer er varemerker tilhørende Google LLC.
- For DTS-patenter, se <http://patents.dts.com>. Fremstilt under lisens fra DTS, Inc. DTS, symbolet, DTS og symbolet sammen, og Digital Surround er registrerte varemerker eller varemerker for DTS, Inc. i USA og/eller andre land. © DTS, Inc. Alle rettigheter forbeholdes.
- Netflix er et registrert varemerke for Netflix, Inc.
- DiSEqC™ er et varemerke for EUTELSAT. Denne TV-en støtter DiSEqC 1.0. Denne TV-en er ikke ment for å kontrollere motoriserte antenner.
- TUXERA er et registrert varemerke for Tuxera Inc. i USA og andre land.
- Alle andre varemerker eies av de respektive eierne.

Informacje o instrukcjach

Ten telewizor jest dostarczany z następującymi instrukcjami. Prosimy o zachowanie instrukcji do wykorzystania w przyszłości.

Przewodnik ustawień

- Instalacja i konfiguracja telewizora.



Przewodnik (ta instrukcja) / Dokumentacja bezpieczeństwa

- Informacje dotyczące bezpieczeństwa, pilot, rozwiązywanie problemów, instalacja na ścianie, dane techniczne itp.



Przewodnik pomocniczy (Instrukcja ekranowa)

- Ustawienia, funkcje Android TV, połączenie z Internetem, rozwiązywanie problemów itp.
- Aby ją otworzyć, naciśnij na pilocie przycisk **HELP**, a następnie wybierz Przewodnik pomocniczy.



- Możesz skorzystać z Przewodnika pomocniczego za pomocą smartfona.



https://rd1.sony.net/help/tv/haep1/h_aep/

WAŻNE – Przed użyciem produktu Sony przeczytaj Umowę licencyjną oprogramowania użytkownika końcowego.

Korzystanie z produktu oznacza akceptację Umowy licencyjnej oprogramowania użytkownika końcowego. Umowa licencyjna na oprogramowanie między Tobą a Sony jest dostępna online na stronie Sony (<http://www.sony.net/tv-software-licenses/>) lub na ekranie produktu. Przejdź do [Ustawienia] → [Ustawienia urządzenia] → [Informacje] → [Informacje prawne] → [Uwagi i licencje].

Uwaga

- Przed przystąpieniem do eksploatacji telewizora należy zapoznać się z częścią „Informacje dotyczące bezpieczeństwa”.
- Aby zapoznać się z dodatkowymi informacjami na temat bezpieczeństwa, przeczytaj dostarczoną dokumentację bezpieczeństwa.
- Zdjęcia i ilustracje użyte w Przewodniku ustawień i w tej instrukcji mają charakter jedynie poglądowy i mogą się różnić od rzeczywistego produktu.
- Znak „xx” widoczny obok nazwy modelu odpowiada wartości liczbowej powiązanej z projektem, kolorem lub systemem telewizyjnym.

Lokalizacja etykiety identyfikacyjnej

Etykiety z numerem modelu, datą produkcji (rok i miesiąc) oraz specyfikacją elektryczną znajdują się z tyłu telewizora lub opakowania. Można je znaleźć, zdejmując osłonę złączy.

WAŻNA UWAGA

Informacja dotycząca sprzętu radiowego

Sony Corporation niniejszym oświadcza, że typy urządzeń radiowych KD-85ZH8, KD-75ZH8 są zgodne z dyrektywą 2014/53/UE. Pełny tekst deklaracji zgodności UE jest dostępny pod następującym adresem internetowym: <http://www.compliance.sony.eu/>

Informacja dla klientów: poniższe informacje mają zastosowanie wyłącznie do urządzeń w krajach stosujących dyrektywę UE.

Dla tego sprzętu radiowego zastosowanie mają poniższe ograniczenia dotyczące użytkowania lub wymóg uzyskania zezwolenia na użytkowanie obowiązujący w AT, BE, HR, CY, CZ, DK, EE, FI, FR, DE, EL, HU, IE, IT, LV, LT, LU, MT, NL, PL, PT, SK, SI, ES, SE, UK, IS, LI, NO, CH, BG, RO, TR, AL, BA, MK, MD, RS, ME, Kosovo : pasmo 5 150 - 5 350 MHz jest ograniczone wyłącznie do zastosowań wewnątrz pomieszczeń.

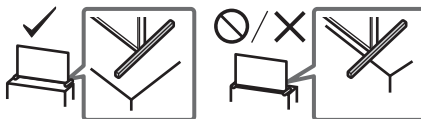
Informacje dotyczące bezpieczeństwa

Montaż i instalacja

Aby uniknąć ryzyka wybuchu pożaru, porażenia prądem elektrycznym, uszkodzenia sprzętu i/lub ewentualnych obrażeń ciała, odbiornik TV należy zainstalować zgodnie z instrukcjami podanymi poniżej.

Instalacja

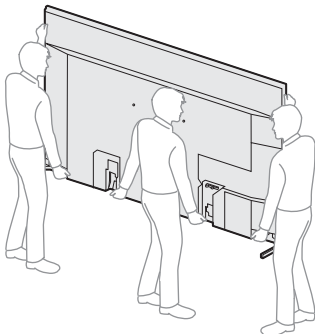
- Telewizor powinien być zainstalowany w pobliżu łatwo dostępnego gniazdka.
- Ustaw telewizor na stabilnej, równej powierzchni tak, aby zapobiec ryzyku jego przewrócenia i spowodowania obrażeń ciała lub uszkodzenia mienia.
- Zainstaluj telewizor w miejscu, w którym nie może zostać pociągnięty, popchnięty lub przewrócony.
- Zainstaluj telewizor w taki sposób, aby podstawa telewizora nie wystawała poza stojak (nie należy do wyposażenia). Jeśli podstawa telewizora wystaje poza stojak, może to spowodować przewrócenie i upadek telewizora, a w efekcie obrażenia osobiste lub uszkodzenie telewizora.



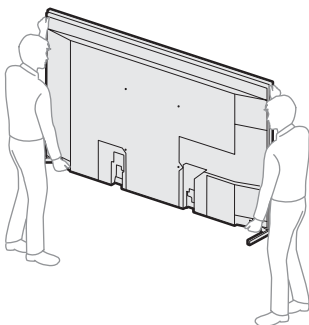
Transport

- Przed rozpoczęciem przenoszenia odbiornika należy odłączyć od niego wszystkie kable.
- Do przenoszenia dużego odbiornika TV potrzeba dwóch lub więcej osób (trzech lub więcej w przypadku KD-85ZH8).
- Przenosząc telewizor w rękach, należy go trzymać tak jak na rysunku. Nie wolno naciskać ekranu ciekłokrystalicznego ani ramy dookoła ekranu.

KD-85ZH8

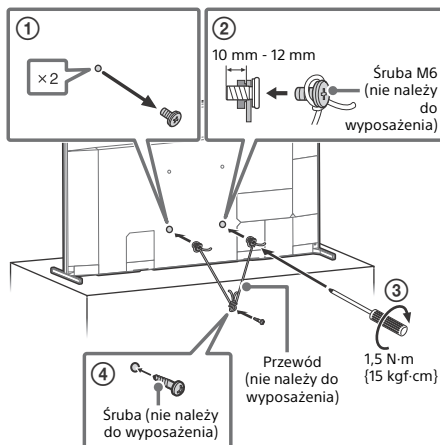


KD-75ZH8

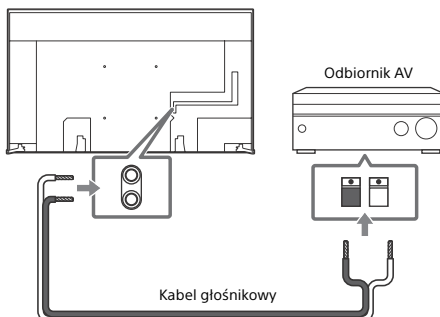


- Podczas transportu odbiornik nie powinien być narażony na wstrząsy mechaniczne i nadmierne wibracje.
- Na czas transportu odbiornika do naprawy lub podczas przeprowadzki, należy zapakować go w oryginalny karton i elementy opakowania.

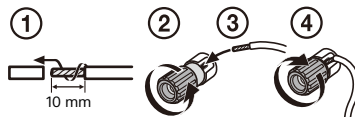
Zabezpieczenie przed przewróceniem



Używanie telewizora jako centralnego głośnika



- Przed podłączeniem kabli, odłącz zasilanie od telewizora i odbiornika AV.
- Upewnij się, że opcja [Głośnik] jest ustawiona na [System audio].

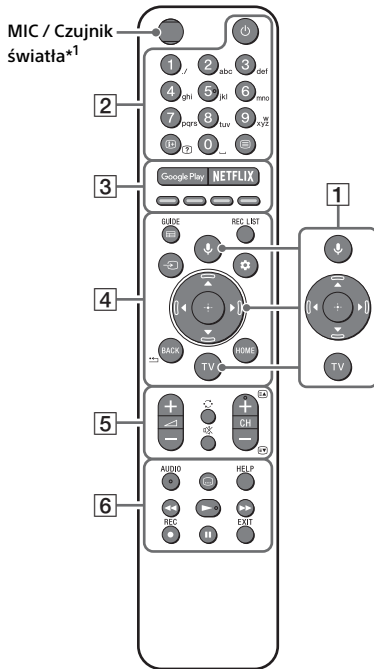


Aby zapobiec szumowi, gdy CENTER SPEAKER IN nie jest podłączony do odbiornika AV, należy wyłączyć [Tryb centralnego głośnika TV]. Dodatkowe informacje można znaleźć w Przewodniku pomocniczym.

PL

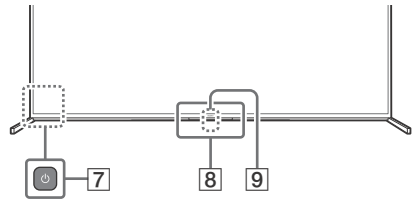
Pilot i telewizor

Kształt, rozkład, dostępność i działanie funkcji przycisków pilota mogą się różnić w zależności od regionu/kraju/modelu telewizora.



- 1** **🗣️ (Mikrofon):** Użyj Asystenta Google*2*3 lub wyszukiwania głosowego*3. Aby uzyskać wskazówki na temat sterowania telewizorem, naciśnij przycisk **🗣️ (Mikrofon)** i wypowiedz frazę „wskazówki głosowe”.*2
▲/▼/◀/▶/⊕: Nawigacja w menu ekranowym i wybór opcji.
TV: Wyświetli listę kanałów telewizyjnych lub przełączy na wejście.
- 2** **🔌 (Czuwanie)**
Przyciski numeryczne
🔍/? (Wyświetlanie informacji/tekstu): Wyświetlanie informacji.
☰ (Tekst): Wyświetlanie informacji tekstowych.
- 3** **Google Play / NETFLIX*2 / Kolorowe przyciski**

- 4** **GUIDE/📺:** Wyświetlanie cyfrowego przewodnika po programach telewizora lub dekodera TV*2*4.
REC LIST: Wyświetlanie listy nagrań urządzenia USB HDD/DVR*4.
→ **(Wybór wejścia):** Wyświetlanie i wybieranie źródła sygnału wejściowego itp.
⚙️ (Szybkie ustawienia): Wyświetlanie szybkich ustawień.
BACK/⬅️
HOME
- 5** **🔊 +/- (Głośność)**
⏪ (Przejsięcie)
⏩ (Wyciszenie)*5
CH +/-/📺/📺: Wybierz kanał, lub następną (📺) / poprzednią (📺) stronę.
- 6** **AUDIO:** Wybór dźwięku źródła wielojęzycznego lub podwójnego dźwięku (w zależności od źródła programu).
🗣️ (Tryb napisów)
HELP: Wyświetlanie menu pomocy.
⏪/▶/▶▶/⏸
● REC: Nagrywanie aktualnie oglądanego programu na dysku USB HDD/DVR*4.
EXIT

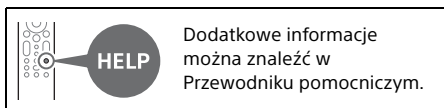


- 7** **🔌 (Włącznik)**
- 8** **Czujnik pilota zdalnego sterowania / Czujnik światła / LED*6**
- 9** **Wbudowany mikrofon*2*3*7:** Aby włączyć wbudowany mikrofon, naciśnij przycisk **🗣️ (Mikrofon)** na pilocie i wykonaj polecenia wyświetlone na ekranie.

*1 Podświetlenie pilota włączy się, gdy czujnik światła wykryje niski poziom natężenia oświetlenia otoczenia. Automatyczne włączanie podświetlenia można wyłączyć.

*2 Wyłączenie w przypadku niektórych regionów/krajów/modeli telewizora/języków.

- *3 Asystent Google lub wyszukiwanie głosowe wymaga połączenia z Internetem.
- *4 Ustawienie [Konfiguracja dekodera] jest wymagane.
- *5 Skrót dostępności jest dostępny przez naciśnięcie i przytrzymanie przycisku ⓧ (Wyciszenie).
- *6 Dołączona jest również dioda LED wbudowanego mikrofonu.
- *7 Pobór mocy w trybie czuwania wzrośnie, ponieważ po włączeniu funkcji wbudowany mikrofon będzie stale w trybie nasłuchiwania.



Montaż telewizora na ścianie

Używanie opcjonalnego Uchwyty ściennego (SU-WL450)* (nie należy do wyposażenia)

Do klientów:

Ze względu na ochronę produktu i zapewnienie bezpieczeństwa firma Sony zaleca, aby montaż tego telewizora był wykonywany przez przedstawicieli firmy Sony lub licencjonowanych wykonawców. Nie próbować wykonywać montażu samodzielnie.

Do dystrybutorów firmy Sony i licencjonowanych wykonawców:

Zwracać uwagę na bezpieczeństwo podczas montażu, konserwacji okresowej i sprawdzania tego produktu.

Informacje dotyczące montażu przy użyciu uchwyt ściennej

Instrukcja obsługi tego telewizora zawiera czynności przygotowania telewizora do zawieszenia na ścianie. Aby uzyskać instrukcje montażu Uchwyt ściennej, zobacz Informacje dotyczące montażu (Uchwyt ściennej) na stronie produktu swojego modelu telewizora.

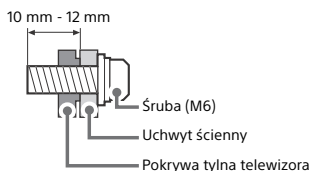
<https://www.sony.eu/support>

Przygotowanie do montażu na ścianie

Należy upewnić się, że podstawa jest dołączona przez montażem telewizor na ścianie, odnosząc się do Przewodnik ustawień.

- Przed podłączeniem przewodów należy przygotować telewizor do zamontowania Uchwyt ściennej.

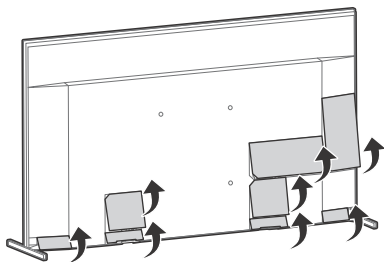
- Postępuj zgodnie z instrukcjami dostarczonymi z Uchwyt ściennej dla danego modelu. Do zamontowania tego telewizora wymagane jest odpowiednie doświadczenie, szczególnie w celu oceny, czy ściana jest odpowiednio wytrzymała, aby unieść ciężar telewizora.
- Należy powierzać montaż tego produktu na ścianie przedstawicielom firmy Sony lub licencjonowanym wykonawcom i zwracać uwagę na bezpieczeństwo podczas montażu. Firma Sony nie ponosi żadnej odpowiedzialności za uszkodzenia lub obrażenia spowodowane nieprawidłową obsługą lub montażem.
- Śruby do uchwyt ściennej nie są objęte dostawą.
- Montaż uchwyt na ścianie należy zlecić wykwalifikowanemu instalatorowi.
- Ze względów bezpieczeństwa zaleca się stosowanie akcesoriów Sony:
 - Uchwyt ściennej SU-WL450
- Podczas montażu Uchwyt ściennej do telewizora należy używać śrub dostarczonych razem z Uchwyt ściennej. Dostarczone śruby są zaprojektowane w sposób pokazany na ilustracji w przypadku pomiaru od powierzchni mocującej Uchwyt ściennej. Średnica i długość śrub różnią się w zależności od modelu Uchwyt ściennej. Stosowanie śrub innych niż dostarczane w komplecie może spowodować uszkodzenia wewnętrzne w odbiorniku TV, jego upadek, itp.



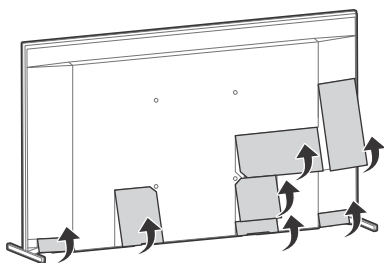
- Nieużywane śruby i podstawę należy przechowywać w bezpiecznym miejscu z przeznaczeniem do zamontowania w przyszłości. Śruby należy przechowywać poza zasięgiem dzieci.

* Wyłącznie w przypadku niektórych regionów/krajów/ modeli telewizora.

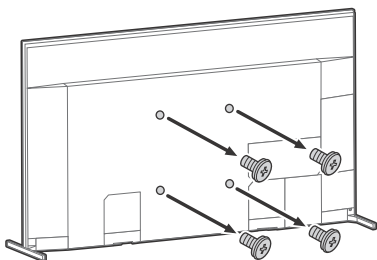
1 Zdjąć pokrywę złączy. KD-85ZH8



KD-75ZH8



2 Odkręć śruby z tylnego panelu telewizora.



Rozwiązywanie problemów

W celu rozwiązania ogólnych problemów, takich jak: czarny ekran, brak dźwięku, zawieszony obraz, brak reakcji telewizora lub utrata sygnału sieciowego, wykonaj następujące czynności.

- 1 Uruchom telewizor ponownie, naciskając przycisk zasilania na pilocie przez pięć sekund. Telewizor zostanie uruchomiony. Jeżeli telewizor nie włącza się, spróbuj odłączyć przewód zasilania sieciowego. Naciśnij przycisk zasilania na telewizorze, a następnie go zwolnij. Poczekać dwie minuty i podłącz przewód zasilający.
- 2 Zapoznaj się z menu Pomoc, naciskając przycisk **HELP** na pilocie.
- 3 Podłącz telewizor do Internetu i wykonaj aktualizację oprogramowania. Firma Sony zaleca aktualizację oprogramowania telewizora. Aktualizacje oprogramowania zawierają nowe funkcje i ulepszenia wydajności.
- 4 Odwiedź stronę wsparcia firmy Sony (informacje podane na końcu niniejszej instrukcji).

Gdy telewizor zostanie podłączony, przez pewien czas może się nie włączyć pomimo naciskania przycisku zasilania na pilocie lub telewizorze.


Uruchomienie systemu wymaga trochę czasu. Należy odczekać jedną minutę, następnie spróbować włączyć telewizor ponownie.

Pilot nie działa.

- Wymień baterie.

Zapomniano hasła do blokady rodzicielskiej.

- Wprowadź numer 9999 jako kod PIN i wprowadź nowy PIN.

	Aby uzyskać więcej informacji o rozwiązywaniu problemów, patrz Przewodnik pomocniczy.
---	---

Dane techniczne

System

System panelu: Panel z wyświetlaczem ciekłokrystalicznym (LCD), Podświetlenie LED

System TV: W zależności od kraju/wybranego regionu/modelu telewizora

Analogowy: B/G, D/K, I

Cyfrowy: DVB-T/DVB-C/DVB-T2*1

Satelita*1: DVB-S/DVB-S2

System kolorów: PAL/SECAM/NTSC3.58 (tylko wideo)/NTSC4.43 (tylko wideo)

Zakres kanałów: W zależności od kraju/wybranego regionu/modelu telewizora

Analogowy: UHF/VHF/kabel

Cyfrowy: UHF/VHF/kabel

Satelita*1: częstotliwość 950-2 150 MHz

Wyjście dźwięku: 12,5 W + 12,5 W + 12,5 W + 12,5 W + 5 W + 5 W

Technologia bezprzewodowa

Protokół IEEE 802.11a/b/g/n/ac

Bluetooth® wer. 4.2

Pasma częstotliwości

Zakres częstotliwości	Moc wyjściowa
Bezprzewodowa sieć LAN (Telewizor)	
2 400-2 483,5 MHz	< 20,0 dBm
5 150-5 250 MHz	< 23,0 dBm
5 250-5 350 MHz	< 20,0 dBm
5 470-5 725 MHz	< 20,0 dBm
5 725-5 850 MHz	< 13,9 dBm
Bluetooth® (Telewizor)	
2 400-2 483,5 MHz	< 10,0 dBm
Bluetooth® (Pilot)	
2 400-2 483,5 MHz	< 10,0 dBm

Gniazda wejścia/wyjścia

Antena/kabel

75-omowa antena zewnętrzna VHF/UHF

Antena satelitarna*1

Żeńskie złącze typu F, 75 omów.

DiSEqC 1.0, LNB 13 V/18 V i sygnał 22 kHz,

Dystr. za pomocą poj. kabla EN50494.

 /  AV IN

Wejście wideo/audio (mini jack)

HDMI IN 1/2/3/4 (Zgodność z HDCP 2.3)

Wideo:

4096 × 2160p (50, 60 Hz)*2*3, 4096 × 2160p (24 Hz)*2, 3840 × 2160p (50, 60 Hz)*3, 3840 × 2160p (24, 25, 30 Hz), 1080p (30, 50, 60, 100, 120 Hz), 1080/24p, 1080i (50, 60 Hz), 720p (30, 50, 60 Hz), 720/24p, 576p, 480p, formaty komputerowe*4
7680 × 4320p (24, 25, 30, 50, 60 Hz)*4*5, 3840 × 2160p (100, 120 Hz)*4*5

Audio:

W trybie eARC (Enhanced Audio Return Channel)

Aby uzyskać szczegółowe informacje, zobacz Przewodnik pomocniczy.

Z wyjątkiem trybu eARC

5,1 kanałów, liniowe PCM: 32/44,1/48/88,2/96/176,4/192 kHz 16/20/24 bity, Dolby Audio, Dolby Atmos, DTS

eARC/ARC (Enhanced Audio Return Channel/Audio Return Channel) (tylko HDMI IN 3)*6

W trybie eARC

Aby uzyskać szczegółowe informacje, zobacz Przewodnik pomocniczy.

W trybie ARC

Dwukanałowe liniowe PCM: 48 kHz 16 bity, Dolby Audio, Dolby Atmos, DTS


 DIGITAL AUDIO OUT (OPTICAL)

Cyfrowe gniazdo optyczne (dwukanałowe liniowe PCM: 48 kHz 16 bity, Dolby Audio, DTS)

 (mini jack stereo)

Stuchawki

 1,  2,  3 (HDD REC)*7

Port urządzeń USB (Dysk twardy USB  3 dla funkcji REC)

Porty USB 1 i 2 obsługują standard High Speed USB (USB 2.0)

Port USB 3 obsługuje standard Super Speed USB (USB 3.1 Gen 1)



Gniazdo CAM (moduł dostępu warunkowego)



LAN

Gniazdo 10BASE-T/100BASE-TX (Prędkość połączenia zależy od parametrów sieci. Nie gwarantuje się prędkości i jakości transmisji.)

CENTER SPEAKER IN

Wejście głośnika środkowego (Terminal głośnikowy)

Moc, karta produktu i inne

Wymagania dotyczące zasilania
220 V – 240 V (prąd zmienny), 50 Hz

Klasa efektywności energetycznej

KD-85ZH8: C

KD-75ZH8: C

Wielkość ekranu (przekątna) (ok.)

KD-85ZH8: 214,8 cm / 85 cali

KD-75ZH8: 189,3 cm / 75 cali

Pobór mocy

W trybie [Standardowy]

KD-85ZH8: 487 W

KD-75ZH8: 361 W

W trybie [Żywy]

KD-85ZH8: 815 W

KD-75ZH8: 590 W

Roczne zużycie energii*8

KD-85ZH8: 675 kWh rocznie

KD-75ZH8: 501 kWh rocznie

Pobór mocy w trybie czuwania*9,10

KD-85ZH8: 0,50 W (63 W w trybie aktualizacji oprogramowania lub elektronicznego przewodnika po programach)

KD-75ZH8: 0,50 W (52 W w trybie aktualizacji oprogramowania lub elektronicznego przewodnika po programach)

Rozdzielczość ekranu

7 680 punktów (w poziomie) × 4 320 linii (w pionie)

Wartości znamionowe wyjścia

USB 1/2

maks. 5 V $\overline{=}$, 500 mA

USB 3

maks. 5 V $\overline{=}$, 900 mA

Wymiary (przybliżone) (szer. × wys. × gł.) (cm)

z podstawą

Położenie standardowe:

KD-85ZH8: 192,0 × 111,7 × 42,8

KD-75ZH8: 169,6 × 98,6 × 35,6

Położenie pionowe:

KD-85ZH8: 190,4 × 112,0 × 42,8

KD-75ZH8: 168,0 × 98,9 × 35,6

bez podstawy

KD-85ZH8: 190,4 × 110,9 × 8,4

KD-75ZH8: 168,0 × 97,7 × 8,4

Szerokość podstawy (przybliżona) (cm)

Położenie standardowe:

KD-85ZH8: 192,0

KD-75ZH8: 169,6

Położenie pionowe:

KD-85ZH8: 86,5

KD-75ZH8: 62,3

Waga (przybliżona) (kg)

z podstawą

Położenie standardowe:

KD-85ZH8: 67,8

KD-75ZH8: 49,9

Położenie pionowe:

KD-85ZH8: 67,3

KD-75ZH8: 49,4

bez podstawy

KD-85ZH8: 65,6

KD-75ZH8: 47,9

Inne

Wypożyczenie dodatkowe

Uchwyt ścienny: SU-WL450

Temperatura robocza: 0 °C – 40 °C

Wilgotność robocza: 10 % – 80 % wilgotności względnej (bez kondensacji)

*1 Nie wszystkie modele telewizorów są wyposażone w technologię DVB-T2 lub DVB-S/S2, lub też terminal anteny satelitarnej.

*2 W przypadku podłączenia do wejścia z rozdzielczością 4096 × 2160p i opcji [Tryb szerokoekranowy] ustawionej na [Normalny] wybrana zostaje rozdzielczość wyświetlania 3840 × 2160p. Aby wyświetlać rozdzielczość 4096 × 2160p, opcję [Tryb szerokoekranowy] należy ustawić na [Pełny 1] lub [Pełny 2].

*3 Aby obsługiwać prędkość przesyłu 18 Gb/s, ustaw opcję [Format sygnału HDMI] na Ulepszony format.

*4 Aby uzyskać szczegółowe informacje, zobacz Przewodnik pomocniczy online.

*5 Tylko HDMI IN 4.

*6 Podłącz zestaw audio do HDMI IN 3, aby doprowadzić dźwięk telewizora do zestawu audio.

*7 Wyłącznie w przypadku niektórych regionów/krajów/modeli telewizora.

*8 Zużycie energii w kWh rocznie, w oparciu o wyliczenie zużycia energii dla telewizora pracującego 4 godziny dziennie przez 365 dni w roku. Rzeczywiste zużycie energii zależy od sposobu korzystania z telewizora.

*9 Podany pobór mocy w trybie czuwania jest osiągnięty po zakończeniu wykonywania przez odbiornik TV wymaganych procesów wewnętrznych.

*10 Pobór mocy w trybie czuwania wzrośnie przy połączeniu telewizora z siecią.

Uwaga

- Dostępność wyposażenia opcjonalnego zależy od kraju, regionu, modelu telewizora i stanu magazynowego.
- Projekt i dane techniczne mogą zostać zmienione bez powiadomienia.
- Mogą być wymagane subskrypcje usług i aplikacji, a podczas korzystania z Asystenta Google mogą obowiązywać dodatkowe warunki i / lub opłaty.

Informacje dotyczące telewizji cyfrowej

- Telewizja cyfrowa (naziemna DVB, satelitarna i kablowa), usługi interaktywne i funkcje sieciowe mogą nie być dostępne we wszystkich krajach lub obszarach. Niektóre funkcje mogą nie być włączone lub mogą nie działać poprawnie w przypadku niektórych dostawców i środowisk sieciowych. Niektórzy dostawcy usług telewizyjnych mogą pobierać opłaty za swoje usługi.
- Ten telewizor obsługuje nadawanie cyfrowe z użyciem kodeków MPEG-2, H.264/MPEG-4 AVC i H.265/HEVC, ale nie można zagwarantować zgodności ze wszystkimi sygnałami operatorów/usług, które mogą się zmieniać z biegiem czasu.

Informacje dot. znaków towarowych

- Terminy HDMI, HDMI High Definition Multimedia Interface oraz logo HDMI są znakami towarowymi lub zarejestrowanymi znakami towarowymi HDMI Licensing Administrator, Inc. w Stanach Zjednoczonych i innych krajach.
- Dolby, Dolby Vision, Dolby Atmos, Dolby Audio i symbol z podwójnym D są znakami towarowymi firmy Dolby Laboratories. Wyprodukowano na licencji Dolby Laboratories. Dokumenty poufne, niepublikowane. Copyright © 2012-2018 Dolby Laboratories. Wszystkie prawa zastrzeżone.
- Gracenote, logo i logotyp Gracenote oraz logo „Powered by Gracenote” są znakami towarowymi lub zarejestrowanymi znakami towarowymi Gracenote, Inc. w USA oraz innych krajach.
- Google, Google Play, Chromecast, YouTube, Android TV i inne powiązane oznaczenia oraz logo są znakami towarowymi firmy Google LLC.
- W kwestii informacji na temat patentów DTS należy skorzystać z witryny <http://patents.dts.com>. Produkowane na licencji DTS, Inc. DTS, Symbol oraz DTS i Symbol razem, i Digital Surround są zastrzeżonymi znakami towarowymi lub znakami towarowymi firmy DTS, Inc. w Stanach Zjednoczonych i/lub innych krajach. © DTS, Inc. Wszystkie prawa zastrzeżone.
- Netflix jest zarejestrowanym znakiem towarowym firmy Netflix, Inc.

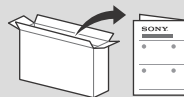
- DiSEqC™ jest znakiem towarowym firmy EUTELSAT. Ten telewizor obsługuje standard DiSEqC 1.0. Ten telewizor nie służy do sterowania antenami z napędem.
- TUXERA jest zastrzeżonym znakiem towarowym firmy Tuxera Inc. w USA i innych krajach.
- Wszystkie inne znaki towarowe są własnością ich właścicieli.

O návodech

Tento televizor je dodáván s následujícími návody. Uchovejte tyto návody pro jejich případné budoucí použití.

Průvodce nastavením

- Instalace a nastavení televize.



Referenční příručka (tento návod) / Bezpečnostní dokumentace

- Bezpečnostní informace, dálkové ovládání, řešení problémů, instalace na stěnu, specifikace atd.



Uživatelská příručka (Návod na obrazovce)

- Nastavení, TV funkce Android, připojení k internetu, řešení problémů atd.
- Chcete-li ji otevřít, stiskněte tlačítko **HELP** na dálkovém ovladači a vyberte Uživatelská příručka.



- Uživatelskou příručku můžete najít a přečíst si ji ve svém chytrém telefonu.



https://rd1.sony.net/help/tv/haep1/h_aep/

DŮLEŽITÉ – Před použitím Vámi zakoupeného výrobku firmy Sony si přečtěte Licenční smlouvu na software s koncovým uživatelem. Používáním výrobku potvrzujete, že souhlasíte s Licenční smlouvou na software s koncovým uživatelem. Licenční smlouva na software mezi vámi a společností Sony je k dispozici online na webových stránkách společnosti Sony (<http://www.sony.net/tv-software-licenses/>) nebo na obrazovce Vámi zakoupeného výrobku. Přejděte na [Nastavení] → [Předvolby zařízení] → [O zařízení] → [Právní informace] → [Upozornění a licence].

Poznámka

- Před zapnutím televizoru si přečtěte „Bezpečnostní informace“.
- Přečtěte si dodaný dokument bezpečnostní dokumentace, kde naleznete další bezpečnostní informace.
- Obrázky a ilustrace v Průvodci nastavením a v tomto návodu slouží jen pro vaši referenci a mohou se lišit od skutečného vzhledu produktu.
- Symbol „xx“, který se objevuje v názvu modelu, odpovídá číslu popisující design, barvu nebo systém TV.

Umístění identifikačního štítku

Štítky s číslem modelu, datem výroby (rokem/měsícem) a specifikací zdroje napájení se nacházejí na zadní části televizoru nebo na obalu. Mohou být nalezeny po sejmutí krytu terminálu.

DŮLEŽITÁ POZNÁMKA

Prohlášení k rádiovým zařízením

Sony Corporation tímto prohlašuje, že rádiová zařízení KD-85ZH8, KD-75ZH8 jsou v souladu se směrnicí 2014/53/EU. Úplné znění EU prohlášení o shodě je k dispozici na této internetové adrese: <http://www.compliance.sony.eu/>

Upozornění pro zákazníky: následující informace se vztahují pouze na přístroje prodávané v zemích podléhajících směrnicím EU.

U tohoto rádiového zařízení se vztahují následující omezení uvádění do provozu nebo požadavků na povolení použití v AT, BE, HR, CY, CZ, DK, EE, FI, FR, DE, EL, HU, IE, IT, LV, LT, LU, MT, NL, PL, PT, SK, SI, ES, SE, UK, IS, LI, NO, CH, BG, RO, TR, AL, BA, MK, MD, RS, ME, Kosovo :
Pásmo 5 150 – 5 350 MHz je omezeno pouze na interní provoz.

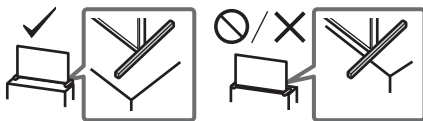
Bezpečnostní informace

Instalace/Nastavení

Televizor instalujte a používejte podle následujících pokynů, zabráníte tak nebezpečí požáru, úrazu elektrickým proudem nebo poškození anebo zranění.

Instalace

- Televizor musí být instalován v blízkosti snadno přístupné zásuvky.
- Umístěte televizor na stabilní vodorovný povrch, aby přístroj nemohl spadnout a způsobit poranění osob nebo poškození majetku.
- Televizor nainstalujte na místo, kde za něj nebude možné zatáhnout, zatlačit na něj nebo ho shodit.
- Televizor nainstalujte tak, aby stolní stojan televizoru nepřechýlil z podstavce televizoru (není součástí dodávky). Pokud by stolní stojan přechýlil z podstavce televizoru, mohl by se televizor překloupit, spadnout a mohlo by tak dojít ke zranění osob nebo k poškození televizoru.

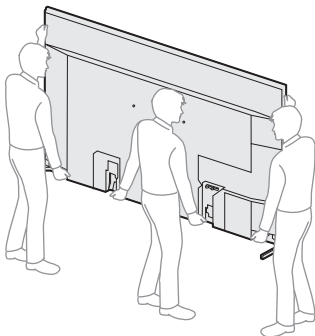


Přeprava

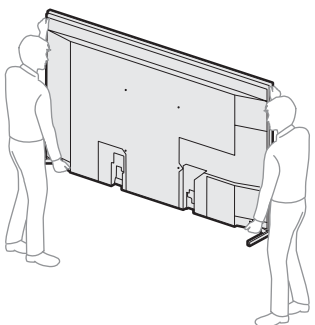
- Před přemístěním televizoru odpojte všechny kabely.
- K přenosu velkého televizoru jsou nutné dvě nebo více osob (tři nebo více pro KD-85ZH8).

- Když přenášíte TV v rukou, držte jej, jak je znázorněno níže.
Netlačte na LCD panel a rám okolo obrazovky.

KD-85ZH8

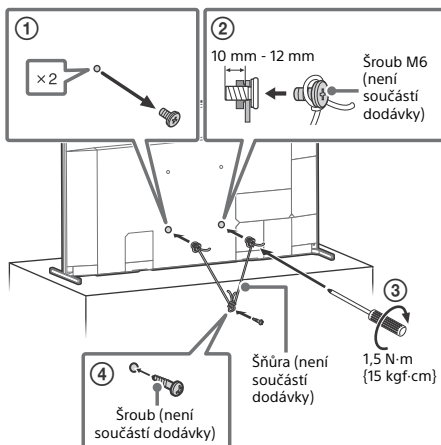


KD-75ZH8

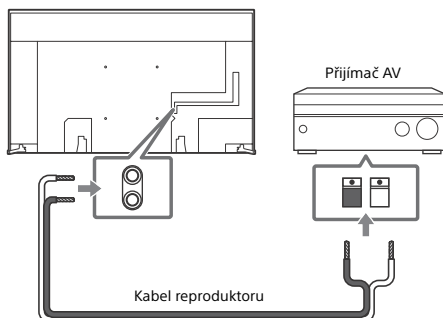


- Při přenášení televizoru dbejte na to, aby do něho nenarazil, nebo nadměrně nevíbroval.
- Jestliže vezete televizor do opravy, nebo ho stěhujete, vždy ho zabalte do originální krabice a obalového materiálu.

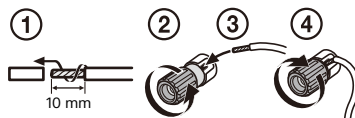
Ochrana před převrácením



Použití TV jako středového reproduktoru



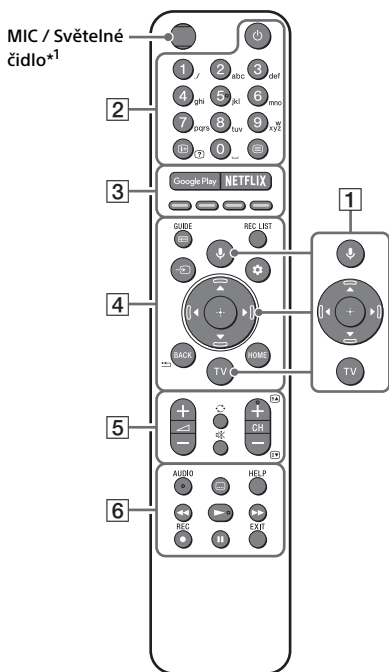
- Než připojíte kabely, odpojte televizor i přijímač AV od elektrické sítě.
- Položku [Reproduktor] je nutné nastavit na [Audio systém].



Aby nedocházelo k sčínění, když není CENTER SPEAKER IN zapojen do AV přijímače, deaktivujte [Režim středového TV reproduktoru]. Více informací naleznete v uživatelské příručce.

Dálkové ovládání a televizor

Tvar, umístění, dostupnost a funkce tlačítek dálkového ovladače se může lišit v závislosti na zemi, oblasti nebo modelu televizoru.



1 **🗣️ (Mikrofon):** Použijte Asistent Google*^{2,3} nebo hlasové vyhledávání*³. Tipy, jak ovládat váš televizor, získáte stisknutím tlačítka **🗣️** (Mikrofon) a vyslovením fráze „tipy pro hlasové povely“.*²

▲/▼/◀/▶/⊕: Navigace a výběr v nabídce na obrazovce.

TV: Zobrazte seznam televizních kanálů nebo přepněte na určení vstupu.

2 **🔌 (Pohotovostní režim TV)**

Číselná tlačítka

ℹ️/? (Informace/Odhalení textu): Zobrazte informace.

📄 (Text): Zobrazte textové informace.

3 **Google Play / NETFLIX*² / Barevná tlačítka**

4 **GUIDE/📺:** Zobrazte digitálního programového průvodce televizoru nebo kabelového/satelitního přijímače*^{2,4}.

REC LIST: Zobrazte seznam nahrávek Rec na USB HDD/DVR*⁴.

→ (Volba vstupu): Zobrazte a zvolte vstupní zdroj atd.

⚙️ (Rychlá nastavení): Zobrazit rychlá nastavení.

BACK/⏪

HOME

5 **🔊 +/- (Hlasitost)**

🔄 (Skok)

🔇 (Ztišit)*⁵

CH +/-/📺/📺: Vyberte příslušný kanál nebo následující (📺) / předchozí (📺) stránku.

6 **AUDIO:** Vybere zvuk vícejazyčného zdroje nebo duální zvuk (v závislosti na zdroji programu).

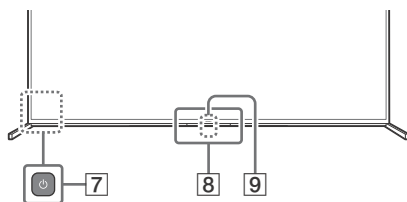
⋮ (Nastavení titulků)

HELP: Zobrazte nabídku nápovědy.

⏮️/⏪/⏩/⏭️/⏸️

● REC: Nahrajte právě sledovaný program na USB HDD/DVR*⁴.

EXIT

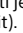


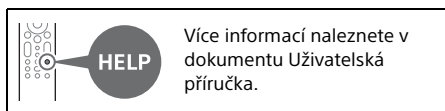
7 **🔌 (Napájení)**

8 **Čidlo dálkového ovládání / Světelné čidlo / LED*⁶**

9 **Vestavěný mikrofon*^{2,3,7}:** K povolení vestavěného mikrofonu (MIC) stiskněte tlačítka **🗣️** (Mikrofon) na dálkovém ovládání a řiďte se pokyny na obrazovce.

*1 Podsvícení dálkového ovládání se rozsvítí, pokud světelné čidlo detekuje slabé okolní osvětlení. Automatické osvětlení podsvícení je možné vypnout.

- *2 Pouze pro některé oblasti/země/modely televizorů/ jazyky.
- *3 Asistent Google nebo hlasové vyhledávání vyžaduje připojení k internetu.
- *4 Je vyžadováno nastavení [Nastavení kabelového/ satelitního přijímače].
- *5 Zkratka přístupnosti je k dispozici stisknutím a podržením  (Ztišit).
- *6 Součástí je také kontrolka LED vestavěného mikrofonu.
- *7 Spotřeba elektrické energie v pohotovostním režimu vzroste, protože vestavěný mikrofon (MIC) vždy v pohotovostním režimu naslouchá.



Montáž televizoru na zeď

Používání volitelného Nástěnného držáku (SU-WL450)* (není součástí dodávky)

Pro zákazníky:

Společnost Sony za účelem ochrany produktu a z důvodů bezpečnosti důrazně doporučuje, aby instalaci televizoru provedl prodejce Sony nebo autorizovaný dodavatel. Nepokoušejte se o jeho instalaci sami.

Prodejci a dodavatele Sony:

Během instalace, pravidelné údržby a prohlídky výrobku důsledně dbejte na bezpečnost.

Nástěnný držák - informace pro instalaci

Tento návod k použití pro TV poskytuje pouze kroky pro přípravu TV pro montáž na zeď před tím, než je na zeď instalována. Pokyny k instalaci Nástěnného držáku na stěnu naleznete v části Informace o instalaci (Nástěnný držák) na stránce produktu modelu televizoru.

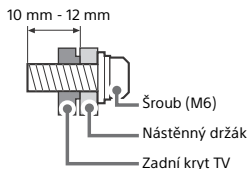
<https://www.sony.eu/support>

Příprava instalace nástěnného držáku

Zajistěte, že před instalací TV na stěnu byl připevněn stolní stojan dle pokynů v průvodci nastavením.

- Připevněte televizor k Nástěnnému držáku před tím, než zapojíte kabely.
- Řiďte se pokyny dodanými s Nástěnným držákem pro váš model. Instalace tohoto produktu vyžaduje dostatečné zkušenosti, zejména pak pro posouzení, zda zeď unese hmotnost televizoru.

- Připevnění tohoto produktu na zeď byste měli svěřit prodejci Sony nebo autorizovaným dodavatelům a během instalace věnovat patřičnou pozornost bezpečnosti. Společnost Sony nenesе žádnou odpovědnost za poškození nebo zranění způsobené nesprávnou manipulací nebo instalací.
- Šrouby pro Nástěnný držák nejsou součástí balení.
- Montáž TV na stěnu smí provádět pouze kvalifikovaný servisní personál.
- Z bezpečnostních důvodů důrazně doporučujeme používání příslušenství Sony včetně:
 - Nástěnný držák SU-WL450
- Když k TV připevňujete Nástěnný držák, použijte šrouby dodané s Nástěnným držákem. Dodané šrouby jsou navrženy k použití, jak je vyznačeno na obrázku, měřeno od montážního povrchu Nástěnného držáku. Průměr a délka šroubů se liší podle modelu Nástěnného držáku. Použití jiných šroubů může mít za následek vnitřní poškození televizoru nebo způsobit jeho pád apod.

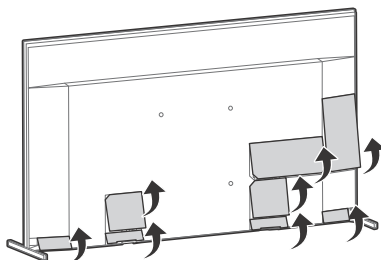


- Ujistěte se, že nepoužité šrouby a stolní stojan budou uchovány na bezpečném místě do doby, kdy budete chtít stolní stojan připevnit. Šrouby uchovávejte mimo dosah malých dětí.

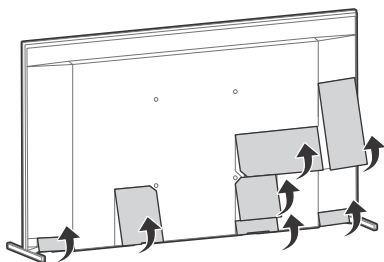
* Pouze pro některé oblasti/země/modely televizorů.

1 Sejměte kryty konektorů.

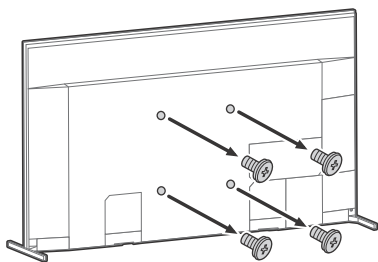
KD-85ZH8



CZ



2 Odšroubujte šrouby na zadní straně TV.



Řešení problémů

Při obecném řešení problémů, jako jsou černá obrazovka, nehrající zvuk, nehybný obraz, nereagující televizor nebo ztráta sítě, postupujte následovně.

- 1 Vypněte televizor stisknutím tlačítka napájení na dálkovém ovládacím přístroji přibližně na 5 sekund a znovu zapněte. Televizor se restartuje. Pokud se funkce televizoru neobnoví, zkuste jej odpojit od zdroje napájení. Poté stiskněte a uvolněte tlačítko napájení na televizoru. Počkejte dvě minuty a TV opět připojte ke zdroji napájení.
- 2 Více informací naleznete v nabídce nápovědy po stisknutí tlačítka **HELP** na dálkovém ovládacím přístroji.
- 3 Připojte televizor k internetu a aktualizujte software. Společnost Sony doporučuje udržovat software televizoru aktualizovaný. Softwarové aktualizace poskytují nové funkce a vylepšení výkonu.

- 4 Navštivte internetové stránky podpory Sony (informace naleznete na konci tohoto návodu).

Když televizor odpojíte, je možné, že televizor nebude možné nějakou dobu zapnout, i když stisknete tlačítko napájení na dálkovém ovládacím přístroji.

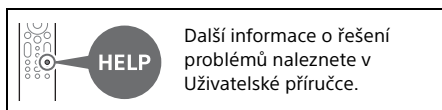
Inicializace systému nějakou dobu trvá. Počkejte přibližně jednu minutu, potom to zkuste znovu.

Dálkové ovládání nefunguje.

- Vyměňte baterie.

Zapomněli jste heslo rodičovského zámku.

- Zadejte 9999 pro kód PIN a zadejte nový PIN.



Specifikace

Systém

Systém panelu: Panel LCD (displej s kapalnými krystaly), Podsvícení LED

TV systém: V závislosti na oblasti, zemi nebo modelu televizoru

Analogové: B/G, D/K, I

Digitální: DVB-T/DVB-C/DVB-T2*1

Satelit*1: DVB-S/DVB-S2

Systém barev: PAL/SECAM/NTSC3.58 (Pouze video)/NTSC4.43 (Pouze video)

Výběr kanálů: V závislosti na oblasti, zemi nebo modelu televizoru

Analogové: UHF/VHF/kabel

Digitální: UHF/VHF/kabel

Satelit*1: mezifrekvenční kmitočet 950-2 150 MHz

Zvukový výstup: 12,5 W + 12,5 W + 12,5 W + 12,5 W + 5 W + 5 W

Bezdrátová technologie

Protokol IEEE 802.11a/b/g/n/ac

Verze Bluetooth® 4.2

Kmitočtové pásmo (pásma)

Frekvenční rozsah	Výstupní výkon
Bezdrátová síť LAN (Televize)	
2 400-2 483,5 MHz	< 20,0 dBm
5 150-5 250 MHz	< 23,0 dBm
5 250-5 350 MHz	< 20,0 dBm
5 470-5 725 MHz	< 20,0 dBm
5 725-5 850 MHz	< 13,9 dBm
Bluetooth® (Televize)	
2 400-2 483,5 MHz	< 10,0 dBm
Bluetooth® (Dálkové ovládání)	
2 400-2 483,5 MHz	< 10,0 dBm

Vstupní/Výstupní konektory

Anténa/kabel

75 ohmová externí zásuvka pro VHF/UHF

Satelitní anténa*1

Konektor typ F (zásuvka), 75 ohmová.

DiSEqC 1.0, LNB 13 V/18 V a tón 22 kHz, rozvod signálu jediným kabelem EN50494.

/ AV IN

Video/audio vstup (mini jack konektor)

HDMI IN 1/2/3/4 (Kompatibilní s HDCP 2.3)

Video:

4096 × 2160p (50, 60 Hz)*2*3, 4096 × 2160p (24 Hz)*2, 3840 × 2160p (50, 60 Hz)*3, 3840 × 2160p (24, 25, 30 Hz), 1080p (30, 50, 60, 100, 120 Hz), 1080/24p, 1080i (50, 60 Hz), 720p (30, 50, 60 Hz), 720/24p, 576p, 480p, PC formáty*4

7680 × 4320p (24, 25, 30, 50, 60 Hz)*4*5, 3840 × 2160p (100, 120 Hz)*4*5

Audio:

V režimu eARC (Enhanced Audio Return Channel)

Podrobnosti naleznete v Uživatelské příručce.

Kromě režimu eARC

5,1 kanálové lineární PCM: 32/44,1/48/88,2/96/176,4/192 kHz 16/20/24 bitů, Dolby Audio, Dolby Atmos, DTS

eARC/ARC (Enhanced Audio Return Channel/ Audio Return Channel) (Pouze HDMI IN 3)*6

V režimu eARC

Podrobnosti naleznete v Uživatelské příručce.

V režimu ARC

Dvoukanálový lineární PCM: 48 kHz 16 bitů, Dolby Audio, Dolby Atmos, DTS


DIGITAL AUDIO OUT (OPTICAL)

Digitální optický konektor jack (dvoukanálový lineární PCM: 48 kHz 16 bitů, Dolby Audio, DTS)

(stereo mini konektor)

Sluchátka

1, 2, 3 (HDD REC)*7

Port zařízení USB ( 3 USB HDD zařízení pro funkci nahrávání)

USB porty 1 a 2 podporují vysokorychlostní USB (USB 2.0)

USB port 3 podporuje super rychlé USB (USB 3.1 Gen 1)



Slot CAM (modul podmíněného přístupu)



LAN

Konektor 10BASE-T/100BASE-TX (V závislosti na provozním prostředí sítě se rychlost připojení může lišit. Rychlost a kvalita komunikace nejsou zaručeny.)

CENTER SPEAKER IN

Vstup středového reproduktoru (Pólová svorka)

Napájení, specifikace produktu a další

Požadavky na napájení

220 V – 240 V AC, 50 Hz

Třída energetické účinnosti

KD-85ZH8: C

KD-75ZH8: C

Velikost obrazovky (úhlopříčka) (přibl.)

KD-85ZH8: 214,8 cm / 85 palců

KD-75ZH8: 189,3 cm / 75 palců

Spotřeba elektrické energie

V režimu [Standardní]

KD-85ZH8: 487 W

KD-75ZH8: 361 W

V režimu [Živý]

KD-85ZH8: 815 W

KD-75ZH8: 590 W

Roční spotřeba energie*8

KD-85ZH8: 675 kWh za rok

KD-75ZH8: 501 kWh za rok

Spotřeba elektrické energie v pohotovostním režimu*9*10

KD-85ZH8: 0,50 W (63 W v režimu aktualizace softwaru/EPG)

KD-75ZH8: 0,50 W (52 W v režimu aktualizace softwaru/EPG)

Rozlišení displeje

7 680 bodů (vodorovně) × 4 320 řádků (svisle)

Vlastnosti výstupu

USB 1/2

5 V $\overline{=}$, MAX. 500 mA

USB 3

5 V $\overline{=}$, MAX. 900 mA

Rozměry (přibl.) (š × v × h) (cm)

se stolním stojanem

Standardní poloha:

KD-85ZH8: 192,0 × 111,7 × 42,8

KD-75ZH8: 169,6 × 98,6 × 35,6

Úzká poloha:

KD-85ZH8: 190,4 × 112,0 × 42,8

KD-75ZH8: 168,0 × 98,9 × 35,6

bez stolního stojanu

KD-85ZH8: 190,4 × 110,9 × 8,4

KD-75ZH8: 168,0 × 97,7 × 8,4

Šířka stojanu (přibl.) (cm)

Standardní poloha:

KD-85ZH8: 192,0

KD-75ZH8: 169,6

Úzká poloha:

KD-85ZH8: 86,5

KD-75ZH8: 62,3

Hmotnost (přibl.) (kg)

se stolním stojanem

Standardní poloha:

KD-85ZH8: 67,8

KD-75ZH8: 49,9

Úzká poloha:

KD-85ZH8: 67,3

KD-75ZH8: 49,4

bez stolního stojanu

KD-85ZH8: 65,6

KD-75ZH8: 47,9

Ostatní

Volitelné příslušenství

Nástěnný držák: SU-WL450

Provozní teplota: 0 °C – 40 °C

Provozní vlhkost: Relativní vlhkost 10 % – 80 %
(nekondenzující)

*1 Všechny televizory nemají technologii DVB-T2 nebo DVB-S/S2 nebo terminál pro satelitní anténu.

*2 Když je vstup 4096 × 2160p a [Širokoúhlý režim] je nastaveno na [Výchozí], rozlišení bude zobrazeno jako 3840 × 2160p. Pro zobrazení 4096 × 2160p, nastavte [Širokoúhlý režim] na [Plný 1] nebo [Plný 2].

*3 Pro podporu 18 Gbps, nastavte [Formát signálu HDMI] na Vylepšený formát.

*4 Podrobnosti naleznete online v Uživatelské příručce.

*5 Pouze HDMI IN 4.

*6 Připojte svůj audio systém do portu HDMI IN 3 pro reprodukci zvuku TV vašim audio systémem.

*7 Pouze pro některé oblasti/země/modely televizoru.

*8 Spotřeba energie v kWh za rok spočítaná na základě spotřeby televizoru zapnutého 4 hodiny denně po 365 dní. Skutečná spotřeba energie závisí na způsobu používání televizoru.

*9 Specifikovaná spotřeba elektrické energie v pohotovostním režimu je dosažena po dokončení nezbytných vnitřních procesů televizoru.

*10 Spotřeba elektrické energie v pohotovostním režimu se zvýší, pokud je televizor připojen k síti.

Poznámka

- Dostupnost volitelného příslušenství závisí na zemi/oblasti/modelu televizoru/zásobách na skladě.
- Vzhled a specifikace se mohou změnit bez předchozího upozornění.
- Pro používání Asistent Google může být vyžadováno předplatné služeb a aplikací a mohou platit další smluvní podmínky a/nebo poplatky.

Poznámky k funkcím digitální televize

- Digitální televize (DVB pozemní, satelitní a kabelová), interaktivní služby a síťové funkce nemusí být dostupné ve všech zemích nebo oblastech. Některé funkce nemusí být některými poskytovateli a v některých síťových prostředích aktivovány nebo nemusí pracovat správně. Některé poskytovatelé televizních služeb mohou za své služby účtovat poplatky.
- Tento televizor podporuje digitální vysílání s využitím kodeků MPEG-2, H.264/MPEG-4 AVC a H.265/HEVC, nicméně nelze zaručit kompatibilitu se signály všech operátorů/služeb, které se mohou v průběhu času měnit.

Informace o obchodních značkách

- Pojmy HDMI a HDMI High-Definition Multimedia Interface a rovněž logo HDMI jsou ochranné známky nebo zapsané ochranné známky společnosti HDMI Licensing Administrator, Inc. ve Spojených státech a dalších zemích.
- Dolby, Dolby Vision, Dolby Atmos, Dolby Audio a symbol dvojitého D jsou ochranné známky společnosti Dolby Laboratories. Vyrobeno na základě licence poskytnuté společností Dolby Laboratories. Důvěrné nepublikované materiály. Copyright © 2012-2018 Dolby Laboratories. Všechna práva vyhrazena.
- Gracenote, logo a ligatura Gracenote a logo „Powered by Gracenote“ jsou buď registrované obchodní známky, nebo obchodní známky společnosti Gracenote, Inc. ve Spojených státech a/nebo jiných zemích.
- Google, Google Play, Chromecast, YouTube, Android TV a další související značky a loga jsou ochranné známky společnosti Google LLC.

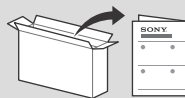
- Informace o patentech DTS naleznete na <http://patents.dts.com>. Vyrobeno na základě licence od společnosti DTS, Inc. DTS, symbol, DTS společně se symbolem a Digital Surround jsou registrované obchodní známky nebo obchodní značky společnosti DTS, Inc. ve Spojených státech a/nebo v dalších zemích. © DTS, Inc. Všechna práva vyhrazena.
- Netflix je registrovaná ochranná známka společnosti Netflix, Inc.
- DiSEqC™ je ochranná známka společnosti EUTELSAT.
Tento televizor podporuje DiSEqC 1.0. Tento televizor není určen k ovládání antén s motorovým pohonem.
- TUXERA je registrovaná ochranná známka společnosti Tuxera Inc. v USA a v dalších zemích.
- Všechny ostatní ochranné známky jsou majetkem příslušných vlastníků.

O príručkách

Tento televízor sa dodáva s nasledujúcimi príručkami. Uchovajte príručky pre budúce použitie.

Sprievodca nastavením

- Inštalácia a nastavenie televízora.



Referenčná príručka (táto príručka) / Bezpečnostná dokumentácia

- Informácie o bezpečnosti, diaľkový ovládač, riešenie problémov, inštalácia na stenu, špecifikácia atď.



Príručka (Príručka na obrazovke)

- Nastavenia, funkcie Android TV, pripojenie k internetu, riešenie problémov atď.
- Ak ju chcete otvoriť, stlačte tlačidlo pomocníka **HELP** na diaľkovom ovládači a zvolte Príručka.



- Príručku si môžete pozrieť pomocou smartphonu.



https://rd1.sony.net/help/tv/haep1/h_aep/

DÔLEŽITÉ – Pred použitím výrobku Sony si prečítajte licenčnú zmluvu týkajúcu sa softvéru koncového používateľa. Používanie vášho výrobku znamená, že súhlasíte s licenčnou zmluvou týkajúcou sa softvéru koncového používateľa. Licenčná zmluva týkajúca sa softvéru medzi vami a spoločnosťou Sony je k dispozícii online na webovej stránke spoločnosti Sony (<http://www.sony.net/tv-software-licenses/>) alebo na obrazovke vášho výrobku. Prejdite na [Nastavenia] → [Predvolby zariadenia] → [Informácie] → [Právne informácie] → [Upozornenia a licencie].

Poznámka

- Pred uvedením tohto televízneho prijímača do činnosti si prečítajte „Informácie o bezpečnosti“.
- Prečítajte si dodanú bezpečnostnú dokumentáciu ohľadom dodatočných bezpečnostných informácií.
- Obrázky a ilustrácie použité v Sprievodcovi nastavením a v tomto návode slúžia len na referenčné účely a môžu sa líšiť od samotného produktu.
- Znak „xx“, ktorý sa uvádza v názve modelu, zodpovedá číselnému znaku, ktorý sa týka konštrukcie, farby alebo systému televízneho vysielania.

Umiestnenie identifikačného štítku

Štítky s číslom modelu, dátumom výroby (rok/mesiac) a s údajmi o napájacom zdroji sa nachádzajú na zadnej časti TV prijímača alebo na balení. Možno ich nájsť, ak demontujete kryt konektorov.

DÔLEŽITÉ UPOZORNENIE

Poznámka pre rádiové zariadenie

Sony Corporation týmto vyhlasuje, že rádiové zariadenia typu KD-85ZH8, KD-75ZH8 sú v súlade so smernicou 2014/53/EÚ. Úplné EÚ vyhlásenie o zhode je k dispozícii na tejto internetovej adrese: <http://www.compliance.sony.eu/>

Poznámka pre spotrebiteľov: nasledujúce informácie sa vzťahujú iba na zariadenie predávané v krajinách, v ktorých platia smernice EÚ.

Pre toto rádiové zariadenie platia nasledujúce obmedzenia týkajúce sa uvedenia do prevádzky alebo požiadaviek na autorizáciu používania v krajinách AT, BE, HR, CY, CZ, DK, EE, FI, FR, DE, EL, HU, IE, IT, LV, LT, LU, MT, NL, PL, PT, SK, SI, ES, SE, UK, IS, LI, NO, CH, BG, RO, TR, AL, BA, MK, MD, RS, ME, Kosovo : Pásmo 5 150 - 5 350 MHz je obmedzené len na použitie v interiéri.

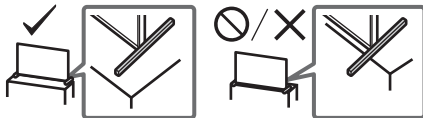
Informácie o bezpečnosti

Inštalácia/Nastavenie

Televízny prijímač nainštalujte a používajte v súlade s dolu uvedenými pokynmi, aby ste predišli vzniku rizika požiaru, zásahu elektrickým prúdom, poškodeniam alebo úrazom.

Inštalácia

- Televízny prijímač treba nainštalovať v blízkosti ľahko dostupnej sieťovej zásuvky.
- Umiestnite televízny prijímač na stabilný rovný povrch, aby nedošlo k jeho prevrhnutiu a následnému zraneniu alebo poškodeniu majetku.
- Televízny prijímač nainštalujte na miesto, odkiaľ ho nemožno stiahnuť, posunúť ani prevrhnúť.
- Televízny prijímač nainštalujte tak, aby stolový stojan televízneho prijímača neprečnieval mimo TV stojana (nedodáva sa). Ak stolový stojan prečnieva mimo TV stojana, televízny prijímač sa môže prevrhnúť, spadnúť a spôsobí zranenie osôb alebo sa môže televízny prijímač poškodiť.

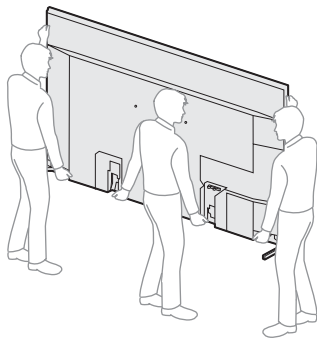


Pravara

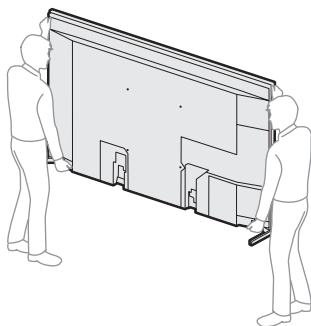
- Pred premiestňovaním televízneho prijímača odpojte všetky káble.
- Na prevážanie veľkého televízneho prijímača sú potrební dvaja alebo viaceri ľudia (traja alebo viaceri ľudia pre KD-85ZH8).

- Pri prenášaní držte televízny prijímač tak, ako je to znázornené nižšie. LCD panel a rám okolo obrazovky chráňte pred zvýšeným namáhaním.

KD-85ZH8

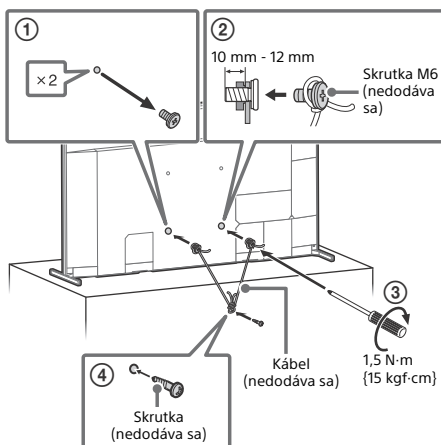


KD-75ZH8

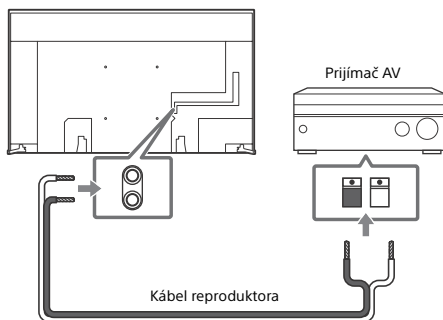


- Pri prenášaní a preprave chráňte televízny prijímač pred nárazmi alebo nadmernými vibráciami.
- Pri preprave do opravy alebo pri sťahovaní zabaľte televízny prijímač do pôvodného kartónu a baliaceho materiálu.

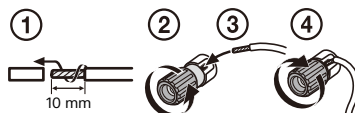
Predchádzanie prevrhnutiu



Používanie televízora ako stredného reproduktora



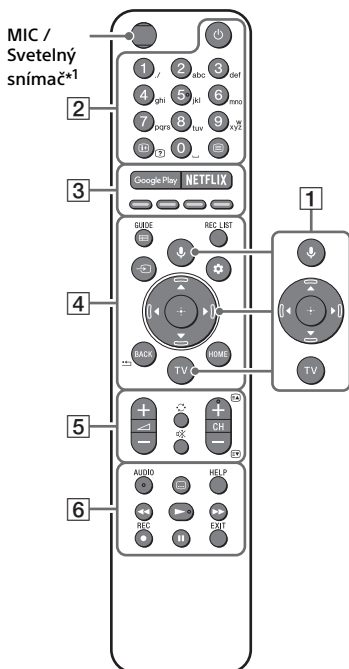
- Pred pripojením káblov odpojte TV aj prijímač AV z elektrickej siete.
- Zaisťte, aby bola položka [Reproduktor] nastavená na možnosť [Audio systém].



Na potlačenie šumu pri nepripojenom konektore CENTER SPEAKER IN k prijímaču AV vypnite [Režim stredného reproduktora TV]. Podrobnosti nájdete v dokumente Príručka.

Dialkový ovládač a televízny prijímač

Tvar diaľkového ovládača, umiestnenie, dostupnosť a funkcia tlačidiel na diaľkovom ovládači sa môžu líšiť v závislosti od oblasti/krajiny/modelu televízneho prijímača.



- 1** **🔊 (Mikrofón):** Použite Asistent Google*²⁺³ alebo hlasové vyhľadávanie*³. Ak chcete získať tipy na spôsob ovládania svojho televízora, stlačte tlačidlo **🔊 (Mikrofón)** a vyslovte frázu „hlasové tipy“.*²
- ▲/▼/◀/▶/⊕:** Navigácia a výber ponuky na obrazovke.

TV: Zobrazte zoznam TV kanálov alebo prepnite na vstup.

- 2** **🔌 (Pohotovostný režim TV prijímača)**

Tlačidlá s číslami

ℹ️/? (Zobrazenie informácií/textu): Zobrazenie informácií.

☰ (Text): Zobrazenie textových informácií.

- 3** **Google Play / NETFLIX*² / Farebné tlačidlá**

- 4** **GUIDE/☰:** Zobrazte digitálneho sprievodcu programom pre televízor alebo set-top box*²⁺⁴.

REC LIST: Zobrazenie zoznamu nahrávania na USB HDD/DVR*⁴.

➡️ (Výber vstupu): Zobrazenie a voľba zdroja vstupu a pod.

⚙️ (Rýchle nastavenia): Zobrazenie rýchlych nastavení.

BACK/◀️

HOME

- 5** **↔️ +/- (Hlasnosť)**

🔄 (Prechod)

🔇 (Stlmenie)*⁵

CH +/-/⏪/⏩: Zvoľte kanál alebo nasledujúcu (⏪) / predchádzajúcu (⏩) stránku.

- 6** **AUDIO:** Výber zvuku viacjazyčného zdroja alebo duálneho zvuku (závisí od zdroja programu).

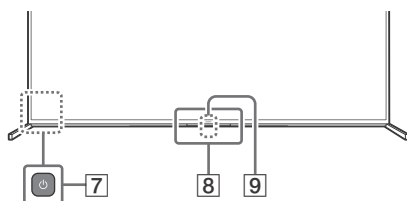
⋮ (Nastavenie titulkov)

HELP: Zobrazenie ponuky pomocníka.

◀️/▶️/▶️/||

● REC: Zaznamenanie práve sledovaného programu na USB HDD/DVR*⁴.

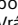
EXIT

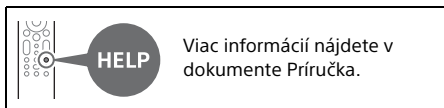


- 7** **🔌 (Napájanie)**

- 8** **Snímač diaľkového ovládania / Svetelný snímač / LED*⁶**

- 9** **Zabudovaný mikrofón*²⁺³⁺⁷:** Ak chcete zapnúť zabudovaný mikrofón, stlačte tlačidlo **🔊 (Mikrofón)** na diaľkovom ovládači a postupujte podľa pokynov na obrazovke.

- *1 Podsvietenie diaľkového ovládača sa zapne, keď svetelný snímač zistí, že okolité svetlo je slabé. Automatické zapnutie podsvietenia je možné vypnúť.
- *2 Len v obmedzených oblastiach/krajinách/modeloch TV prijímačov/jazykoch.
- *3 Asistent Google alebo hlasové vyhľadávanie vyžadujú pripojenie k internetu.
- *4 Vyžaduje sa nastavenie [Nastavenie set-top boxu].
- *5 Skratka prístupnosti je dostupná stlačením a podržaním  (Stlmenie).
- *6 Vráťane LED indikátora zabudovaného mikrofónu.
- *7 Spotreba energie v pohotovostnom režime sa zvyší, pretože zabudovaný mikrofón tiež počúva, keď je aktivovaný.



Montáž TV prijímača na stenu

Použitie voliteľnej Montážnej konzoly na stenu (SU-WL450)* (nedodáva sa)

Pre zákazníkov:

Z dôvodov ochrany produktu a bezpečnosti spoločnosť Sony odporúča, aby montáž TV prijímača vykonali predajcovia spoločnosti Sony alebo licencovaní dodávatelia. Nepokúšajte sa ho montovať sami.

Pre predajcov a dodávateľov Sony:

Počas montáže, pravidelnej údržby a kontroly tohto produktu venujte plnú pozornosť bezpečnosti.

Informácie o inštalácii Montážna konzola na stenu

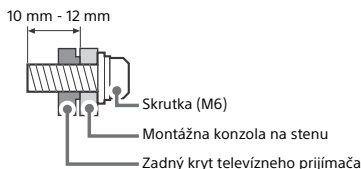
V tomto návode na používanie televízneho prijímača sú uvedené len kroky na prípravu televízneho prijímača na inštaláciu na stenu pred samotnou inštaláciou na stenu. Pokyny na inštaláciu Montážnej konzoly na stenu nájdete na stránke produktu modelu televízneho prijímača v časti Informácie o inštalácii (Montážna konzola na stenu).
<https://www.sony.eu/support>

Príprava pre montáž pomocou konzoly na stenu

Pred inštaláciou TV na stenu podľa Sprievodca nastavením nezabudnite pripevniť stolový stojan.

- Pred pripojením káblov pripravte televízor na montáž Montážnej konzoly na stenu.

- Postupujte podľa návodu, ktorý je dodaný spolu s Montážnou konzolou na stenu pre váš model. Montáž tohto televízneho prijímača vyžaduje adekvátne odborné znalosti. Obzvlášť je potrebné určiť, či je stena dostatočne pevná na to, aby udržala hmotnosť televízneho prijímača.
- Pripevnenie tohto produktu na stenu zverte predajcom alebo licencovaným dodávateľom spoločnosti Sony a počas montáže venujte náležitú pozornosť bezpečnosti. Spoločnosť Sony nezodpovedá za žiadne škody ani zranenia spôsobené nevhodnou manipuláciou alebo nesprávnou montážou.
- Skrutky k Montážna konzola na stenu sa nedodávajú.
- Inštaláciu upevnenia na stenu môže uskutočňovať iba kvalifikovaný pracovný servis.
- Z bezpečnostných dôvodov rozhodne odporúčame používať príslušenstvo značky Sony, ako napr.:
 - Montážna konzola na stenu SU-WL450
- Na pripevnenie Montážnej konzoly na stenu k TV prijímaču použite skrutky dodané s Montážnou konzolou na stenu. Dodané skrutky, znázornené na ilustrácii, sú merané od pripevňovacieho povrchu Montážnej konzoly na stenu. Priemer a dĺžka skrutky závisia od modelu Montážnej konzoly na stenu. Použitie iných ako dodávaných skrutiek môže mať za následok vnútorné poškodenie televízneho prijímača, alebo spôsobiť jeho pád atď.

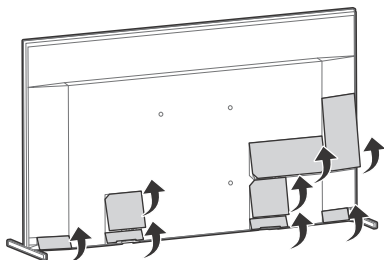


- Nepoužívané skrutky a stolový stojan uchovávajte na bezpečnom mieste, kým nie ste pripravení na pripevnenie stolového stojana. Skrutky uchovávajte mimo dosahu detí.

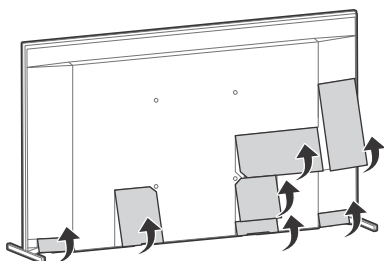
* Len v obmedzených oblastiach/krajinách/modeloch TV prijímačov.

1 Demontujte kryty koncoviek.

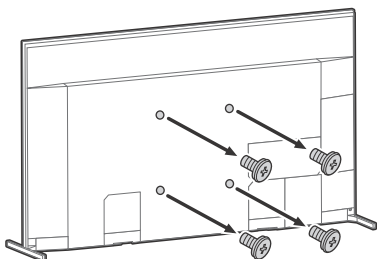
KD-85ZH8



KD-75ZH8



2 Odmontujte skrutky zo zadnej časti televízneho prijímača.



Riešenie problémov

Všeobecné riešenie problémov, ako sú: čierna obrazovka, žiadny zvuk, zamrznutý obraz, televízny prijímač nereaguje alebo sa stratila sieť, vykonajte nasledujúce kroky.

- 1 Reštartujte televízny prijímač stlačením hlavného vypínača na diaľkovom ovládači približne na päť sekúnd. Televízny prijímač sa reštartuje. Ak televízny prijímač nezačne fungovať, skúste odpojiť sieťový kábel. Potom stlačte hlavný vypínač na televízore a uvoľnite ho. Počkajte dve minúty a zapojte sieťový šnúru.
- 2 Pozrite ponuku pomocníka stlačením tlačidla **HELP** na diaľkovom ovládači.
- 3 Pripojte televízny prijímač na internet a vykonajte aktualizáciu softvéru. Spoločnosť Sony odporúča udržiavať softvér TV aktualizovaný. Aktualizácie softvéru poskytujú nové funkcie a vylepšenia výkonu.
- 4 Navštívte podpornú webovú stránku spoločnosti Sony (informácie uvedené na konci tejto príručky).

Keď televízny prijímač zapojíte, televízny prijímač sa možno nezapne, aj keď stlačíte tlačidlo hlavného vypínača na diaľkovom ovládači alebo na televíznom prijímači.

Inicializácia systému trvá určitú dobu. Počkajte približne jednu minútu a potom to skúste znova.

Diaľkový ovládač nefunguje.

- Vymeňte batérie.

Heslo rodičovského zámku bolo zabudnuté.

- Zadajte 9999 pre PIN a zadajte nový PIN.



Ďalšie informácie o riešení problémov nájdete v Príručke.

Špecifikácie

Systém

Systém panela: Panel LCD (displej s tekutými kryštálmi), Podsvietenie LED

Systém televízneho vysielania: V závislosti od výberu krajiny a regiónu/modelu televízneho prijímača

Analogový: B/G, D/K, I

Digitálny: DVB-T/DVB-C/DVB-T2*1

Satelit*1: DVB-S/DVB-S2

Systém farieb: PAL/SECAM/NTSC3.58 (len video)/NTSC4.43 (len video)

Kanálový rozsah: V závislosti od výberu krajiny a regiónu/modelu televízneho prijímača

Analogový: UHF/VHF/káblový

Digitálny: UHF/VHF/káblový

Satelit*1: Medzifrekvencia 950-2 150 MHz

Zvukový výstup: 12,5 W + 12,5 W + 12,5 W + 12,5 W + 5 W + 5 W

Bezdrôtová technológia

Protokol IEEE 802.11a/b/g/n/ac

Bluetooth® verzia 4.2

Frekvenčné pásmo/pásma

Frekvenčný rozsah	Výstupný výkon
Bezdrôtová sieť LAN (Televízia)	
2 400-2 483,5 MHz	< 20,0 dBm
5 150-5 250 MHz	< 23,0 dBm
5 250-5 350 MHz	< 20,0 dBm
5 470-5 725 MHz	< 20,0 dBm
5 725-5 850 MHz	< 13,9 dBm
Bluetooth® (Televízia)	
2 400-2 483,5 MHz	< 10,0 dBm
Bluetooth® (Dialkový ovládač)	
2 400-2 483,5 MHz	< 10,0 dBm

Vstupné a výstupné konektory

Anténa/kábel

75 ohmov, externý konektor pre VHF/UHF

Satelitná anténa*1

Konektor samica typu F, 75 ohmov.

DiSEqC 1.0, LNB 13 V/18 V a tón 22 kHz,

Jednokábový rozvod EN50494.

AV IN

Vstup video/audio (mini jack)

HDMI IN 1/2/3/4 (HDCP 2.3 - kompatibilné)

Video:

4096 × 2160p (50, 60 Hz)*2*3, 4096 × 2160p

(24 Hz)*2, 3840 × 2160p (50, 60 Hz)*3,

3840 × 2160p (24, 25, 30 Hz), 1080p (30, 50,

60, 100, 120 Hz), 1080/24p, 1080i (50, 60 Hz),

720p (30, 50, 60 Hz), 720/24p, 576p, 480p,

Formáty PC*4

7680 × 4320p (24, 25, 30, 50, 60 Hz)*4*5,

3840 × 2160p (100, 120 Hz)*4*5

Audio:

V režime eARC (Enhanced Audio Return Channel)

Podrobnosti nájdete v Príručke.

Okrem režimu eARC

5,1 lineárny kanál PCM: 32/44,1/48/88,2/

96/176,4/192 kHz 16/20/24 bitov, Dolby

Audio, Dolby Atmos, DTS

eARC/ARC (Enhanced Audio Return Channel/Audio Return Channel) (len model HDMI IN 3)*6

V režime eARC

Podrobnosti nájdete v Príručke.

V režime ARC

Dvojkanálový lineárny PCM: 48 kHz 16 bitov,

Dolby Audio, Dolby Atmos, DTS

DIGITAL AUDIO OUT (OPTICAL)

Digitálny optický konektor (dvojkanálový

lineárny PCM: 48 kHz 16 bitov, Dolby Audio, DTS)

(Stereo mini konektor)

Slúchadlo

1, 2, 3 (HDD REC)*7

Port v zariadení USB 3 Zariadenie s USB HDD pre funkciu REC)

Port USB 1 a 2 podporujú vysokorýchlostné pripojenie USB (USB 2.0)

Port USB 3 podporuje super vysokorýchlostné pripojenie USB (USB 3.1 Gen 1)



Slot CAM (modul pre podmienený prístup)



LAN

Konektor 10BASE-T/100BASE-TX (V závislosti od prevádzkového prostredia siete sa môže rýchlosť pripojenia meniť. Rýchlosť a kvalita komunikácie nie je pre tento TV prijímač zaručená.)

CENTER SPEAKER IN

Vstup pre stredný reproduktor (prípojný bod)

SK

Napájanie, informácie o produkte a ďalšie

Požiadavky na napájanie

220 V – 240 V striedavého prúdu, 50 Hz

Trieda energetickej účinnosti

KD-85ZH8: C

KD-75ZH8: C

Rožmery obrazovky (merané diagonálne) (Pribl.)

KD-85ZH8: 214,8 cm / 85 palcov

KD-75ZH8: 189,3 cm / 75 palcov

Príkion

V režime [Štandardný]

KD-85ZH8: 487 W

KD-75ZH8: 361 W

V režime [Živý]

KD-85ZH8: 815 W

KD-75ZH8: 590 W

Ročná spotreba energie*8

KD-85ZH8: 675 kWh za rok

KD-75ZH8: 501 kWh za rok

Príkion v pohotovostnom režime*9*10

KD-85ZH8: 0,50 W (63 W v režime aktualizácie softvéru/EPG)

KD-75ZH8: 0,50 W (52 W v režime aktualizácie softvéru/EPG)

Rozlíšenie displeja

7 680 bodov (vodorovne) × 4 320 riadkov (zvisle)

Menovitý výkon

USB 1/2

5 V $\overline{=}$, max. 500 mA

USB 3

5 V $\overline{=}$, max. 900 mA

Rožmery (Pribl.) (š × v × h) (cm)

so stolovým stojanom

Štandardná poloha:

KD-85ZH8: 192,0 × 111,7 × 42,8

KD-75ZH8: 169,6 × 98,6 × 35,6

Zúžená poloha:

KD-85ZH8: 190,4 × 112,0 × 42,8

KD-75ZH8: 168,0 × 98,9 × 35,6

bez stolového stojana

KD-85ZH8: 190,4 × 110,9 × 8,4

KD-75ZH8: 168,0 × 97,7 × 8,4

Šírka stojana (Pribl.) (cm)

Štandardná poloha:

KD-85ZH8: 192,0

KD-75ZH8: 169,6

Zúžená poloha:

KD-85ZH8: 86,5

KD-75ZH8: 62,3

Hmotnosť (Pribl.) (kg)

so stolovým stojanom

Štandardná poloha:

KD-85ZH8: 67,8

KD-75ZH8: 49,9

Zúžená poloha:

KD-85ZH8: 67,3

KD-75ZH8: 49,4

bez stolového stojana

KD-85ZH8: 65,6

KD-75ZH8: 47,9

Iné

Voliteľné príslušenstvo

Montážna konzola na stenu: SU-WL450

Prevádzková teplota: 0 °C – 40 °C

Prevádzková vlhkosť: 10 % – 80 % RH (nekondenzovaná)

*1 Nie všetky televízne prijímače majú technológiu DVB-T2 alebo DVB-S/S2 alebo konektor pre satelitnú anténu.

*2 Keď je vstup 4096 × 2160p a [Široký režim] je nastavený na [Štandardný], rozlíšenie sa zobrazí ako 3840 × 2160p. Na zobrazenie 4096 × 2160p vyberte nastavenie [Široký režim] na [Plný 1] alebo [Plný 2].

*3 Ak si želáte podporu 18 Gb/s, nastavte [Formát signálu HDMI] na Vylepšený formát.

*4 Podrobnosti nájdete v online Prírúčke.

*5 Len HDMI IN 4.

*6 Pripojte audiosystém na HDMI IN 3 pre vedenie audio signálu z televízneho prijímača do audiosystému.

*7 Len v obmedzených oblastiach/krajinách/modeloch TV prijímačov.

*8 Spotreba energie za rok v kWh. Táto hodnota platí pre spotrebu energie v prípade televízneho prijímača, ktorý bude používaný 4 hodiny denne počas 365 dní. Skutočná spotreba energie bude závisieť na spôsobe používania televízneho prijímača.

*9 Uvedený príkion v pohotovostnom režime sa dosiahne, keď televízny prijímač dokončí nevyhnutné vnútorné procesy.

*10 Spotreba energie v pohotovostnom režime sa zvýši po pripojení televízneho prijímača k sieti.

Poznámka

- Dostupnosť voliteľného príslušenstva závisí od krajiny/regiónu/modelu TV prijímača/zásob.
- Dizajn a špecifikácie sa môžu zmeniť bez oznámenia.
- Pri používaní Asistent Google sa môže vyžadovať predplatné za služby a aplikácie, pričom sa na ne môžu vzťahovať ďalšie zmluvné podmienky a/alebo poplatky.

Poznámky k funkcii Digital TV

- Digitálna TV (terestriálne, satelitné a káblové DVB), interaktívne služby a sieťové funkcie nemusia byť dostupné vo všetkých krajinách alebo oblastiach. Niektoré funkcie nemusia byť aktívované alebo nemusia fungovať správne u niektorých poskytovateľov alebo v sieťových prostrediach. Niektorí poskytovatelia TV služieb môžu za svoje služby účtovať poplatok.
- Táto TV podporuje digitálne vysielanie s použitím kodekov MPEG-2, H.264/MPEG-4 AVC a H.265/HEVC, ale nie je možné zaručiť kompatibilitu so signálmi všetkých operátorov/služieb, ktoré sa môžu v priebehu času meniť.

Informácie o ochranných známkach

- Výrazy HDMI, HDMI High-Definition Multimedia Interface a logo HDMI sú obchodnými známkami alebo registrovanými obchodnými známkami spoločnosti HDMI Licensing Administrator, Inc. v Spojených štátoch amerických a ďalších krajinách.
- Dolby, Dolby Vision, Dolby Atmos, Dolby Audio a dvojitý symbol D sú obchodnými značkami spoločnosti Dolby Laboratories. Vyrobené na základe licencie od spoločnosti Dolby Laboratories. Dôverně nezverejnené diela. Autorské právo © 2012-2018 Dolby Laboratories. Všetky práva vyhradené.
- Gracenote, logo a logotyp Gracenote a logo „Powered by Gracenote“ sú registrované ochranné známky alebo ochranné známky spoločnosti Gracenote, Inc., v USA a/alebo v iných krajinách.
- Google, Google Play, Chromecast, YouTube, Android TV a ďalšie súvisiace značky a logá sú ochrannými známkami spoločnosti Google LLC.
- Informácie o patentoch DTS nájdete na adrese <http://patents.dts.com>. Vyrobené na základe licencie od spoločnosti DTS, Inc. DTS, symbol, DTS a symbol znázornené spolu a Digital Surround sú registrované ochranné známky alebo ochranné známky spoločnosti DTS, Inc. v Spojených štátoch a/alebo ďalších krajinách. © DTS, Inc. Všetky práva vyhradené.
- Netflix je registrovaná ochranná známka spoločnosti Netflix, Inc.
- DiSEqC™ je ochranná známka spoločnosti EUTELSAT. Tento TV prijímač podporuje DiSEqC 1.0. Tento TV prijímač nie je určený pre kontrolné motorizované antény.

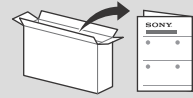
- TUXERA je registrovaná ochranná známka spoločnosti Tuxera Inc. registrovaná v USA a iných krajinách.
- Všetky ostatné ochranné známky sú vlastníctvom príslušných vlastníkov.

Az útmutatókról

A TV-készülékhez a következő útmutatókat melléktük. Kérjük, őrizze meg az útmutatókat későbbi tájékozódás céljából.

Beállítási útmutató

- TV telepítése és beállítása.



Felhasználói útmutató (a jelen útmutató) / Biztonsági dokumentáció

- Biztonsági előírások, távvezérlő, hibaelhárítás, fali konzol felszerelése, műszaki adatok stb.



Súgóútmutató (Képernyőn megjelenő útmutató)

- Beállítások, Android TV funkciók, Internetkapcsolat, hibaelhárítás stb.
- A megnyitáshoz nyomja meg a **HELP** gombot a távirányítón és válassza a Súgóútmutató lehetőséget.



- Okostelefonjáról is elérheti a Súgóútmutatót.



https://rd1.sony.net/help/tv/haep1/h_aep/

FONTOS – Olvassa el a Szoftver végfelhasználói licen szerződését a Sony termék használata előtt. A készülék használatával elfogadja a Szoftver végfelhasználói licen szerződését. Az Ön és a Sony között létrejött szoftver licen szerződés elérhető online a Sony weboldalán (<http://www.sony.net/tv-software-licenses/>) vagy a készülék képernyőjén. Lépjen be a [Beállítások] → [Eszközbeállítások] → [Névjegy] → [Jogi információk] → [Megjegyzések és licencek] menübe.

Erre a rádióberendezésre vonatkozóan az üzembe helyezéssel kapcsolatos következő korlátozások, vagy a használat jóváhagyásával kapcsolatos következő követelmények alkalmazandók ezekben az országokban: AT, BE, HR, CY, CZ, DK, EE, FI, FR, DE, EL, HU, IE, IT, LV, LT, LU, MT, NL, PL, PT, SK, SI, ES, SE, UK, IS, LI, NO, CH, BG, RO, TR, AL, BA, MK, MD, RS, ME, Koszovó : Az 5 150 – 5 350 MHz-es sáv beltéri használatra van korlátozva.

Megjegyzés

- Kérjük, hogy a tv használata előtt olvassa el a következőt: „Biztonsági előírások”.
- További biztonsági előírásokért olvassa el a mellékelt biztonsági dokumentációt.
- A Beállítási útmutatóban, valamint az ebben az útmutatóban szereplő képek és ábrák csak tájékoztató célokat szolgálnak, és eltérhetnek a valós terméktől.
- A típusnévben szereplő „xx” a kialakításra, a színváltozatra vagy a televízió-rendszerre vonatkozó számjegyek felel meg.

Az azonosító címke helye

A típusszám, a gyártási idő (év/hónap) és az áramellátás típusának címkeje a televízió hátulján vagy a csomagolásban található. A címkek a csatlakozófedél eltávolítása után válnak láthatóvá.

FONTOS FIGYELMEZTETÉS

Megjegyzés a rádióberendezéssel kapcsolatban

A Sony Corporation igazolja, hogy a KD-85ZH8, KD-75ZH8 típusú rádiós berendezések megfelelnek a 2014/53/EU irányelv előírásainak. Az EU-megfelelőségi nyilatkozat teljes szövege elérhető a következő internetes címen: <http://www.compliance.sony.eu/>

Megjegyzés a felhasználók számára: a következő tájékoztatás az EU irányelveit alkalmazó országokban értékesített készülékekre vonatkozik.

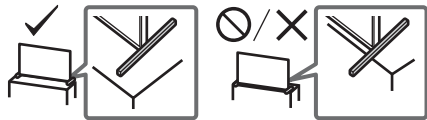
Biztonsági előírások

Üzembe helyezés, beállítás

Tűz, áramütés, anyagi kár vagy sérülés elkerülése érdekében a tv-készüléket az alábbi utasításoknak megfelelően helyezze üzembe és használja.

Üzembe helyezés

- A tv-készüléket egy könnyen elérhető hálózati aljzat közelébe helyezze.
- Helyezze a tv-készüléket stabil, sík felületre, hogy megelőzze annak leesését, ami személyi sérülést, vagy a tulajdon megrongálódását okozhatja.
- Helyezze a tv-készüléket egy olyan helyre, ahonnan nem lehet lerántani, lelökni vagy feldönteni.
- Helyezze el úgy a tv-készüléket, hogy a tv asztali állványra ne lógjon túl a tv-állványon (nincs mellékelve). Ha az asztali állvány túllóg a tv-állványon, az a tv-készülék eldőlését vagy leesését okozhatja, ami személyi sérülést vagy a tv megrongálódását eredményezheti.

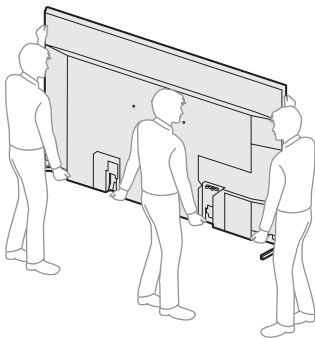


Szállítás

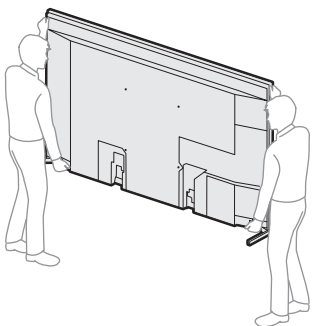
- A tv-készülék szállítása előtt húzza ki az összes kábelt.
- A nagy TV-készülék szállításához legalább két (az KD-85ZH8 esetében legalább három) ember szükséges.

- Ha kézzel szállítja a tv-készüléket, akkor azt az alábbi ábra szerint kell megfogni. Ne gyakoroljon nyomást az LCD-képernyőre és a képernyőt körülvevő keretre.

KD-85ZH8

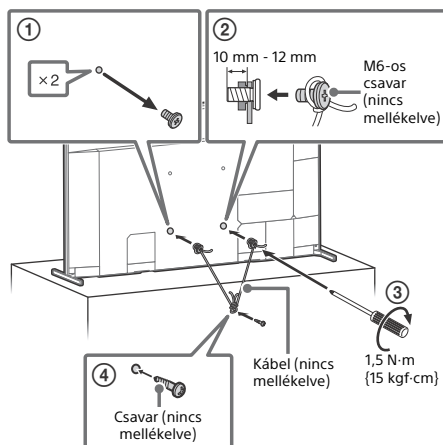


KD-75ZH8

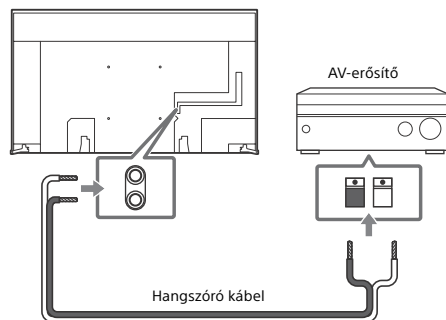


- Amikor szállítja a készüléket, ne tegye ki ütődésnek vagy erős rázkódásnak.
- Ha a készüléket szervizbe szállítja vagy költözködik, mindig csomagolja vissza az eredeti dobozába.

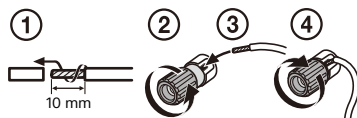
A felborulás megakadályozása



A TV-készülék használata középő hangszóráként



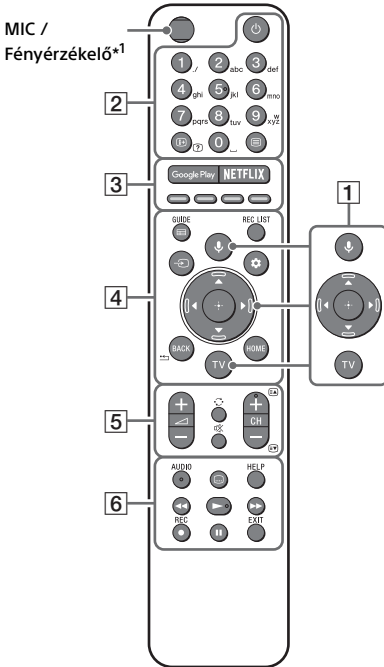
- A kábelek csatlakoztatása előtt a TV és az AV-erősítőre hálózati kábelét is csatlakoztassa le a hálózati feszültségről.
- Ügyeljen arra, hogy a [Hangszóró] beállítás [Audiorendszer] legyen.



Amennyiben a CENTER SPEAKER IN-t nem csatlakoztatta az AV-erősítőhöz, a sistemű elkerülésének céljából kapcsolja ki a [Középő tv-hangszóró üzemmód]. További információért tekintse meg a Súgóútmutatót.

Távvezérlő és TV

A távvezérlő alakja, gombjainak helye, elérhetősége és funkciója a régiótól/országtól/a televízió típusától függően változhat.



- 1** **🔊 (Mikrofon):** Használja a Google Segéd^{*2*} vagy hangalapú keresés^{*3} lehetőségeket. A TV-készülék vezérlésére vonatkozó tanácsokhoz nyomja meg a **🔊 (Mikrofon)** gombot és mondja be a „hangos tanácsok” kifejezést.^{*2}
- ▲/▼/◀/▶/⊕:** A képernyőn történő navigálás és elemkiválasztás eszköze.
- TV:** A TV-csatornák listájának megjelenítése vagy bemenet váltása.

2 **🔊 (Készületi üzemmód)**

Számgombok

ℹ️/? (Információ/Szöveg felfedése):

Információk megjelenítése.

📺 (Teletext): Teletext információk megjelenítése.

3 **Google Play / NETFLIX^{*2} / Színes gombok**

4 **GUIDE/☰:** A TV-készülék vagy Kábel- és műholdvevő digitális műsorújságjának megjelenítése^{*2*}.

REC LIST: Az USB HDD/DVR^{*4} felvételi listájának megjelenítése.

➡️ **(Bemenetváltás):** Jelenítse meg és válassza ki a bemeneti forrást stb.

⚙️ (Gyors beállítások): Gyors beállítások megjelenítése.

BACK/◀️

HOME

5 **⏪ /+/- (Hangerő)**

🔄 (Ugrás)

🔊 (Némítés)^{*5}

CH +/-/⏪/⏩: Válassza ki a csatornát, vagy a következő (⏩) /előző (⏪) oldalt.

6 **AUDIO:** Válassza ki a többnyelvű forrás hangját vagy a kettős hangot (a műsor forrásától függően).

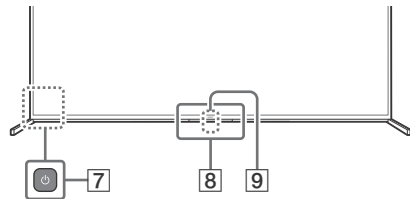
⋮ (Feliratok beállítása)

HELP: Súgó menü megjelenítése.

⏮️/⏪/⏩/⏭️

● **REC:** Az aktuálisan megtekintett műsor rögzítése USB HDD/DVR^{*4} eszközre.

EXIT

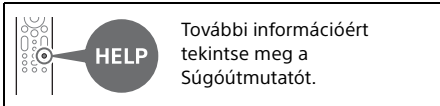


7 **🔌 (Bekapcsolás)**

8 **Távvezérlő érzékelője / Fényérzékelő / LED^{*6}**

9 **Beépített mikrofon^{*2*}3*7:** A beépített mikrofon használatához nyomja meg a **🔊 (Mikrofon)** gombot a távvezérlőn, és kövesse a képernyőn megjelenő utasításokat.

- *1 A távvezérlő háttérvilágítása világít, ha a fényérzékelő túl alacsony környezeti fényt érzékel. A háttérvilágítás automatikus megvilágítása kikapcsolható.
- *2 Csak egyes régiók/országok/TV-készülék típusok/nyelvek esetén.
- *3 A Google Segéd vagy a hangalapú keresés használatához internetkapcsolat szükséges.
- *4 [Kábel- és műholdvedő beállítás] beállítás szükséges.
- *5 A kiegészítő parancsikon elérhető a (Némitás) gomb megnyomásával és nyomva tartásával.
- *6 A beépített mikrofon LED-jét is tartalmazza.
- *7 A készenléti állapot energiafogyasztása nőni fog, mert a beépített mikrofon engedélyezése esetén a mikrofon folyamatosan működik.



A tv felszerelése a falra

Az opcionális Fali konzol használata (SU-WL450)* (nincs mellékelve)

Vásárlóink figyelmébe:

Termék- és baleset-biztonsági okokból a Sony azt tanácsolja, hogy a tv-készülék üzembe helyezését Sony viszonteladó vagy alvállalkozó hajtsa végre. Ne kísérelje meg a termék önálló felszerelését.

Sony viszonteladók és alvállalkozók figyelmébe:

A termék üzembe helyezésekor, rendszeres karbantartásakor és vizsgálatokor maradéktalanul tartson be minden biztonsági óvintézkedést.

Fali konzol felszerelési tájékoztató

A TV jelen használati útmutatója csak a falra történő rögzítés előkészítésének lépéseit mutatja be. A Fali konzolos felszerelésre vonatkozó útmutatásért olvassa el a Fali konzolhoz tartozó felszerelési tudnivalókat az adott TV-típus termékoldalán.
<https://www.sony.eu/support>

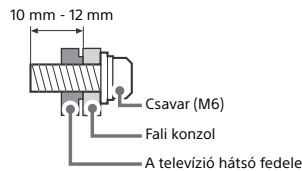
Felkészülés a Fali konzol felszerelésére

A TV falra szerelése előtt a felszerelési útmutatónak megfelelően szerelje fel az asztali állványt.

- A kábelek csatlakoztatása előtt készítse elő a TV-készüléket a Fali konzolra szereléshez.

- Kövesse az adott típus Fali konzoljához mellékelt használati útmutatóban leírtakat. A TV felszerelése megfelelő szaktudást igényel, különösen a készülék súlyát tartó fal teherbírásának megállapítását illetően.
- A készülék falra rögzítését mindig bízva Sony viszonteladóra vagy alvállalkozóra, és szereléskor ügyeljen a biztonságra. A Sony nem vállal felelősséget a gondatlan vagy szakszerűtlen szerelésből eredő személyi sérülésekért vagy anyagi károkért.
- A Fali konzol csavarjai nincsenek mellékelve.
- A készülék falra szerelését szakemberrel végeztesse.
- Biztonsági okokból, határozottan javasolt az eredeti Sony tartozékok használata, közöttük a következők:
—Fali konzol SU-WL450
- A Fali konzolt a Fali konzolhoz mellékelt csavarokkal rögzítse a tv-készülékhez. A mellékelt csavarok kialakítása az ábrának megfelelő, a Fali konzol csatlakozófelületétől mérve.

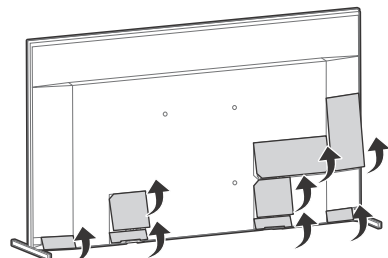
A csavarok hossza és átmérője a Fali konzol típusától függően különböző. A mellékelt csavarok helyett más csavarok használata a tv-készülék belső sérülését eredményezheti, illetve a készülék leesését stb. okozhatja.

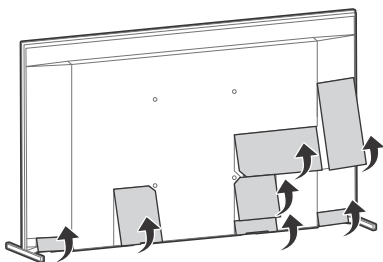


- A nem használt csavarokat és asztali állványt biztonságos helyen tárolja addig, amíg készen nem áll az asztali állvány rögzítésére. A csavarokat kisgyerekek elől tartsa elzárva.

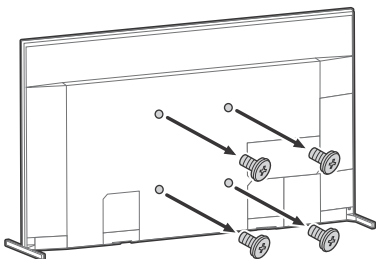
* Csak egyes régiókban/országokban/tv-modellekben.

1 Távolítsa el a csatlakozók fedelét. KD-85ZH8





- 2** Távolítsa el a TV hátulján található csavarokat.



Hibaelhárítás

Általános hibaelhárításhoz az alábbi lépéseket kövesse a következő típusú problémák esetében: fekete képernyő, nincs hang, kimeredett kép, a TV nem reagál, nem található hálózat.

- 1 Indítsa újra a TV-t a távvezérlő bekapcsológombjának körülbelül öt másodpercig tartó megnyomásával. A TV újraindul. Ha a tv nem áll helyre, próbálja kihúzni a tápkábelt a hálózati aljzataból. Majd nyomja meg a TV-n található bekapcsológombot és engedje fel. Várjon két percet, majd csatlakoztassa a hálózati kábelt.
- 2 Tekintse meg a Súgóútmutatót a távvezérlő **HELP** gombjának megnyomásával.
- 3 Csatlakoztassa a TV-t az internethez, és végezzen el egy szoftverfrissítést. A Sony javasolja, hogy a TV szoftverét tartsa mindig a legfrissebb állapotban. A szoftverfrissítések új funkciókat és teljesítménynövekedést kínálnak.

- 4 Keresse fel a Sony támogatási webhelyét (információ a jelen kézikönyv végén található).

Ha bedugja a TV-t, előfordulhat, hogy a TV nem kapcsol be egyből, amikor megnyomja a bekapcsológombot a távvezérlőn vagy a TV-n.

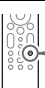
A rendszer inicializálása időt vesz igénybe. Várjon körülbelül egy percet, majd próbálja újra.

A távvezérlő nem működik.

- Cserélje ki az elemeket.

Elfelejtette a szülői zárhoz tartozó jelszót.

- Írja be a 9999 PIN-kódot, és adja meg az új PIN-kódot.



HELP

A hibaelhárítást illető további információért tekintse meg a Súgóútmutatót.

Műszaki adatok

Rendszer

Megjelenítő típusa: LCD (folyadékkristályos kijelző), LED háttérvilágítás

Tv-rendszer: Országtól/területválasztástól/tv-modelltől függően

Analóg: B/G, D/K, I

Digitális: DVB-T/DVB-C/DVB-T2*1

Műhold*1: DVB-S/DVB-S2

Színrendszer: PAL/SECAM/NTSC3.58 (Csak videó)/NTSC4.43 (Csak videó)

Fogható csatornák: Országtól/területválasztástól/tv-modelltől függően

Analóg: UHF/VHF/kábel

Digitális: UHF/VHF/kábel

Műhold*1: 950-2 150 MHz KF frekvencia

Hangkimenet: 12,5 W + 12,5 W + 12,5 W + 12,5 W + 5 W + 5 W

Vezeték nélküli technológia

IEEE 802.11a/b/g/n/ac protokoll

Bluetooth® 4.2-es verzió

Frekvenciasáv(ok)

Frekvenciatartomány	Kimeneti teljesítmény
Vezeték nélküli LAN (Televízió)	
2 400-2 483,5 MHz	< 20,0 dBm
5 150-5 250 MHz	< 23,0 dBm
5 250-5 350 MHz	< 20,0 dBm
5 470-5 725 MHz	< 20,0 dBm
5 725-5 850 MHz	< 13,9 dBm
Bluetooth® (Televízió)	
2 400-2 483,5 MHz	< 10,0 dBm
Bluetooth® (Távvezérlő)	
2 400-2 483,5 MHz	< 10,0 dBm

Bemeneti/kimeneti csatlakozók

Antenna/kábel

75 Ohm külső antennacsatlakozó VHF/ UHF-hez

Műholdantenna*1

F típusú anya csatlakozó, 75 Ohm.
DiSEqC 1.0, LNB 13 V/18 V és 22 kHz-es kapcsolójel, Egykábeles terjesztés EN50494.

AV IN

Video/Audio bemenet (mini csatlakozó)

HDMI IN 1/2/3/4 (HDCP 2.3 kompatibilis)

Video:

4096 × 2160p (50, 60 Hz)*2*3, 4096 × 2160p (24 Hz)*2, 3840 × 2160p (50, 60 Hz)*3, 3840 × 2160p (24, 25, 30 Hz), 1080p (30, 50, 60, 100, 120 Hz), 1080/24p, 1080i (50, 60 Hz), 720p (30, 50, 60 Hz), 720/24p, 576p, 480p, PC formátumok*4
7680 × 4320p (24, 25, 30, 50, 60 Hz)*4*5, 3840 × 2160p (100, 120 Hz)*4*5

Audio:

eARC (Enhanced Audio Return Channel) üzemmódban
Részletes leírást a Súgóútmutatóban talál.
Kivéve eARC üzemmódban
5,1 csatornás lineáris PCM: 32/44,1/48/88,2/96/176,4/192 kHz 16/20/24 bit, Dolby Audio, Dolby Atmos, DTS

eARC/ARC (Enhanced Audio Return Channel/ Audio Return Channel) (Csak HDMI IN 3)*6

eARC üzemmódban
Részletes leírást a Súgóútmutatóban talál.
ARC üzemmódban
Kétszatornás lineáris PCM: 48 kHz 16 bit, Dolby Audio, Dolby Atmos, DTS

DIGITAL AUDIO OUT (OPTICAL)

Digitális optikai csatlakozó (kétszatornás lineáris PCM: 48 kHz 16 bit, Dolby Audio, DTS)

(sztereó mini csatlakozó)

Fejhallgató

1, 2, 3 (HDD REC)*7
USB-eszköz csatlakozója (3 USB HDD-eszköz a FELVÉTEL funkcióhoz)
Az 1. és 2. USB-csatlakozó támogatja a High Speed USB (USB 2.0) szabványt
A 3. USB-csatlakozó támogatja a Super Speed USB (USB 3.1 Gen 1) szabványt



Feltételes hozzáférési modul (CAM) nyílása



LAN

10BASE-T/100BASE-TX csatlakozó (A hálózati környezettől függően a csatlakozási sebesség különbözhet. A kommunikáció sebessége és minősége nem garantált.)

CENTER SPEAKER IN

Center hangszóró bemenete (szorító szerelvény)

Tápellátás, adatlap és egyéb

Tápellátás

220 V – 240 V AC, 50 Hz

Energiahatékonysági osztály

KD-85ZH8: C
KD-75ZH8: C

Képernyőméret (átlósan mérve) (Kb.)

KD-85ZH8: 214,8 cm / 85 hüvelyk
KD-75ZH8: 189,3 cm / 75 hüvelyk

Teljesítményfelvétel

[Normál] üzemmódban

KD-85ZH8: 487 W
KD-75ZH8: 361 W

[Élénk] üzemmódban

KD-85ZH8: 815 W
KD-75ZH8: 590 W

Éves energiafogyasztás*8

KD-85ZH8: 675 kWh évente
KD-75ZH8: 501 kWh évente

Energiafogyasztás készenléti üzemmódban*9*10

KD-85ZH8: 0,50 W (63 W szoftver-/ EPG-frissítési üzemmódban)
KD-75ZH8: 0,50 W (52 W szoftver-/ EPG-frissítési üzemmódban)

Kijelző felbontása

7 680 képpont (vízszintes) × 4 320 sor (függőleges)

Kimeneti áramerősség

USB 1/2
5 V ---, max. 500 mA
USB 3
5 V ---, max. 900 mA

Méretek (Kb.) (szé × ma × mé) (cm)

asztali állvánnyal

Standard pozíció:

KD-85ZH8: 192,0 × 111,7 × 42,8

KD-75ZH8: 169,6 × 98,6 × 35,6

Szűk pozíció:

KD-85ZH8: 190,4 × 112,0 × 42,8

KD-75ZH8: 168,0 × 98,9 × 35,6

asztali állvány nélkül

KD-85ZH8: 190,4 × 110,9 × 8,4

KD-75ZH8: 168,0 × 97,7 × 8,4

Állvány szélessége (Kb.) (cm)

Standard pozíció:

KD-85ZH8: 192,0

KD-75ZH8: 169,6

Szűk pozíció:

KD-85ZH8: 86,5

KD-75ZH8: 62,3

Tömeg (Kb.) (kg)

asztali állvánnyal

Standard pozíció:

KD-85ZH8: 67,8

KD-75ZH8: 49,9

Szűk pozíció:

KD-85ZH8: 67,3

KD-75ZH8: 49,4

asztali állvány nélkül

KD-85ZH8: 65,6

KD-75ZH8: 47,9

Egyebek

Külön megvásárolható tartozékok

Fali konzol: SU-WL450

Üzemi hőmérséklet: 0 °C – 40 °C között

Működési páratartalom: 10 % – 80 % RH relatív páratartalom között (kicsapódás nélkül)

*1 Nem minden tv rendelkezik DVB-T2 vagy DVB-S/S2 technológiával vagy műholdantenna-terminállal.

*2 Ha a bemenet felbontása 4096 × 2160p, és a [Szélesvásznú mód] beállítás értéke [Normál], a megjelenített kép felbontása 3840 × 2160p. 4096 × 2160p felbontás megjelenítéséhez állítsa a [Szélesvásznú mód] beállítást [Teljes 1] vagy [Teljes 2] értékre.

*3 A 18 Gb/s támogatásához válassza ki a [HDMI-jelformátum] lehetőséget a Javitott formátum beállításnál.

*4 Részletes leírást az online Súlyútmutatóban talál.

*5 Csak HDMI IN 4.

*6 Csatlakoztassa hangrendszerét a HDMI IN 3 aljzathoz, hogy a TV audiojelei eljussanak a hangrendszeréhez.

*7 Csak egyes régiókban/országokban/ tv-modellekben.

*8 Energiafogyasztás kWh/év értékben kifejezve, amely adat olyan televíziókészülék teljesítményfelvételén alapul, amelyet 365 napon keresztül napjában 4 órát üzemeltetnek. A tényleges energiafogyasztás a televízió használati módjától függ.

*9 A megadott készleteti energiafogyasztást akkor érti el a tv-készülék, miután befejezte a szükséges belső folyamatokat.

*10 Ha a tv-készülék csatlakoztatva van a hálózathoz, az energiafogyasztás készleteti üzemmódban megnő.

Megjegyzés

- A külön megvásárolható tartozékok elérhetősége az országtól/régiótól/tv-típus/árúkesztlettől függ.
- A forma és a műszaki adatok előzetes bejelentés nélkül megváltozhatnak.
- A Google Segéd használatához különböző szolgáltatásokra és alkalmazásokra történő előfizetésre lehet szükség, valamint további feltételek és/vagy költségek merülhetnek fel.

Megjegyzések a digitális tv-funkcióról

- Előfordulhat, hogy a digitális TV (digitális földfelszíni videoadás, műholdas- és kábeltelvízió), az interaktív szolgáltatások és a hálózati funkciók nem érhetők el minden országban vagy területen. Lehetséges, hogy egyes funkciók nincsenek engedélyezve vagy nem működnek megfelelően bizonyos szolgáltatók és hálózati környezetek használata esetén. Egyes TV-szolgáltatók díjat számolhatnak fel a szolgáltatásaikért.
- Ez a TV támogatja az MPEG-2, H.264/ MPEG-4 AVC és H.265/HEVC kodekeket használó digitális műsorszolgáltatást, de nem garantálható, hogy az idővel esetlegesen változó összes szolgáltatóval/szolgáltatásjellel kompatibilis lesz.

Védjegyekkel kapcsolatos információk

- A HDMI és a HDMI High-Definition Multimedia Interface kifejezések, valamint a HDMI embléma a HDMI Licensing Administrator, Inc. védjegyei vagy bejegyzett védjegyei az Amerikai Egyesült Államokban és más országokban.
- A Dolby, Dolby Vision, Dolby Atmos, Dolby Audio, és a dupla D szimbólum a Dolby Laboratories védjegyei. A gyártás a Dolby Laboratories licencengedélyével történt. Bizalmas kiadatlan anyagok. Dolby Laboratories © 2012-2018 szerzői joga. Minden jog fenntartva.
- A Gracenote, a Gracenote embléma és szöveges logó és a „Powered by Gracenote” embléma a Gracenote, Inc. vállalat védjegye vagy bejegyzett védjegye az Egyesült Államokban és/vagy más országokban.

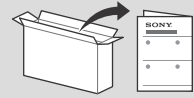
- A Google, a Google Play, a Chromecast, a YouTube, az Android TV és az egyéb kapcsolódó jelzések és emblémák a Google LLC védjegyei.
- DTS-szabadalmakról lásd a <http://patents.dts.com> webhelyet. Készült a DTS, Inc. licence alapján. A DTS, a szimbólum, valamint a DTS és a szimbólum együtt, és a Digital Surround a DTS, Inc. bejegyzett védjegyei vagy védjegyei az Amerikai Egyesült Államokban és/vagy más országokban. © DTS, Inc. Minden jog fenntartva.
- A Netflix a Netflix, Inc. bejegyzett védjegye.
- A DiSEqC™ az EUTELSAT védjegye. Ez a tv-készülék támogatja a DiSEqC 1.0 szabványt. Ez a tv-készülék nem motoros antennák vezérlésére lett tervezve.
- A TUXERA a Tuxera Inc. cég Egyesült Államokban és más országokban bejegyzett védjegye.
- Minden egyéb védjegy a megfelelő tulajdonosok tulajdonát képezi.

Despre manuale

Acest televizor este livrat împreună cu următoarele manuale. Vă rugăm să păstrați aceste manuale pentru a le consulta pe viitor.

Ghid de configurare

- Instalare și configurare televizor.



Ghid de referință (acest manual) / Documentație privind siguranța

- Informații privind siguranța, telecomandă, depanare, instalare pe perete, specificații etc.



Ghid de asistență (manual pe ecran)

- Setări, funcții Android TV, conexiune la internet, depanare etc.
- Pentru a-l deschide, apăsați butonul **HELP** de pe telecomandă și selectați Ghid de asistență.



- Puteți consulta Ghidul de asistență cu smartphone-ul dumneavoastră.



https://rd1.sony.net/help/tv/haep1/h_aep/

IMPORTANT – Citiți Acordul de licență pentru utilizatorul final al software-ului înainte de a utiliza produsul Sony. Utilizarea produsului dumneavoastră indică acceptarea acordului de licență pentru utilizatorul final al software-ului. Acordul de licență software între dumneavoastră și Sony este disponibil online pe site-ul Sony (<http://www.sony.net/tv-software-licenses/>) sau pe ecranul produsului dumneavoastră. Accesați [Setări] → [Preferințe privind dispozitivul] → [Despre] → [Informații de ordin juridic] → [Avize și licențe].

Pentru acest echipament radio, următoarele restricții privind punerea în funcțiune sau cerințele de autorizare a utilizării sunt valabile în AT, BE, HR, CY, CZ, DK, EE, FI, FR, DE, EL, HU, IE, IT, LV, LT, LU, MT, NL, PL, PT, SK, SI, ES, SE, UK, IS, LI, NO, CH, BG, RO, TR, AL, BA, MK, MD, RS, ME, Kosovo : Banda de 5.150 - 5.350 MHz este restricționată la utilizarea în spații închise.

Informații privind siguranța

Notă

- Înainte de a utiliza televizorul, vă rugăm să citiți „Informații privind siguranța”.
- Pentru detalii suplimentare, citiți documentația furnizată privind siguranța.
- Imaginile și ilustrațiile utilizate în Ghidul de configurare și în acest manual au scop doar de referință și pot diferi față de produsul real.
- Simbolul „xx” care apare în numele modelului corespunde unei cifre numerice, aferente designului, culorii sau sistemului TV.

Instalare/Configurare

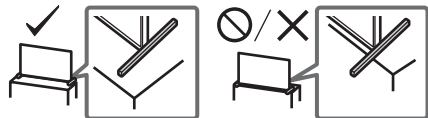
Instalați și utilizați televizorul conform instrucțiunilor prezentate în continuare, pentru a evita riscurile de incendii, șocurile electrice sau deteriorări/răniri.

Instalarea

- Televizorul trebuie instalat în apropierea unei prize ușor accesibile.
- Așezați televizorul pe o suprafață dreaptă și stabilă, pentru a evita căderea acestuia și vătămarea corporală sau pagubele materiale.
- Instalați televizorul într-un loc de unde nu poate fi tras, împins sau răsturnat.
- Instalați televizorul astfel încât suportul de masă al acestuia să nu iasă în afara suportului de televizor (neinclus). Dacă suportul de masă iese în afara suportului de televizor, este posibil ca televizorul să se răstoarne, să cadă și să provoace vătămări corporale sau să se deterioreze.

Unde se află eticheta de identificare

Etichetele cu numărul modelului, data fabricației (an/lună) și tensiunea de alimentare se află în partea posterioară a televizorului sau pe ambalaj. Acestea pot fi găsite prin demontarea capacului terminalului.



INFORMAȚIE IMPORTANTĂ

Observație cu privire la echipamentul radio

Prin prezenta, Sony Corporation declară că tipurile de echipament radio KD-85ZH8, KD-75ZH8 sunt în conformitate cu Directiva 2014/53/UE. Textul integral al declarației UE de conformitate este disponibil la următoarea adresă internet: <http://www.compliance.sony.eu/>

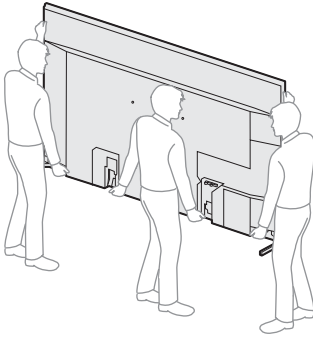
Notificare către clienți: informațiile de mai jos sunt valabile numai pentru echipamentele comercializate în țările unde se aplică directivele UE.

Transportul

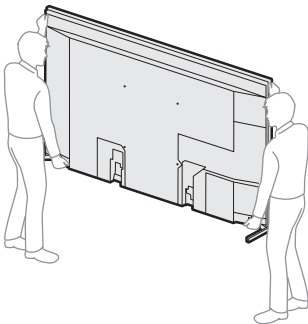
- Înainte de a deplasa televizorul, decuplați toate cablurile.
- La transportul unui televizor de mari dimensiuni, este recomandată participarea a două sau trei persoane (trei sau mai multe persoane pentru KD-85ZH8).

- Când transportați manual aparatul TV, susțineți-l așa cum este prezentat mai jos. Nu forțați panoul LCD sau cadrul din jurul ecranului.

KD-85ZH8

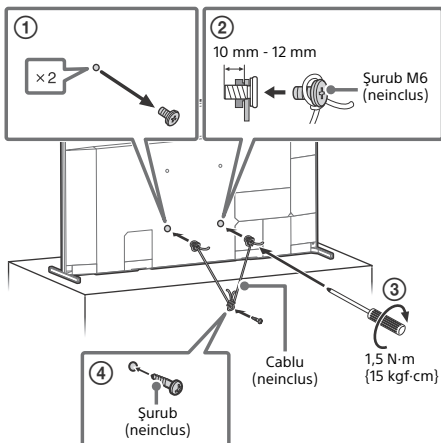


KD-75ZH8

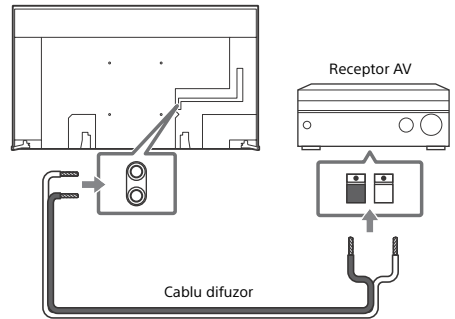


- Feriți televizorul de șocuri mecanice și de vibrații prea puternice în timpul transportului.
- Când duceți aparatul la reparat sau când vă mutați, folosiți ambalajul original.

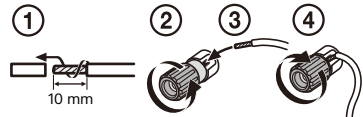
Asigurarea stabilității



Utilizarea televizorului ca difuzor central



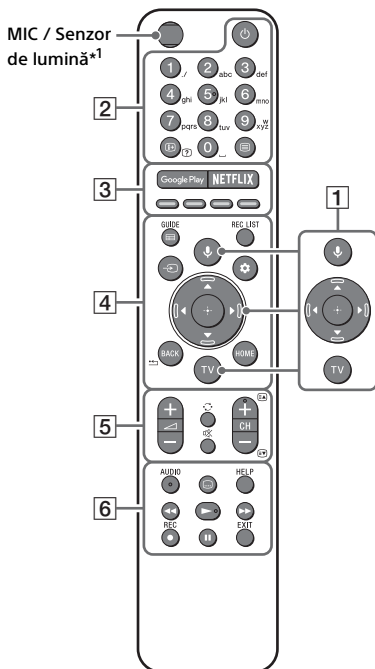
- Înainte de conectarea cablurilor, deconectați cablurile de alimentare de la rețea pentru TV și Receptorul AV.
- Asigurați-vă că [Redare sunet] este setat la [Sistem Audio].



Pentru a preveni apariția unui sunet de șuierat atunci când nu conectați CENTER SPEAKER IN la un receptor AV, dezactivați [Mod Difuzor central TV]. Pentru mai multe informații, consultați Ghidul de asistență.

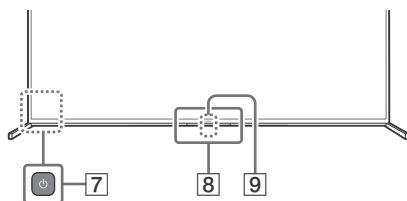
Telecomanda și televizorul

Forma, amplasarea, disponibilitatea și funcționarea butoanelor telecomenzii pot varia în funcție de regiune/țară/modelul televizorului.



- 1** **🎤 (Microfon):** Utilizați Asistentul Google*^{2*3} sau căutarea vocală*³. Pentru indicii despre controlul televizorului dumneavoastră, apăsați butonul **🎤 (Microfon)** și rostiți expresia „indicii vocale”.^{*2}
- ▲/▼/◀/▶/⊕:** Parcurgerea și selectarea opțiunilor de meniu afișate pe ecran.
- TV:** Afișați lista de canale TV sau comutați la intrare.
- 2** **🔌 (TV standby)**
- Butoane numerice**
- ℹ️/? (Afișare informații/text):** Afișează informații.
- ☰ (Text):** Afișează informații de tip text.
- 3** **Google Play / NETFLIX*² / Butoane colorate**

- 4** **GUIDE/☰:** Afișați ghidul digital de programe al televizorului sau al receptorului de cablu/satelit*^{2*4}.
- REC LIST:** Afișarea listei de înregistrări pentru hard diskul USB/DVR*⁴.
- ➔ **(Selectarea intrării):** Afișarea și selectarea sursei de intrare etc.
- ⚙️ (Setări rapide):** Afișarea setărilor rapide.
- BACK/◀️**
- HOME**
- 5** **↔️ +/- (Volum)**
- 🔄 (Salt)**
- 🔇 (Anulare sunet)*⁵**
- CH +/-/⏪/⏩:** Selectați canalul sau pagina următoare (⏪) / anterioară (⏩).
- 6** **AUDIO:** Selectați sunetul sursei multilingve sau sunetul dublu (în funcție de sursa programului).
- ⋮ (Setări subtitrare)**
- HELP:** Afișează meniul de asistență.
- ◀️/▶️/⏪/⏩/⏸️**
- REC:** Înregistrați programul vizionat în momentul acesta pe hard diskul USB/DVR*⁴.
- EXIT**

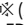


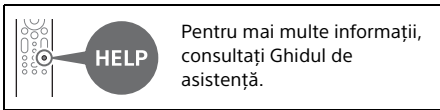
- 7** **🔌 (Alimentare)**
- 8** **Senzor telecomandă / Senzor de lumină / LED*⁶**
- 9** **Microfon încorporat*^{2*3*7}:** Pentru a activa microfonul încorporat, apăsați butonul **🎤 (Microfon)** de pe telecomandă și urmați instrucțiunile afișate pe ecran.

*1 Lumina de fundal a telecomenzii se va aprinde atunci când senzorul de lumină detectează că lumina ambientală este scăzută. Aprinderea automată a luminii de fundal poate fi dezactivată.

*2 Numai pentru anumite țări/regiuni/modele de televizor/limbi.

*3 Asistentul Google sau căutarea vocală necesită o conexiune la internet.

- *4 Este necesară setarea [Configurare receptor de cablu/satelit].
- *5 Comanda rapidă pentru accesibilitate este disponibilă apăsând și menținând apăsat  (Anulare sunet).
- *6 LED-ul microfonului încorporat este, de asemenea, inclus.
- *7 Consumul de energie în standby va crește, deoarece microfonul încorporat ascultă încontinuu atunci când este activat.



Montarea televizorului pe perete

Utilizarea Dispozitiv de montare pe perete (SU-WL450)* (neinclus)

Pentru clienți:

Pentru protecția produsului și din motive de siguranță, Sony recomandă insistent ca instalarea televizorului să fie efectuată numai de către dealeri Sony sau contractori licențiați. Nu încercați să îl instalați dumneavoastră înșivă pe perete.

Pentru distribuitorii Sony și contractanți:

Acordați atenție maximă aspectelor de siguranță în timpul instalării, întreținerii periodice și examinării produsului.

Informații de instalare a Dispozitivului de montare pe perete

În prezentul manual de instrucțiuni al televizorului sunt descriși numai pașii necesari pregătirii televizorului pentru instalarea pe suportul de fixare pe perete înainte de a-l monta efectiv pe perete. Pentru instrucțiuni privind instalarea Dispozitivului de montare pe perete, consultați informațiile de instalare (Dispozitiv de montare pe perete) de pe pagina produsului pentru modelul televizorului dumneavoastră.

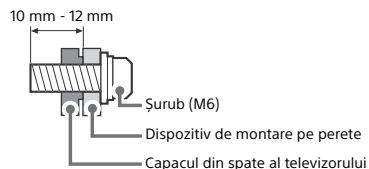
<https://www.sony.eu/support>

Pregătirea pentru montarea pe perete

Asigurați-vă că atașați suportul de masă înainte de instalarea TV-ului pe perete, consultând Ghidul de configurare.

- Pregătiți televizorul pentru Dispozitiv de montare pe perete înainte de a realiza conexiunile cablurilor.

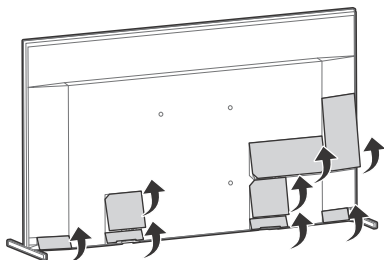
- Respectați ghidul de instrucțiuni furnizat împreună cu Dispozitiv de montare pe perete pentru modelul dumneavoastră. Este necesară o experiență suficientă pentru instalarea acestui televizor, mai ales pentru a stabili rezistența peretelui pentru a susține greutatea televizorului.
- Încredințați montajul acestui produs pe perete distribuitorilor Sony sau contractorilor licențiați și acordați o atenție adecvată aspectelor de siguranță în timpul instalării. Sony nu este responsabilă pentru daune materiale sau vătămări corporale cauzate de manipularea eronată sau instalarea necorespunzătoare.
- Șuruburile pentru Dispozitivul de montare pe perete nu sunt furnizate.
- Instalarea televizorului pe perete trebuie executată numai de către persoane calificate.
- Din motive de siguranță, se recomandă cu insistență utilizarea accesoriilor Sony, inclusiv: –Dispozitiv de montare pe perete SU-WL450
- Asigurați-vă că folosiți șuruburile furnizate cu Dispozitivul de montare pe perete atunci când montați Dispozitivul de montare pe perete la aparatul TV. Șuruburile furnizate sunt indicate conform ilustrației atunci când măsurarea se face de la suprafața de montare a Dispozitivului de montare pe perete. Diametrul și lungimea șuruburilor diferă în funcție de modelul Dispozitivului de montare pe perete. Utilizarea altor șuruburi decât a celor furnizate poate avea ca rezultat deteriorarea internă a televizorului sau căderea acestuia, etc.



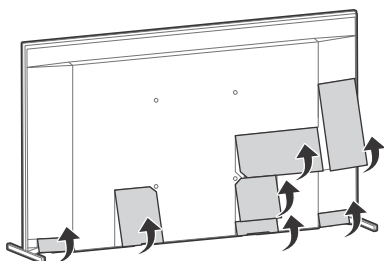
- Nu omiteți să depozitați șuruburile și suportul de masă la loc sigur până ce sunteți gata să fixați suportul de masă. Nu lăsați șuruburile la îndemâna copiilor.

* Numai pentru anumite țări/regiuni/modele de televizor.

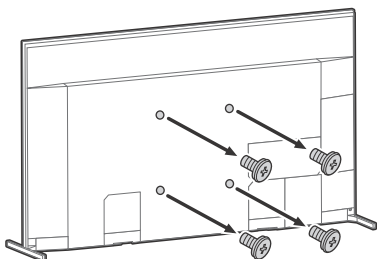
1 Scoateți capacele terminalelor. KD-85ZH8



KD-75ZH8



2 Scoateți șuruburile de pe partea din spate a televizorului.



Depanare

Pentru remedierea problemelor precum: ecran negru, lipsa sunetului, imagine statică, televizorul nu răspunde la comenzi sau pierderea conexiunii la rețea, efectuați pașii de mai jos.

- 1 Reporniți televizorul prin apăsarea butonului de pornire/oprire de pe telecomandă pentru aproximativ cinci secunde. Televizorul repornește. Dacă problema televizorului nu se remediază, încercați să scoateți cablul de alimentare din priză. Apoi apăsați butonul de pornire/oprire de pe televizor și apoi eliberați-l. Așteptați două minute, apoi conectați la rețea cablul de alimentare.
- 2 Consultați meniul de asistență prin apăsarea butonului **HELP** de pe telecomandă.
- 3 Conectați televizorul la internet și actualizați software-ul. Sony vă recomandă să păstrați software-ul TV-ului actualizat. Actualizările software oferă caracteristici noi și îmbunătățiri de performanță.
- 4 Vizitați site-ul de asistență Sony (informațiile necesare se află la sfârșitul acestui manual).

După ce introduceți cablul de alimentare în priză, este posibil ca televizorul să nu pornească pentru un timp, chiar dacă apăsați butonul de pornire/oprire de pe telecomandă sau de pe televizor.

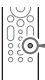
Inițializarea sistemului durează un anumit timp. Așteptați aproximativ un minut, apoi încercați din nou.

Telecomanda nu funcționează.

- Înlocuiți bateriile.

Ați uitat codul pentru blocarea accesului copiilor.

- Introduceți 9999 pentru PIN și introduceți noul PIN.

	HELP	Pentru mai multe informații privind depanarea, consultați Ghidul de asistență.
---	-------------	--

Specificații

Sistem

Tip de panou: Panou LCD (Liquid Crystal Display - Afișaj cu cristale lichide), Retroiluminare cu leduri

Sistem TV: în funcție de țara/regiunea aleasă/modelul televizorului

Analogic: B/G, D/K, I

Digital: DVB-T/DVB-C/DVB-T2*1

Satelit*1: DVB-S/DVB-S2

Sistem culoare: PAL/SECAM/NTSC3.58 (Numai video)/NTSC4.43 (Numai video)

Acoperire canale: în funcție de țara/regiunea aleasă/modelul televizorului

Analogic: UHF/VHF/Cablu

Digital: UHF/VHF/Cablu

Satelit*1: Frecvență IF 950-2.150 MHz

Leșire audio: 12,5 W + 12,5 W + 12,5 W + 12,5 W + 5 W + 5 W

Tehnologie wireless

Protocol IEEE 802.11a/b/g/n/ac

Bluetooth® versiunea 4.2

Bandă (benzi) de frecvență

Gama de frecvență	Putere de ieșire
LAN wireless (Televizor)	
2.400-2.483,5 MHz	< 20,0 dBm
5.150-5.250 MHz	< 23,0 dBm
5.250-5.350 MHz	< 20,0 dBm
5.470-5.725 MHz	< 20,0 dBm
5.725-5.850 MHz	< 13,9 dBm
Bluetooth® (Televizor)	
2.400-2.483,5 MHz	< 10,0 dBm
Bluetooth® (Telecomandă)	
2.400-2.483,5 MHz	< 10,0 dBm

Mufe intrare/ieșire

Antenă (exterioară)/cablu

Bornă externă 75 ohm pentru VHF/UHF

Antenă de satelit*1

Conector mamă de tip F, 75 ohm.

DiSEqC 1.0, LNB 13 V/18 V & ton 22 kHz,

Distribuție printr-un singur cablu EN50494.

 /  AV IN

Intrare video/audio (mini mufă)

HDMI IN 1/2/3/4 (Compatibil cu HDCP 2.3)

Video:

4096 × 2160p (50, 60 Hz)*2*3, 4096 × 2160p (24 Hz)*2, 3840 × 2160p (50, 60 Hz)*3, 3840 × 2160p (24, 25, 30 Hz), 1080p (30, 50, 60, 100, 120 Hz), 1080/24p, 1080i (50, 60 Hz), 720p (30, 50, 60 Hz), 720/24p, 576p, 480p, Formate PC*4

7680 × 4320p (24, 25, 30, 50, 60 Hz)*4*5, 3840 × 2160p (100, 120 Hz)*4*5

Audio:

În modul eARC (Enhanced Audio Return Channel)

Pentru detalii, consultați ghidul de asistență.

Cu excepția modului eARC

PCM liniar pe 5,1 canale: 32/44,1/48/88,2/96/176,4/192 kHz 16/20/24 biți, Dolby Audio, Dolby Atmos, DTS

eARC/ARC (Enhanced Audio Return Channel/Audio Return Channel) (Numai HDMI IN 3)*6

În modul eARC

Pentru detalii, consultați ghidul de asistență.

În modul ARC

PCM liniar pe două canale: 48 kHz 16 biți, Dolby Audio, Dolby Atmos, DTS


 DIGITAL AUDIO OUT (OPTICAL)

Mufă optică digitală (PCM liniar pe două canale: 48 kHz 16 biți, Dolby Audio, DTS)

 (Mini mufă stereo)

Căști

 1,  2,  3 (HDD REC)*7

Port dispozitiv USB ( 3 dispozitive HDD USB pentru caracteristica REC)

Porturile USB 1 și 2 sunt compatibile cu High Speed USB (USB de mare viteză) (USB 2.0)

Portul USB 3 este compatibil cu Super Speed USB (USB de foarte mare viteză) (USB 3.1 Gen 1)



Slot CAM (modul de acces condiționat)



LAN

Conector 10BASE-T/100BASE-TX (În funcție de mediul de funcționare a rețelei, viteza conexiunii poate varia. Viteza de comunicare și calitatea nu sunt garantate.)

CENTER SPEAKER IN

Intrare boxă centrală (postare legată)

RO

Alimentare, date tehnice ale produsului și altele

Cerințe de alimentare

220 V - 240 V c.a., 50 Hz

Clasă de eficiență energetică

KD-85ZH8: C

KD-75ZH8: C

Dimensiunea ecranului (măsurată pe diagonală) (aprox.)

KD-85ZH8: 214,8 cm / 85 țoli

KD-75ZH8: 189,3 cm / 75 țoli

Consum de putere

În modul [Standard]

KD-85ZH8: 487 W

KD-75ZH8: 361 W

În modul [Strălucitor]

KD-85ZH8: 815 W

KD-75ZH8: 590 W

Consumul de energie anual*8

KD-85ZH8: 675 kWh pe an

KD-75ZH8: 501 kWh pe an

Consum de energie în modul standby*9*10

KD-85ZH8: 0,50 W (63 W în modul software/
actualizare program)

KD-75ZH8: 0,50 W (52 W în modul software/
actualizare program)

Rezoluție ecran

7.680 puncte (pe orizontală) × 4.320 linii (pe verticală)

Mărimi de ieșire nominale

USB 1/2

5 V $\overline{=}$, 500 mA max.

USB 3

5 V $\overline{=}$, 900 mA max.

Dimensiuni (aprox.) (l x h x L) (cm)

cu suport de masă

Poziția standard:

KD-85ZH8: 192,0 × 111,7 × 42,8

KD-75ZH8: 169,6 × 98,6 × 35,6

Poziția îngustă:

KD-85ZH8: 190,4 × 112,0 × 42,8

KD-75ZH8: 168,0 × 98,9 × 35,6

fără suport de masă

KD-85ZH8: 190,4 × 110,9 × 8,4

KD-75ZH8: 168,0 × 97,7 × 8,4

Lățime suport (aprox.) (cm)

Poziția standard:

KD-85ZH8: 192,0

KD-75ZH8: 169,6

Poziția îngustă:

KD-85ZH8: 86,5

KD-75ZH8: 62,3

Masă (aprox.) (kg)

cu suport de masă

Poziția standard:

KD-85ZH8: 67,8

KD-75ZH8: 49,9

Poziția îngustă:

KD-85ZH8: 67,3

KD-75ZH8: 49,4

fără suport de masă

KD-85ZH8: 65,6

KD-75ZH8: 47,9

Altele

Accesorii opționale

Dispozitiv de montare pe perete: SU-WL450

Temperatură de utilizare: 0 °C – 40 °C

Umiditate de funcționare: UR 10 % - 80 % (fără condens)

*1 Nu toate modelele de televizoare dispun de tehnologia DVB-T2 sau DVB-S/S2 sau de mufă pentru antena de satelit.

*2 Atunci când se utilizează 4096 × 2160p și [Mod panoramic] este setat la [Normal], rezoluția este afișată ca 3840 × 2160p. Pentru a afișa 4096 × 2160p, setați opțiunea [Mod panoramic] la [Complet 1] sau la [Complet 2].

*3 Pentru a accepta 18 Gbps, setați [Formatul semnalului HDMI] la Format îmbunătățit.

*4 Pentru detalii, consultați Ghidul de asistență online.

*5 Numai HDMI IN 4.

*6 Conectați sistemul audio la HDMI IN 3 pentru a transmite semnalele audio ale televizorului la sistemul audio.

*7 Numai pentru anumite țări/regiuni/modele de televizor.

*8 Consum de energie pe an în kWh, în baza consumului de energie al televizorului, când este în funcțiune 4 ore pe zi pe o perioadă de 365 de zile. Consumul real de energie va depinde de modul în care este utilizat televizorul.

*9 Puterea specificată în modul standby este atinsă după ce televizorul încheie procesele interne necesare.

*10 Consumul de energie în modul standby va crește atunci când televizorul dumneavoastră este conectat la rețea.

Notă

- Accesoriile opționale sunt disponibile în funcție de țări/regiune/modelul televizorului/stoc.
- Designul și specificațiile se pot modifica fără notificare prealabilă.
- Pot fi necesare abonamente pentru servicii și aplicații și se pot aplica termeni, condiții și/sau taxe suplimentare atunci când utilizați Asistentul Google.

Note privind televiziunea digitală

- Canalele digitale (prin antenă DVB, satelit și cablu), serviciile interactive și funcțiile de rețea pot să nu fie disponibile în toate țările sau regiunile. Este posibil ca unele funcții să nu poată fi activate sau să nu funcționeze corect cu anumiți furnizori de servicii și medii de rețea. Unii furnizori pot solicita taxe pentru serviciile oferite.
- Acest televizor acceptă posturi digitale prin folosirea codecurilor MPEG-2, H.264/MPEG-4 AVC și H.265/HEVC, dar compatibilitatea cu semnalele tuturor operatorilor/serviciilor, care se pot schimba în timp, nu poate fi garantată.

Informații legate de mărci

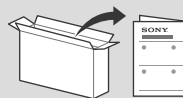
- Termenii HDMI, HDMI High-Definition Multimedia Interface și sigla HDMI sunt mărci comerciale sau mărci comerciale înregistrate ale HDMI Licensing Administrator, Inc. în Statele Unite și în alte țări.
- Simbolurile Dolby, Dolby Vision, Dolby Atmos, Dolby Audio, și double-D sunt mărci comerciale ale Dolby Laboratories. Fabricat sub licență de la Dolby Laboratories. Lucrări nepublicate confidențiale. Drepturi de autor © 2012-2018 Dolby Laboratories. Toate drepturile rezervate.
- Gracenote, sigla și logotipul Gracenote și sigla „Powered by Gracenote” sunt mărci comerciale înregistrate sau mărci comerciale ale Gracenote, Inc. în Statele Unite și/sau alte țări.
- Google, Google Play, Chromecast, YouTube, Android TV și alte mărci și sigle conexe sunt mărci comerciale deținute de Google LLC.
- Pentru informații despre brevetele DTS, vizitați <http://patents.dts.com>. Fabricat sub licență primită de la DTS, Inc. DTS, simbolul, DTS și simbolul împreună și Digital Surround sunt mărci comerciale înregistrate sau mărci înregistrate ale DTS Inc. în Statele Unite ale Americii și/sau în alte țări. © DTS, Inc. Toate drepturile rezervate.
- Netflix este marcă comercială înregistrată a Netflix, Inc.
- DiSEqC™ este marcă comercială a EUTELSAT. Acest televizor acceptă DiSEqC 1.0. Acest televizor nu este proiectat pentru controlul antenelor motorizate.
- TUXERA este marcă comercială înregistrată a Tuxera Inc. în S.U.A. și în alte țări.
- Toate celelalte mărci comerciale sunt proprietatea respectivilor deținători.

За ръководствата

Този телевизор се предлага със следните ръководства. Моля, запазете ръководствата за бъдещи справки.

Ръководство за настройка

- Инсталиране и настройка на телевизора.



Информация за продукта (това ръководство) / Документация за безопасност

- Информация за безопасност, дистанционно управление, отстраняване на неизправности, монтаж на стена, спецификация и т.н.



Помощно ръководство (Ръководство на екрана)

- Настройки, функции на Android телевизор, интернет връзка, отстраняване на неизправности и т.н.
- За да го отворите, натиснете бутона **HELP** на дистанционното управление и изберете Помощно ръководство.



- Можете да разгледате Помощното ръководство със смартфона си.



https://rd1.sony.net/help/tv/haep1/h_aep/

ВАЖНО – Преди да използвате вашия продукт Sony, прочетете лицензионното споразумение за софтуер с крайния потребител. Използването на вашия продукт означава, че приемате лицензионното споразумение за софтуер с крайния потребител. Лицензионното споразумение за софтуер между вас и Sony е достъпно онлайн на уебсайта на Sony (<http://www.sony.net/tv-software-licenses/>) или на екрана на вашия продукт. Отидете на [Настройки] → [Предпочитания за устройството] → [Информация] → [Правна информация] → [Уведомления и лицензи].

Забележка

- Преди да започнете работа с телевизора, моля, прочетете "Информация за безопасност".
- Прочетете дадената документация за безопасност за допълнителни сведения за безопасността.
- Изображенията и илюстрациите, използвани в Ръководството за настройка и в това ръководство, са само за справка и може да се различават от действителния продукт.
- Знакът "xx", който се появява в името на модела, съответства на номер, свързан с дизайна, цвета или системата на телевизора.

Място на идентификационния етикет

Етикетите за номер на модела, дата на производство (година/месец) и клас на захранване, са разположени на гърба на телевизора или опаковката. Те могат да се намерят чрез махане на капака на клемите.

ВАЖНА ЗАБЕЛЕЖКА

Забележка за радио оборудване

С настоящото Sony Corporation декларира, че типове радиооборудване KD-85ZH8, KD-75ZH8 съответстват на Директива 2014/53/ЕС. Цялостният текст на ЕС декларацията за съответствие може да се намери на следния интернет адрес: <http://www.compliance.sony.eu/>

Забележка за потребители: следната информация се отнася само за оборудване, продавано в страни, където се прилагат директивите на ЕС.

За това радио оборудване важат следните ограничения за въвеждане в експлоатация или за разрешение за употреба в AT, BE, HR, CY, CZ, DK, EE, FI, FR, DE, EL, HU, IE, IT, LV, LT, LU, MT, NL, PL, PT, SK, SI, ES, SE, UK, IS, LI, NO, CH, BG, RO, TR, AL, BA, MK, MD, RS, ME, Косово :

5 150 - 5 350 MHz честота е ограничена само за работа на закрито.

Информация за безопасност

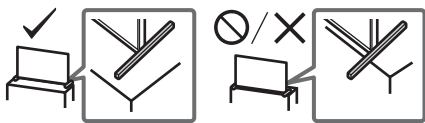
Инсталация/Настройка

Инсталирайте и използвайте телевизора в съответствие с инструкциите, описани по-долу, за да избегнете риск от пожар, токов удар или повреда и/или наранявания.

Инсталация

- Телевизорът трябва да бъде инсталиран близо до лесно достъпен контакт.
- Поставете телевизора на стабилна, равна повърхност, за да избегнете падането му, което може да причини нараняване на човек или повреда на имущество.
- Монтирайте телевизора на място, където не може да бъде дръпнат, бутнат или преобърнат.

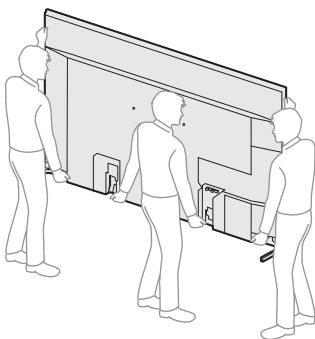
- Поставете телевизора така, че стойката за маса на ТВ да не е стърчи от масата, на която е поставен телевизорът (не се доставя). Ако стойката за маса е издадена навън спрямо масата, на която е поставен телевизора, това може да доведе до преобръщане или падане на телевизора и да доведе до нараняване на човек или повреда на телевизора.



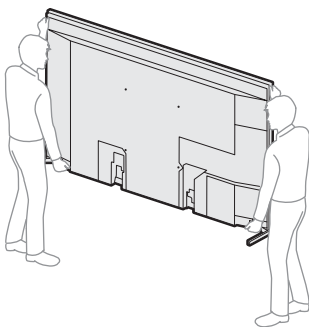
Пренасяне

- Преди да местите телевизора, изключете всички кабели от него.
- Пренасянето на голям телевизор изисква двама или повече души (трима или повече души за KD-85ZH8).
- Когато местите телевизора на ръце, дръжте го, както е показано по-долу. Не натискайте LCD панела и рамката около екрана.

KD-85ZH8

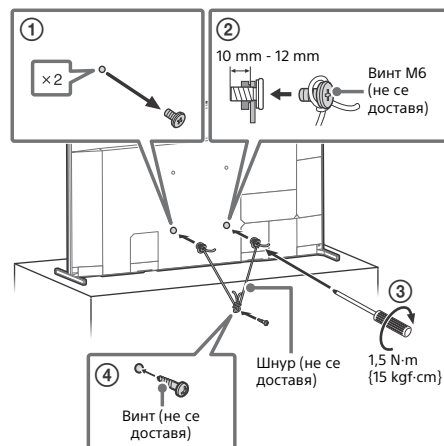


KD-75ZH8

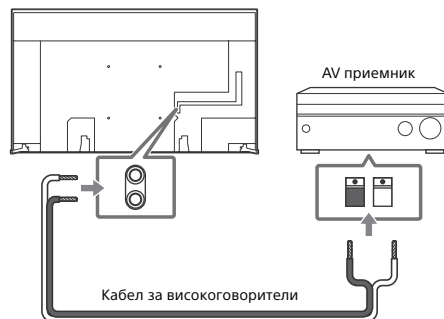


- При пренасяне не излагайте телевизора на сътресения или прекалени вибрации.
- Когато пренасяте телевизора при ремонт или при смяна на жилището, пакетирайте го, като използвате оригиналната опаковка и материали за пакетирание.

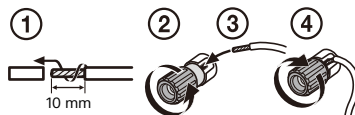
Предотвратяване на падане



Употреба на телевизора като централен говорител



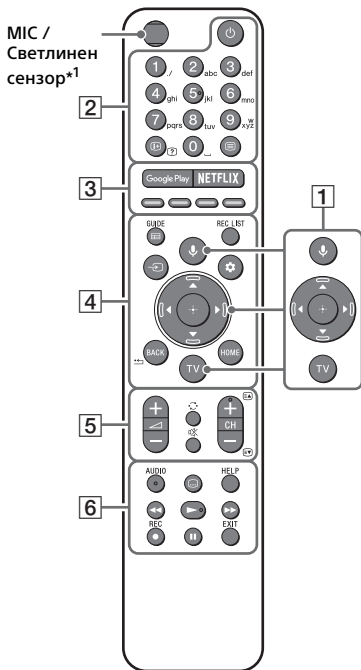
- Преди да свържете кабелите, изключете захранващите кабели на телевизора и на AV приемника.
- Уверете се, че [Говорител] е зададено на [Аудио система].



За да предотвратите появата на шум, когато не свързвате CENTER SPEAKER IN към AV приемник, изключете [Режим на ТВ централен говорител]. За подробности вижте Помощно ръководство.

Дистанционно управление и телевизор

Разположението, формата, наличността и функциите на бутоните на дистанционното управление могат да се различават в зависимост от региона/държавата/модела на телевизора.



- 1** **🔊 (Микрофон):** Използвайте Google Асистент*^{2,3} или гласово търсене*³. За съвети как да контролирате телевизора си, натиснете бутона **🔊 (Микрофон)** и произнесете фразата "гласови съвети".*²
▲/▼/◀/▶/⊕: Навигация в екранното меню и избор.

TV: Показва списъка с телевизионни канали или превключва към вход.

- 2** **🔦 (ТВ готовност)**

Бутони с цифри

ℹ️/? (Инфо/Показване на текст): Показва информация.

☰ (Текст): Показва текстова информация.

- 3** **Google Play / NETFLIX*² / Цветни бутони**

- 4** **GUIDE/☰:** Показва справочника на цифровите програми на телевизора или кабелния/сателитен декодер*^{2,4}.

REC LIST: Показва списък със записани предавания от USB HDD/DVR*⁴.

➔ (Избор на вход): Показва и избира входния източник и пр.

⚙️ (Бързи настройки): Показва Бързи настройки.

BACK/⬅️

HOME

- 5** **⏪ +/- (Сила на звука)**

⏮️ (Прескачане)

🔇 (Заглушаване)*⁵

CH +/-/⏪/⏩: Избира канала или следваща (⏪) / предишна (⏩) страница.

- 6** **AUDIO:** Изберете съответния звук от многоезичния източник или двойния звук (зависи от източника на програмата).

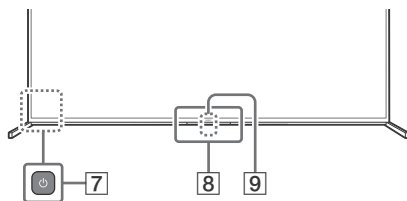
⋮ (Настройка на субтитрите)

HELP: Показва помощно меню.

⏮️/▶️/▶️/⏸️

● REC: Записва гледаната в момента програма на USB HDD/DVR*⁴.

EXIT

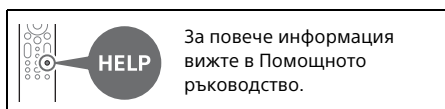


- 7** **🔦 (Захранване)**

- 8** **Сензор за дистанционното управление / Светлинен сензор / LED*⁶**

- 9** **Вграден микрофон*^{2,3,7}:** За да активирате вградения микрофон, натиснете бутона **🔊 (Микрофон)** на дистанционното управление и следвайте инструкциите на екрана.

- *1 Подсветката на дистанционно управление ще се включи, когато светлинният сензор установи, че околната светлина е слаба. Автоматичното включване на подсветката може да бъде изключено.
- *2 Само за определени региони/страни/модели телевизори/езици.
- *3 Google Асистент или гласово търсене изисква интернет връзка.
- *4 Необходима е настройката [Настройка на кабелния/сателитния декодер].
- *5 Прекият път за достъп е достъпен чрез натискане и задържане на \times (Заглушаване).
- *6 Включително и LED светлината на вградения микрофон.
- *7 Консумацията на енергия в режим готовност ще се увеличи, понеже вграденият микрофон постоянно приема, когато е активиран.



Монтаж на телевизора на стена

Използване на опционалната Конзола за закрепване към стена (SU-WL450)* (не се доставя)

До потребителите:

От съображения за безопасност и за защита на продукта, Sony препоръчва монтажът на вашия телевизор да бъде извършен от дистрибутор на Sony или от лицензиран подизпълнител. Не се опитвайте да го монтирате сами.

До търговците и доставчиците на Sony:

Подходите с подчертано внимание към безопасността по време на монтажа, периодичната поддръжка и проверката на този продукт.

Информация за монтаж на Конзола за закрепване към стена

В това ръководство за употреба е показана само подготовката на телевизора за монтаж на стена, преди той да бъде монтиран на стената. За инструкции относно монтирането на Конзолата за закрепване към стена вижте Информация за монтаж (Конзола за закрепване към стена) на страницата за вашия модел телевизор.

<https://www.sony.eu/support>

Подготовка за монтиране на стена

Уверете се, че се прикрепилите поставката за маса, преди да монтирате телевизора към стена, като следвате ръководството за инсталация.

- Подгответе телевизора за Конзолата за закрепване към стена, преди да свържете кабелите.
- Следвайте инструкциите, предоставени с Конзолата за закрепване към стена за вашия модел. За монтажа на този телевизор се изисква значителен опит, особено за определяне на здравината на стената, която трябва да издържи тежестта на телевизора.
- На всяка цена поверете закрепването на този продукт към стена на дистрибутори на Sony или лицензирани подизпълнители и по време на монтажа обърнете особено внимание на мерките за безопасност. Sony не носи отговорност за повреди или наранявания, причинени от неправилни манипулации или монтаж.
- Винтовете за Конзолата за закрепване към стена не са предоставени.
- Монтажът на устройството към стената трябва да се извърши само от квалифициран персонал.
- За по-голяма безопасност ви препоръчваме да използвате оригиналните аксесоари на Sony, включително:
 - Конзола за закрепване към стена SU-WL450
- На всяка цена използвайте винтовете приложени към Конзолата за закрепване към стена, когато закачате Конзолата за закрепване към стена към телевизора. Приложените винтове са проектирани както е показано на илюстрацията, измерването е направено спрямо закачващата повърхност на Конзолата за закрепване към стена.
- Диаметърът и дължината на винтовете се различават в зависимост от модела на Конзолата за закрепване към стена. Използването на винтове, различни от тези в комплекта на конзолата, може да доведе до вътрешни повреди на телевизора или да стане причина за падането му и т.н.

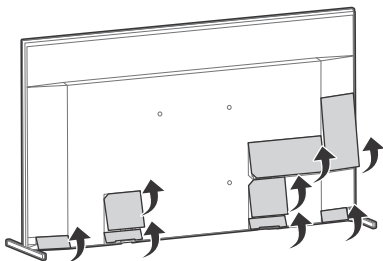


- Запазете оригиналните винтове и поставката за маса на сигурно място, в случай, че желаете отново да закачите поставката за маса. Дръжте винтовете на страни от малки деца.

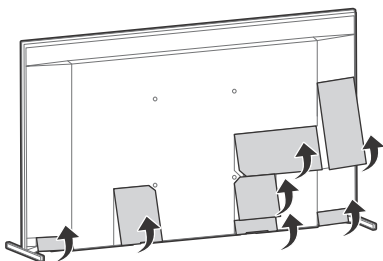
* Само за определени региони/страни/модели телевизори.

1 Премахнете капаците на терминалите.

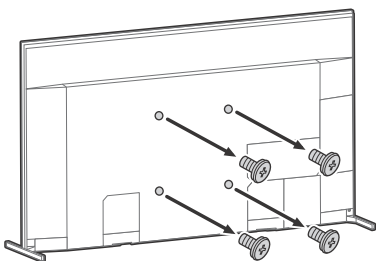
KD-85ZH8



KD-75ZH8



2 Свалете винтовете от задната страна на телевизора.



Отстраняване на неизправности

За отстраняване на общи неизправности като: черен екран, липса на звук, замръзнала картина, блокиране на телевизор или загуба на мрежа, изпълнете следните стъпки.

1 Рестартирайте вашия телевизор чрез натискане на бутона за захранване на дистанционното управление за около пет секунди. Телевизорът ще се рестартира. Ако телевизорът не работи, опитайте да извадите захранващия кабел. След това натиснете бутона за включване на телевизора и го пуснете. Изчакайте две минути и включете захранващия кабел.

2 Вижте Помощното ръководство чрез натискане на **HELP** на дистанционното управление.

3 Свържете своя телевизор с интернет и направете актуализация на софтуера. Sony препоръчва да поддържате софтуера на телевизора си актуален. Актуализациите на софтуера предоставят нови функции и подобрения на производителността.

4 Посетете уебсайта за поддръжка на Sony (информацията е предоставена в края на това ръководство).

Когато включите захранващия кабел на телевизора, той може да не се включи веднага, дори ако натиснете бутона за включване на дистанционното управление или телевизора.


Инициализирането на системата отнема време. Изчакайте за около една минута и опитайте отново.

Дистанционното управление не работи.

- Сменете батериите.

Забравена парола за родителско заключване.

- Въведете 9999 за ПИН кода и въведете новия ПИН код.



За повече информация относно отстраняване на проблеми, вижте Помощното ръководство.

Спецификации

Система

Система на панела: LCD (течнокристален дисплей) панел, LED подсветка

ТВ система: В зависимост от вашата държава/избор на зона/модел на телевизора

Аналогов: В/G, D/K, I

Цифров: DVB-T/DVB-C/DVB-T2*1

Сателит*1: DVB-S/DVB-S2

Цветова система: PAL/SECAM/NTSC3.58 (само видео)/NTSC4.43 (само видео)

Покриване на каналите: В зависимост от вашата държава/избор на зона/модел на телевизора

Аналогов: UHF/VHF/кабел

Цифров: UHF/VHF/кабел

Сателит*1: IF честота 950-2 150 MHz

Звуков изход: 12,5 W + 12,5 W + 12,5 W + 12,5 W + 5 W + 5 W

Безжична технология

IEEE 802.11a/b/g/n/ac протокол

Bluetooth® версия 4.2

Честотна(и) лента(и)

Честотен обхват	Изходяща мощност
Безжичен LAN (Телевизор)	
2 400-2 483,5 MHz	< 20,0 dBm
5 150-5 250 MHz	< 23,0 dBm
5 250-5 350 MHz	< 20,0 dBm
5 470-5 725 MHz	< 20,0 dBm
5 725-5 850 MHz	< 13,9 dBm
Bluetooth® (Телевизор)	
2 400-2 483,5 MHz	< 10,0 dBm
Bluetooth® (Дистанционно управление)	
2 400-2 483,5 MHz	< 10,0 dBm

Входно/изходни жакове

Антенa/кабел

75 ома външен терминал за VHF/UHF

Сателитна антена*1

Конектор тип F, женски, 75 ома.

DiSEqC 1.0, LNB 13 V/18 V & 22 kHz тон,

Разпределяне по 1 кабел EN50494.

 /  AV IN

Видео/аудио вход (мини жак)

HDMI IN 1/2/3/4 (Съвместим с HDCP 2.3)

Видео:

4096 × 2160p (50, 60 Hz)*2*3, 4096 × 2160p (24 Hz)*2, 3840 × 2160p (50, 60 Hz)*3, 3840 × 2160p (24, 25, 30 Hz), 1080p (30, 50, 60, 100, 120 Hz), 1080i (50, 60 Hz), 720p (30, 50, 60 Hz), 720i/24p, 576p, 480p, PC формати*4
7680 × 4320p (24, 25, 30, 50, 60 Hz)*4*5, 3840 × 2160p (100, 120 Hz)*4*5

Аудио:

В режим eARC (Enhanced Audio Return Channel)

За повече информация вижте Помощното ръководство.

С изключение на режим eARC

5,1 канален линейен PCM: 32/44,1/48/88,2/96/176,4/192 kHz 16/20/24 бита, Dolby Audio, Dolby Atmos, DTS

eARC/ARC (Enhanced Audio Return Channel/Audio Return Channel) (само HDMI IN 3)*6

В режим eARC


За повече информация вижте Помощното ръководство.

В режим ARC

Двуканален линейен PCM: 48 kHz 16 бита, Dolby Audio, Dolby Atmos, DTS

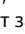
 DIGITAL AUDIO OUT (OPTICAL)

Цифров оптичен жак (Двуканален линейен PCM: 48 kHz 16 бита, Dolby Audio, DTS)

 (Стерео мини жак)

Слушалки

 *1,  *2,  *3 (HDD REC)*7

порт за USB устройство ( 3 USB HDD устройство за функция REC)

USB порт 1 и 2 поддържат High Speed USB (USB 2.0)

USB порт 3 поддържа Super Speed USB (USB 3.1 Gen 1)



CAM (модул за условен достъп) гнездо

 LAN

10BASE-T/100BASE-TX конектор (в зависимост от условията на работа на мрежата, скоростта на пренос на данните може да се различава. Капацитетът и качеството на комуникацията не са гарантирани.)

CENTER SPEAKER IN

Вход за централен говорител (банан гнездо)

BG

Захранване, фиш на продукта и други

Изисквания за захранването
220 V – 240 V AC, 50 Hz

Енергиен клас

KD-85ZH8: C

KD-75ZH8: C

Размер на екрана (измерен по диагонала)
(прибл.)

KD-85ZH8: 214,8 cm / 85 инча

KD-75ZH8: 189,3 cm / 75 инча

Консумация на енергия

B [Стандартен] режим

KD-85ZH8: 487 W

KD-75ZH8: 361 W

B [Ярък] режим

KD-85ZH8: 815 W

KD-75ZH8: 590 W

Годишна консумация на енергия*8

KD-85ZH8: 675 kWh годишно

KD-75ZH8: 501 kWh годишно

Консумация на енергия в режим

Готовност*9*10

KD-85ZH8: 0,50 W (63 W в режим на

актуализация на софтуер/EPG)

KD-75ZH8: 0,50 W (52 W в режим на

актуализация на софтуер/EPG)

Резолюция на дисплея

7 680 точки (по хоризонтала) × 4 320 реда

(по вертикала)

Изходни номинални данни

USB 1/2

5 V, \equiv , 500 mA (макс.)

USB 3

5 V, \equiv , 900 mA (макс.)

Размери (прибл.) (ш × в × д) (cm)

с поставка за маса

Стандартно положение:

KD-85ZH8: 192,0 × 111,7 × 42,8

KD-75ZH8: 169,6 × 98,6 × 35,6

Вътрешно разположени:

KD-85ZH8: 190,4 × 112,0 × 42,8

KD-75ZH8: 168,0 × 98,9 × 35,6

без поставка за маса

KD-85ZH8: 190,4 × 110,9 × 8,4

KD-75ZH8: 168,0 × 97,7 × 8,4

Ширина на стойката (прибл.) (cm)

Стандартно положение:

KD-85ZH8: 192,0

KD-75ZH8: 169,6

Вътрешно разположени:

KD-85ZH8: 86,5

KD-75ZH8: 62,3

Тегло (прибл.) (kg)

с поставка за маса

Стандартно положение:

KD-85ZH8: 67,8

KD-75ZH8: 49,9

Вътрешно разположени:

KD-85ZH8: 67,3

KD-75ZH8: 49,4

без поставка за маса

KD-85ZH8: 65,6

KD-75ZH8: 47,9

Други

Допълнителни аксесоари

Конзола за закрепване към стена:

SU-WL450

Работна температура: 0 °C – 40 °C

Работна влажност: Относителна влажност

10 % – 80 % (без образуване на конденз)

*1 Не всички телевизори имат DVB-T2 или DVB-S/S2 технология или конектор за сателитна антена.

*2 Когато се подава 4096 × 2160p и [Широкоекранен режим] е настроен на [Нормален], резолюцията се показва като 3840 × 2160p. За показване на 4096 × 2160p сложете настройката [Широкоекранен режим] на [Пълен 1] или [Пълен 2].

*3 За поддържане на 18 Gbps настройте [Формат на HDMI сигнала.] на Подобрен формат.

*4 За повече информация вижте онлайн Помощното ръководство.

*5 Само HDMI IN 4.

*6 Свържете аудио системата си към HDMI IN 3, за да насочите телевизионния аудио сигнал към вашата аудио система.

*7 Само за определени региони/страни/модели телевизори.

*8 Годишната консумация на енергия в kWh е базирана на консумацията на телевизор, който работи 4 часа на ден, 365 дни. Действителната консумация на енергия зависи от това как се използва телевизора.

*9 Указаната консумация на енергия в режим Готовност се достига след като телевизорът приключи необходимите вътрешни процеси.

*10 Консумацията на енергия в режим готовност ще се увеличи, когато вашият телевизор е свързан към мрежа.

Забележка

• Наличието на допълнителни аксесоари зависи от държавата/региона/модела на телевизора и наличността.

• Дизайнът и спецификациите подлежат на промяна без предупреждение.

- Може да се изискват абонаменти за услуги и приложения и могат да се прилагат допълнителни срокове, условия и/или такси при използване на Google Асистент.

Забележка за цифровата функция на телевизора

- Цифрова телевизия (DVB наземно, сателитно и кабелно), интерактивни услуги и мрежови функции може да не са достъпни във всички страни или райони. Някои функции може да не са активирани или може да не работят правилно с някои доставчици и мрежови среди. Някои доставчици на телевизионни услуги може да начисляват такса за услугите си.
- Този телевизор поддържа цифрово предаване, използвайки MPEG-2, H.264 / MPEG-4 AVC и H.265 / HEVC кодеци, но не може да бъде гарантирана съвместимостта с всички сигнали на оператори/услуги, които може да се променят с течение на времето.

Информация за търговски марки

- Термините HDMI и Интерфейс за мултимедия с висока разделителна способност HDMI (HDMI - High-Definition Multimedia Interface), както и логото HDMI са запазени марки на HDMI Licensing Administrator, Inc. в Съединените щати и други държави.
- Dolby, Dolby Vision, Dolby Atmos, Dolby Audio, и символът двойно "D" са търговски марки на Dolby Laboratories. Произведено по лиценз на Dolby Laboratories. Конфиденциални непубликувани трудове. Авторско право © 2012-2018 Dolby Laboratories. Всички права запазени.
- Gracenote, логото и логотипът Gracenote, както и логото "Powered by Gracenote" са регистрирани търговски марки или търговски марки на Gracenote, Inc. в САЩ и/или други държави.
- Google, Google Play, Chromecast, YouTube, Android TV и други свързани марки и логота са запазени марки на Google LLC.
- За DTS патенти, вижте <http://patents.dts.com>. Произведено по лиценз на DTS, Inc. DTS, символът, DTS и символът заедно и Digital Surround са регистрирани търговски марки или търговски марки на DTS, Inc., в САЩ и/или други страни. © DTS, Inc. Всички права запазени.
- Netflix е регистрирана търговска марка на Netflix, Inc.

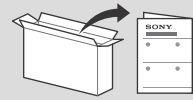
- DiSEqC™ е търговска марка на EUTELSAT. Този телевизор поддържа DiSEqC 1.0. Този телевизор не е предназначен за управление на антени с мотор.
- TUXERA е регистрирана търговска марка на Tuxera Inc. в САЩ и други страни.
- Всички други търговски марки са притежание на съответните им собственици.

Σχετικά με τα εγχειρίδια οδηγιών

Η τηλεόραση αυτή παρέχεται μαζί με τα παρακάτω εγχειρίδια οδηγιών. Παρακαλούμε φυλάξτε τα εγχειρίδια οδηγιών για μελλοντική χρήση.

Οδηγός εγκατάστασης

- Εγκατάσταση και ρυθμίσεις τηλεόρασης.



Οδηγός αναφοράς (το παρόν εγχειρίδιο) / Έγγραφο τεκμηρίωση σχετικά με την ασφάλεια

- Πληροφορίες σχετικά με την ασφάλεια, τηλεχειριστήριο, αντιμετώπιση προβλημάτων, επιτοίχια εγκατάσταση, τεχνικά χαρακτηριστικά κ.λπ.



Οδηγός βοήθειας (Εγχειρίδιο στην οθόνη)

- Ρυθμίσεις, λειτουργίες τηλεόρασης Android, σύνδεση Internet, αντιμετώπιση προβλημάτων κ.λπ.
- Για να τον ανοίξετε, πιάστε το κουμπί **HELP** στο τηλεχειριστήριο και επιλέξτε Οδηγός βοήθειας.



- Μπορείτε να δείτε τον Οδηγό βοήθειας με το smartphone σας.



https://rd1.sony.net/help/tv/haep1/h_aep/

ΣΗΜΑΝΤΙΚΟ – Διαβάστε τη Συμφωνία άδειας χρήσης λογισμικού τελικού χρήστη προτού χρησιμοποιήσετε το προϊόν Sony. Η χρήση του προϊόντος υποδηλώνει την αποδοχή της Συμφωνίας άδειας χρήσης λογισμικού τελικού χρήστη. Η συμφωνία άδειας χρήσης λογισμικού ανάμεσα σε εσάς και τη Sony διατίθεται ηλεκτρονικά στην τοποθεσία web της Sony (<http://www.sony.net/tv-software-licenses/>) ή στην οθόνη του προϊόντος. Μεταβείτε στο στοιχείο [Ρυθμίσεις] → [Προτιμήσεις συσκευής] → [Πληροφορίες] → [Νομικές πληροφορίες] → [Σημειώσεις και άδειες χρήσης].

Σημείωση

- Προτού θέσετε σε λειτουργία την τηλεόραση, διαβάστε την ενότητα "Πληροφορίες σχετικά με την ασφάλεια".
- Για περισσότερες πληροφορίες σχετικά με την ασφάλεια, ανατρέξτε στην ενότητα "Έγγραφο τεκμηρίωση σχετικά με την ασφάλεια".
- Οι εικόνες και τα γραφικά που χρησιμοποιούνται στον Οδηγό εγκατάστασης και σε αυτό το εγχειρίδιο παρέχονται μόνο για λόγους αναφοράς και ενδέχεται να διαφέρουν από το πραγματικό προϊόν.
- Το σύμβολο "xx" που εμφανίζεται στο όνομα του μοντέλου αντιστοιχεί σε ένα αριθμητικό ψηφίο, που σχετίζεται με το σχέδιο, το χρώμα ή το σύστημα τηλεόρασης.

Θέση της αναγνωριστικής ετικέτας

Οι ετικέτες με τον Αριθμό μοντέλου, την Ημερομηνία παραγωγής (έτος/μήνας) και την Ονομαστική τιμή ισχύος βρίσκονται στο πίσω μέρος της τηλεόρασης ή του πακέτου. Μπορείτε να τις βρείτε αφαιρώντας το κάλυμμα ακροδέκτη.

ΣΗΜΑΝΤΙΚΗ ΣΗΜΕΙΩΣΗ

Σημείωση για τον ραδιοεξοπλισμό

Με την παρουσία η Sony Corporation, δηλώνει ότι οι τύποι ραδιοεξοπλισμού KD-85ZH8, KD-75ZH8 πληρούν τους όρους της οδηγίας 2014/53/ΕΕ. Το πλήρες κείμενο της δήλωσης συμμόρφωσης ΕΕ διατίθεται στην ακόλουθη ιστοσελίδα στο διαδίκτυο: <http://www.compliance.sony.eu/>

Σημείωση για τους πελάτες: οι παρακάτω πληροφορίες αφορούν μόνο εξοπλισμό που πωλείται σε χώρες όπου ισχύουν οι οδηγίες της Ε.Ε.

Για τον συγκεκριμένο ραδιοεξοπλισμό, ισχύουν οι παρακάτω περιορισμοί λειτουργίας ή περιορισμοί άδειας χρήσης στις χώρες AT, BE, HR, CY, CZ, DK, EE, FI, FR, DE, EL, HU, IE, IT, LV, LT, LU, MT, NL, PL, PT, SK, SI, ES, SE, UK, IS, LI, NO, CH, BG, RO, TR, AL, BA, MK, MD, RS, ME, Κόσοβο : η ζώνη 5.150 - 5.350 MHz περιορίζεται αποκλειστικά σε χρήση εσωτερικού χώρου.

Πληροφορίες σχετικά με την ασφάλεια

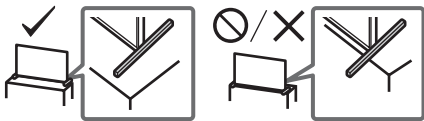
Εγκατάσταση/Ρύθμιση

Προκειμένου να αποφύγετε τυχόν κινδύνους πυρκαϊγιάς, ηλεκτροπληξιάς ή ζημιές ή/και τραυματισμών, εγκαταστήστε και χρησιμοποιήστε την τηλεόραση σύμφωνα με τις παρακάτω οδηγίες.

Εγκατάσταση

- Η τηλεόραση πρέπει να εγκατασταθεί κοντά σε παροχή ρεύματος εύκολα προσβάσιμη.
- Τοποθετήστε τη συσκευή της τηλεόρασης σε μια σταθερή, επίπεδη επιφάνεια, ώστε να αποφευχθεί η πτώση της και η πρόκληση ανθρώπινου τραυματισμού ή ζημιών.
- Εγκαταστήστε την τηλεόραση σε ένα σημείο στο οποίο δεν θα κινδυνεύει να τραβηχτεί, να στρωχθεί ή να ανατραπεί.

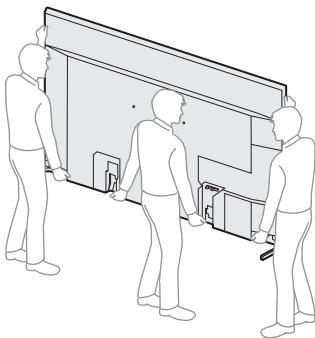
- Εγκαταστήστε την τηλεόραση έτσι ώστε η βάση επιτραπέζιας τοποθέτησης να μην προεξέχει από τη βάση της τηλεόρασης (δεν παρέχεται). Εάν η βάση επιτραπέζιας τοποθέτησης προεξέχει από τη βάση της τηλεόρασης, η τηλεόραση ενδέχεται να αναποδογυρίσει, να πέσει και να προκληθεί ανθρώπινος τραυματισμός ή βλάβη στην τηλεόραση.



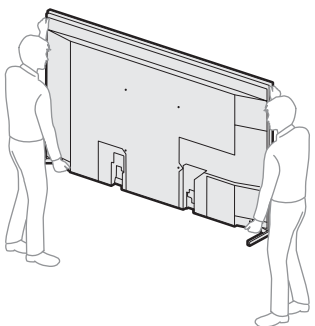
Μεταφορά

- Προτού μεταφέρετε την τηλεόραση, αποσυνδέστε όλα τα καλώδια.
- Για τη μεταφορά μιας μεγάλης τηλεόρασης χρειάζονται δύο ή περισσότερα άτομα (τρία ή περισσότερα άτομα για την KD-85ZH8).
- Όταν μεταφέρετε την τηλεόραση με τα χέρια, να την κρατάτε όπως υποδεικνύεται παρακάτω. Μην ασκείτε πίεση στην οθόνη LCD και στο πλαίσιο που περιβάλλει την οθόνη.

KD-85ZH8

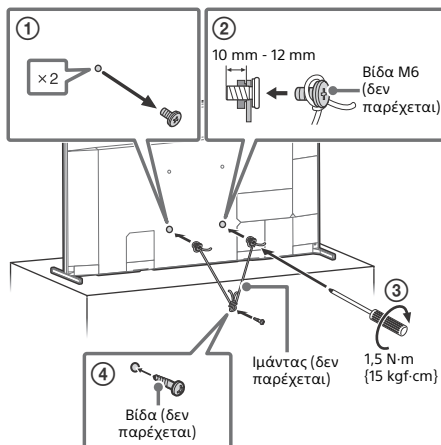


KD-75ZH8

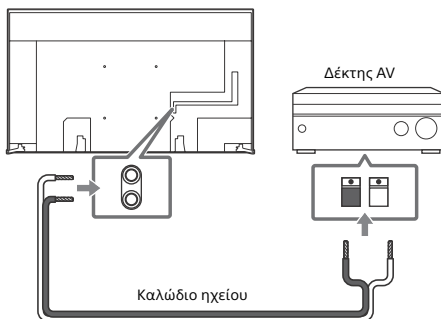


- Κατά τη μεταφορά, μην υποβάλλετε την τηλεόραση σε χτυπήματα ή υπερβολικούς κραδασμούς.
- Όταν μεταφέρετε την τηλεόραση για επισκευή ή όταν την μεταφέρετε σε άλλο χώρο, συσκευάστε την χρησιμοποιώντας το αρχικό χαρτόκουτο και τα υλικά συσκευασίας.

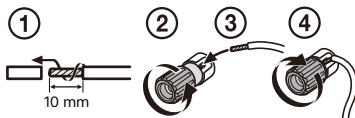
Αποτροπή πτώσης



Χρησιμοποιώντας την τηλεόραση ως Κεντρικό Ηχείο



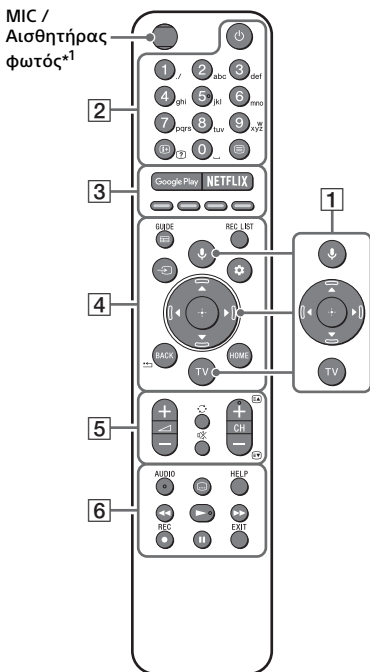
- Πριν συνδέσετε τα καλώδια, αποσυνδέστε το καλώδιο τροφοδοσίας της τηλεόρασης και του δέκτη AV.
- Βεβαιωθείτε ότι το στοιχείο [Ηχεία] έχει οριστεί στην επιλογή [Ηχοσύστημα].



Προς αποφυγή θορύβου όταν το CENTER SPEAKER IN δεν είναι συνδεδεμένο με δέκτη AV, απενεργοποιήστε τη [Λειτουργία κεντρικού ηχείου τηλεόρασης]. Για λεπτομέρειες, ανατρέξτε στον Οδηγό βοήθειας.

Τηλεχειριστήριο και τηλεόραση

Το σχήμα, η θέση, η διαθεσιμότητα και η λειτουργία των κουμπιών του τηλεχειριστηρίου μπορεί να διαφέρουν ανάλογα με την περιοχή/τη χώρα/το μοντέλο της τηλεόρασης.



- 1** **🗣️ (Μικρόφωνο):** Χρησιμοποιήστε τον Βοηθό Google*^{2,3} ή τη φωνητική αναζήτηση*³. Για συμβουλές σχετικά με τον έλεγχο της τηλεόρασής σας, πατήστε το κουμπί **🗣️ (Μικρόφωνο)** και πείτε τη φράση "φωνητικές συμβουλές".*²
▲/▼/◀/▶/⊕: Πλοήγηση και επιλογή μενού στην οθόνη.

TV: Εμφανίστε τη λίστα τηλεοπτικών καναλιών ή μεταβείτε σε είσοδο.

- 2** **📺 (Τηλεόραση σε αναμονή)**

Αριθμητικά κουμπιά

ℹ️/? (Αποκάλυψη πληροφοριών/κειμένου): Εμφανίστε πληροφορίες.

☰ (Κείμενο): Εμφανίστε πληροφορίες κειμένου.

- 3** **Google Play / NETFLIX*² / Χρωματιστά κουμπιά**

- 4** **GUIDE/☰:** Εμφανίστε τον ψηφιακό οδηγό προγράμματος της τηλεόρασης ή του αποκωδικοποιητή τηλεόρασης*^{2,4}.

REC LIST: Εμφανίστε τη λίστα εγγραφής USB HDD/DVR*⁴.

➡️ (Επιλογή εισόδου): Εμφανίστε και επιλέξτε την πηγή εισόδου κ.λπ.

⚙️ (Γρήγορες ρυθμίσεις): Εμφανίστε τις γρήγορες ρυθμίσεις.

BACK/◀️

HOME

- 5** **↔️ +/- (Ενταση)**

🔄 (Μετάβαση)

🔊 (Σίγαση)*⁵

CH +/-/⏪/⏩: Επιλέξτε το κανάλι ή την επόμενη (⏪) / προηγούμενη (⏩) σελίδα.

- 6** **AUDIO:** Επιλέξτε ήχο από πηγή για πολλές γλώσσες ή διπλό ήχο (ανάλογα με την πηγή προγράμματος).

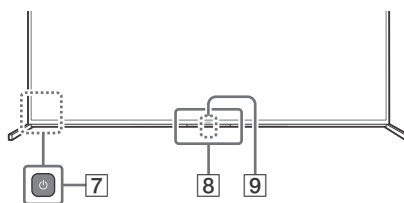
⋮ (Ρύθμιση υποτίτλων)

HELP: Εμφανίστε το Μενού βοήθειας.

⏪/▶️/▶️/⏸️

● REC: Εγγράψτε το τρέχον πρόγραμμα στο USB HDD/DVR*⁴.

EXIT

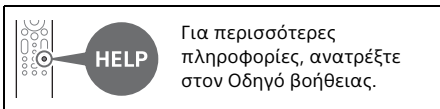


- 7** **📺 (Λειτουργία)**

- 8** **Αισθητήρας Τηλεχειρισμού / Αισθητήρας φωτός / LED*⁶**

- 9** **Ενσωματωμένο μικρόφωνο*^{2,3,7}:** Για να ενεργοποιήσετε το ενσωματωμένο μικρόφωνο, πατήστε το κουμπί **🗣️ (Μικρόφωνο)** στο τηλεχειριστήριο και ακολουθήστε τις οδηγίες που εμφανίζονται στην οθόνη.

- *1 Ο οπίσθιος φωτισμός του τηλεχειριστηρίου θα ανάψει όταν ο αισθητήρας φωτός ανιχνεύσει ότι ο περιβάλλον φωτισμός είναι χαμηλός. Το αυτόματο άναμμα του οπίσθιου φωτισμού μπορεί να απενεργοποιηθεί.
- *2 Μόνο σε περιορισμένες περιοχές/χώρες/μοντέλα τηλεόρασης/γλώσσες.
- *3 Ο Βοηθός Google ή η φωνητική αναζήτηση απαιτεί σύνδεση Internet.
- *4 Απαιτείται η ρύθμιση [Ρύθμιση αποκωδικοποιητή τηλεόρασης].
- *5 Η συντόμευση προσβασιμότητας είναι διαθέσιμη με παρατεταμένο πάτημα του κουμπιού *X (Σίγαση).
- *6 Περιλαμβάνεται επίσης η λυχνία LED ενσωματωμένου μικροφώνου.
- *7 Η καταναλωση ενέργειας σε κατάσταση αναμονής θα αυξηθεί καθώς το ενσωματωμένο μικρόφωνο πάντα ακούει όταν είναι ενεργοποιημένο.



Εγκατάσταση της τηλεόρασης στον τοίχο

Χρήση της προαιρετικής Επιτοίχιας Βάσης (SU-WL450)* (δεν παρέχεται)

Προς τους πελάτες:

Για λόγους προστασίας και ασφάλειας του προϊόντος, η Sony συνιστά ένθερμα η εγκατάσταση της τηλεόρασής σας να πραγματοποιείται από αντιπροσώπους της Sony ή εξουσιοδοτημένους τεχνικούς. Μην επιχειρήσετε να την εγκαταστήσετε μόνοι σας.

Προς τους αντιπροσώπους της Sony και τους τεχνικούς:

Δώστε μεγάλη προσοχή στην ασφάλεια κατά την εγκατάσταση, την περιοδική συντήρηση και τον έλεγχο του προϊόντος αυτού.

Πληροφορίες εγκατάστασης επιτοίχιας βάσης

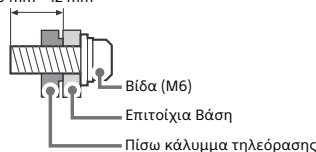
Το εγχειρίδιο οδηγιών αυτής της τηλεόρασης παρουσιάζει μόνο τα βήματα για την προετοιμασία της τηλεόρασης για Επιτοίχια εγκατάσταση πριν από την εγκατάστασή της στον τοίχο. Για οδηγίες σχετικά με την εγκατάσταση της Επιτοίχιας Βάσης, ανατρέξτε στις Πληροφορίες Εγκατάστασης (Επιτοίχια Βάση) στη σελίδα προϊόντος για το μοντέλο της τηλεόρασής σας. <https://www.sony.eu/support>

Προετοιμασία για την επιτοίχια εγκατάσταση

Βεβαιωθείτε ότι έχετε προσαρτήσει τη βάση επιτραπέζιας τοποθέτησης πριν εγκαταστήσετε την τηλεόραση στον τοίχο ανατρέχοντας στον Οδηγό εγκατάστασης.

- Προετοιμάστε την τηλεόραση για την επιτοίχια βάση πριν πραγματοποιήσετε τις συνδέσεις καλωδίων.
- Ακολουθήστε το εγχειρίδιο οδηγιών που παρέχεται με την Επιτοίχια Βάση για το μοντέλο σας. Απαιτείται επαρκής εμπειρία για την εγκατάσταση αυτής της τηλεόρασης και ειδικότερα για να προσδιοριστεί η αντοχή του τοίχου που θα συγκρατεί το βάρος της τηλεόρασης.
- Αναθέστε την τοποθέτηση του προϊόντος αυτού στον τοίχο σε αντιπροσώπους της Sony ή σε εξουσιοδοτημένους τεχνικούς και δείξτε την απαραίτητη προσοχή στα θέματα ασφάλειας κατά την εγκατάσταση. Η Sony δεν αναλαμβάνει καμία ευθύνη για τυχόν ζημιά ή τραυματισμό που ενδέχεται να προκληθεί από λανθασμένους χειρισμούς ή ακατάλληλη εγκατάσταση.
- Οι βίδες για την επιτοίχια βάση δεν παρέχονται.
- Η εγκατάσταση στον τοίχο πρέπει να πραγματοποιείται μόνο από εξειδικευμένο προσωπικό.
- Για λόγους ασφαλείας, συστήνεται η χρήση των εξαρτημάτων της Sony, μεταξύ των οποίων περιλαμβάνονται:
 - Επιτοίχια Βάση SU-WL450
- Βεβαιωθείτε ότι χρησιμοποιείτε τις βίδες που παρέχονται με την Επιτοίχια βάση όταν τοποθετείτε την Επιτοίχια βάση στην τηλεόραση. Οι βίδες που παρέχονται έχουν σχεδιαστεί, έτσι ώστε να έχουν τις διαστάσεις που υποδεικνύονται στην εικόνα, όταν τις μετρήσουμε από την επιφάνεια στερέωσης της Επιτοίχιας βάσης. Η διάμετρος και το μήκος των βιδών διαφέρουν ανάλογα με το μοντέλο της Επιτοίχιας βάσης. Η χρήση διαφορετικών βιδών από αυτές που παρέχονται μπορεί να προκαλέσει εσωτερική ζημιά στην τηλεόραση ή μπορεί να πέσει, κλπ.

10 mm - 12 mm

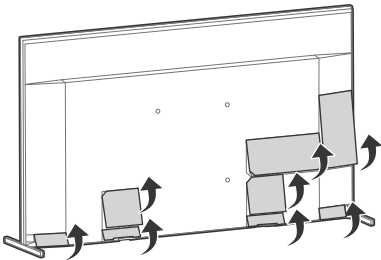


- Φροντίστε να φυλάξετε τις βίδες που δεν χρησιμοποιήσατε και τη βάση επιτραπέζιας τοποθέτησης σε ασφαλές μέρος έως ότου είστε έτοιμοι να συνδέσετε τη βάση επιτραπέζιας τοποθέτησης. Κρατήστε τις βίδες μακριά από μικρά παιδιά.

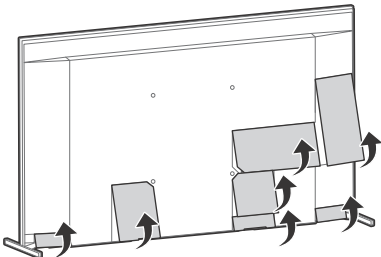
* Μόνο σε περιορισμένες περιοχές/χώρες/μοντέλα τηλεόρασης.

1 Αφαιρέστε τα καλύμματα ακροδεκτών.

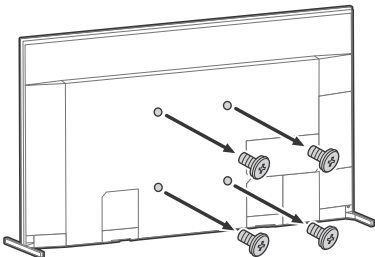
KD-85ZH8



KD-75ZH8



2 Αφαιρέστε τις βίδες από το πίσω μέρος της τηλεόρασης.



Αντιμετώπιση προβλημάτων

Για τη γενική αντιμετώπιση προβλημάτων για θέματα όπως: μούρη οθόνη, δεν υπάρχει ήχος, παγωμένη εικόνα, η τηλεόραση δεν ανταποκρίνεται, ή δεν υπάρχει δίκτυο, ακολουθήστε τα παρακάτω βήματα.

- 1 Επανεκκινήστε την τηλεόρασή σας πιέζοντας το κουμπί λειτουργίας στο τηλεχειριστήριο για περίπου πέντε δευτερόλεπτα. Η τηλεόραση θα κάνει επανεκκίνηση. Αν δεν επανέλθει η τηλεόραση σε κανονική λειτουργία, δοκιμάστε να αποσυνδέσετε το καλώδιο ρεύματος. Στη συνέχεια, πιέστε το κουμπί λειτουργίας στην τηλεόραση και αφήστε το. Περιμένετε για δύο λεπτά, και συνδέστε το καλώδιο τροφοδοσίας.
- 2 Ανατρέξτε στο μενού Βοήθειας πιέζοντας το **HELP** στο τηλεχειριστήριο.
- 3 Συνδέστε την τηλεόρασή σας στο Internet και εκτελέστε αναβάθμιση λογισμικού. Η Sony συνιστά να διατηρείτε το λογισμικό της τηλεόρασής σας ενημερωμένο. Οι ενημερώσεις λογισμικού παρέχουν νέα χαρακτηριστικά και βελτιώσεις στην απόδοση.
- 4 Επισκεφτείτε την τοποθεσία web υποστήριξης της Sony (παρέχονται πληροφορίες στο τέλος του παρόντος εγχειριδίου).

Όταν συνδέσετε την τηλεόραση, η τηλεόραση ενδεχομένως να μην ανοίγει αμέσως, ακόμα κι αν πατήσετε το κουμπί λειτουργίας στο τηλεχειριστήριο ή στην τηλεόραση.


Χρειάζεται κάποιος χρόνος για την προετοιμασία του συστήματος. Περιμένετε ένα λεπτό περίπου και, κατόπιν θέστε τη ξανά σε λειτουργία.

Το τηλεχειριστήριο δεν λειτουργεί.

- Αλλάξτε τις μπαταρίες.

Έχετε ξεχάσει τον κωδικό πρόσβασης γονικού κλειδώματος.

- Πληκτρολογήστε τον αριθμό 9999 ως PIN και πληκτρολογήστε το νέο PIN.



Για περισσότερες πληροφορίες όσον αφορά την αντιμετώπιση προβλημάτων, ανατρέξτε στον Οδηγό βοήθειας.

Τεχνικά χαρακτηριστικά

Σύστημα

Σύστημα οθόνης: Οθόνη LCD (Οθόνη υγρών κρυστάλλων), Οπίσθιος ωπτισμός LED
 Τηλεοπτικό σύστημα μετάδοσης: Ανάλογα με την επιλογή χώρας/περιοχής/μοντέλου τηλεόρασης
 Αναλογικό: B/G, D/K, I
 Ψηφιακό: DVB-T/DVB-C/DVB-T2*1
 Δορυφορικό*1: DVB-S/DVB-S2

Σύστημα χρωμάτων: PAL/SECAM/NTSC3.58 (Μόνο εικόνα)/NTSC4.43 (Μόνο εικόνα)

Κάλυψη καναλιών: Ανάλογα με την επιλογή χώρας/περιοχής/μοντέλου τηλεόρασης
 Αναλογικό: UHF/VHF/Καλωδιακή
 Ψηφιακό: UHF/VHF/Καλωδιακή
 Δορυφορικό*1: Ενδιάμεση συχνότητα (IF) 950-2.150 MHz

Έξοδος Ήχου: 12,5 W + 12,5 W + 12,5 W + 12,5 W + 5 W + 5 W

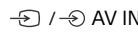
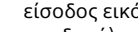
Ασύρματη τεχνολογία
 Πρωτόκολλο IEEE 802.11a/b/g/n/ac
 Bluetooth® έκδοση 4.2

Ζώνη συχνοτήτων

Περιοχή συχνοτήτων	Ισχύς εξόδου
Ασύρματο LAN (Τηλεόραση)	
2.400-2.483,5 MHz	< 20,0 dBm
5.150-5.250 MHz	< 23,0 dBm
5.250-5.350 MHz	< 20,0 dBm
5.470-5.725 MHz	< 20,0 dBm
5.725-5.850 MHz	< 13,9 dBm
Bluetooth® (Τηλεόραση)	
2.400-2.483,5 MHz	< 10,0 dBm
Bluetooth® (Τηλεχειριστήριο)	
2.400-2.483,5 MHz	< 10,0 dBm

Υποδοχές εισόδου/εξόδου

Κεραία/καλωδιακή
 Εξωτερικός ακροδέκτης 75 ohm για VHF/UHF
 Δορυφορική κεραία*1
 Θηλυκό βύσμα τύπου F, 75 ohm.
 DiSEqC 1.0, LNB 13 V/18 V & τόνος 22 kHz,
 Διανομή μέσων ενός καλωδίου EN50494.

 /  AV IN
 είσοδος εικόνας/είσοδος ήχου (μίνι υποδοχή)

HDMI IN 1/2/3/4 (συμβατό με HDCP 2.3)

Βίντεο:

4096 × 2160p (50, 60 Hz)*2*3, 4096 × 2160p (24 Hz)*2, 3840 × 2160p (50, 60 Hz)*3, 3840 × 2160p (24, 25, 30 Hz), 1080p (30, 50, 60, 100, 120 Hz), 1080/24p, 1080i (50, 60 Hz), 720p (30, 50, 60 Hz), 720/24p, 576p, 480p, PC Μορφές υπολογιστή*4
 7680 × 4320p (24, 25, 30, 50, 60 Hz)*4*5, 3840 × 2160p (100, 120 Hz)*4*5

Ήχος:

Στη λειτουργία eARC (Enhanced Audio Return Channel)

Ανατρέξτε στον Οδηγό βοήθειας για λεπτομέρειες.

Εξαιρείται η λειτουργία eARC

Γραμμικό PCM 5,1 καναλιών: 32/44,1/48/88,2/96/176,4/192 kHz 16/20/24 bit, Dolby Audio, Dolby Atmos, DTS

eARC/ARC (Enhanced Audio Return Channel/Audio Return Channel) (μόνο για HDMI IN 3)*6

Στη λειτουργία eARC

Ανατρέξτε στον Οδηγό βοήθειας για λεπτομέρειες.

Στη λειτουργία ARC

Γραμμικό PCM δύο καναλιών: 48 kHz 16 bit, Dolby Audio, Dolby Atmos, DTS


 DIGITAL AUDIO OUT (OPTICAL)

Οπτική ψηφιακή υποδοχή (Γραμμικό PCM δύο καναλιών: 48 kHz 16 bit, Dolby Audio, DTS)

 (Μίνι στερεοφωνική υποδοχή)

Ακουστικά

 1,  2,  3 (HDD REC)*7

Θύρα συσκευής USB ( 3 για συσκευή USB HDD για τη λειτουργία ΕΓΓΡΑΦΗΣ)

Οι θύρες USB 1 και 2 υποστηρίζουν High Speed USB (USB 2.0)

Η θύρα USB 3 υποστηρίζει Super Speed USB (USB 3.1 Gen 1)



Υποδοχή CAM (Μονάδα Περιορισμένης Πρόσβασης)

LAN

Σύνδεσμος 10BASE-T/100BASE-TX (Η ταχύτητα σύνδεσης ενδέχεται να διαφέρει, ανάλογα με το περιβάλλον λειτουργίας του δικτύου. Η ταχύτητα και η ποιότητα επικοινωνίας δεν είναι εγγυημένες.)

CENTER SPEAKER IN

Είσοδος κεντρικού ηχείου (Ακροδέκτης)

Ισχύς, Δελτίο Προϊόντος και άλλα

Απαιτήσεις τροφοδοσίας

220 V - 240 V AC, 50 Hz

Κλάση ενεργειακής απόδοσης

KD-85ZH8: C

KD-75ZH8: C

Μέγεθος οθόνης (διαγωνίως) (Περίπου)

KD-85ZH8: 214,8 cm / 85 ίντσες

KD-75ZH8: 189,3 cm / 75 ίντσες

Κατανάλωση ισχύος

Στη λειτουργία [Κανονικό]

KD-85ZH8: 487 W

KD-75ZH8: 361 W

Στη λειτουργία [Ζωηρή]

KD-85ZH8: 815 W

KD-75ZH8: 590 W

Ετήσια κατανάλωση ενέργειας*⁸

KD-85ZH8: 675 kWh ανά έτος

KD-75ZH8: 501 kWh ανά έτος

Κατανάλωση ενέργειας σε κατάσταση αναμονής*^{9,10}

KD-85ZH8: 0,50 W (63 W στη λειτουργία ενημέρωσης λογισμικού/EPG)

KD-75ZH8: 0,50 W (52 W στη λειτουργία ενημέρωσης λογισμικού/EPG)

Ανάλυση οθόνης

7.680 Dots (οριζόντια) × 4.320 γραμμές (κατακόρυφη)

Ονομαστική έξοδος

USB 1/2

5 V \equiv , 500 mA, μέγιστη

USB 3

5 V \equiv , 900 mA, μέγιστη

Διαστάσεις (Περίπου) (π × υ × β) (cm)

με βάση επιτραπέζιας τοποθέτησης

Τυπική θέση:

KD-85ZH8: 192,0 × 111,7 × 42,8

KD-75ZH8: 169,6 × 98,6 × 35,6

Περιορισμένη θέση:

KD-85ZH8: 190,4 × 112,0 × 42,8

KD-75ZH8: 168,0 × 98,9 × 35,6

χωρίς βάση επιτραπέζιας τοποθέτησης

KD-85ZH8: 190,4 × 110,9 × 8,4

KD-75ZH8: 168,0 × 97,7 × 8,4

Πλάτος βάσης (Περίπου) (cm)

Τυπική θέση:

KD-85ZH8: 192,0

KD-75ZH8: 169,6

Περιορισμένη θέση:

KD-85ZH8: 86,5

KD-75ZH8: 62,3

Βάρος (Περίπου) (kg)

με βάση επιτραπέζιας τοποθέτησης

Τυπική θέση:

KD-85ZH8: 67,8

KD-75ZH8: 49,9

Περιορισμένη θέση:

KD-85ZH8: 67,3

KD-75ZH8: 49,4

χωρίς βάση επιτραπέζιας τοποθέτησης

KD-85ZH8: 65,6

KD-75ZH8: 47,9

Άλλα

Προαιρετικά εξαρτήματα

Επιτοίχια Βάση: SU-WL450

Θερμοκρασία λειτουργίας: 0 °C – 40 °C

Υγρασία λειτουργίας: 10 % – 80 % σχετική υγρασία (χωρίς συμπύκνωση)

*1 Δεν διαθέτουν όλες οι τηλεοράσεις τεχνολογία DVB-T2 ή DVB-S/S2 ή ακροδέκτη δορυφορικής κεραίας.

*2 Όταν η είσοδος είναι 4096 × 2160p και η επιλογή [Λειτουργία ευρείας οθόνης] έχει οριστεί σε [Κανονικό], η ανάλυση προβάλλεται ως 3840 × 2160p. Για να προβληθεί ως 4096 × 2160p, ορίστε τη ρύθμιση [Λειτουργία ευρείας οθόνης] σε [Πλήρες 1] ή [Πλήρες 2].

*3 Για την υποστήριξη 18 Gbps, ορίστε τη ρύθμιση [Μορφή σήματος HDMI] σε Βελτιωμένη μορφή.

*4 Ανατρέξτε στον ηλεκτρονικό Οδηγό βοήθειας για λεπτομέρειες.

*5 Μόνο για HDMI IN 4.

*6 Συνδέστε το ηχοσύστημά σας στο HDMI IN 3 για να δρομολογήσετε τον ήχο της τηλεόρασης στο ηχοσύστημά σας.

*7 Μόνο σε περιορισμένες περιοχές/χώρες/μοντέλα τηλεόρασης.

*8 Κατανάλωση ενέργειας σε kWh ανά έτος, με βάση την κατανάλωση ισχύος της τηλεόρασης σε ημερήσια 4 ωρη λειτουργία επί 365 ημέρες. Η πραγματική κατανάλωση ενέργειας εξαρτάται από τον τρόπο χρήσης της τηλεόρασης.

*9 Η συγκεκριμένη κατανάλωση ενέργειας σε αναμονή επιτυγχάνεται αφού η τηλεόραση ολοκληρώσει τις απαραίτητες εσωτερικές διαδικασίες.

*10 Η κατανάλωση ενέργειας σε κατάσταση αναμονής αυξάνεται, όταν η τηλεόραση είναι συνδεδεμένη στο δίκτυο.

Σημείωση

- Η διαθεσιμότητα των προαιρετικών εξαρτημάτων εξαρτάται από τη χώρα/την περιοχή/το μοντέλο της τηλεόρασης/το απόθεμα.
- Ο σχεδιασμός και τα τεχνικά χαρακτηριστικά υπόκεινται σε αλλαγή χωρίς προειδοποίηση.
- Ενδέχεται να απαιτούνται εγγραφές για υπηρεσίες και εφαρμογές, και ενδέχεται να ισχύουν πρόσθετοι όροι, προϋποθέσεις και/ή χρεώσεις κατά τη χρήση του Βοηθού Google.

Σημειώσεις για τη λειτουργία Ψηφιακής τηλεόρασης

- Η ψηφιακή τηλεόραση (επίγεια, δορυφορική και καλωδιακή τηλεόραση DVB), οι αλληλεπιδραστικές υπηρεσίες και οι λειτουργίες δικτύου ενδέχεται να μην είναι διαθέσιμες σε όλες τις χώρες ή περιοχές. Ορισμένες λειτουργίες ενδέχεται να μην είναι ενεργοποιημένες ή να μη λειτουργούν σωστά με ορισμένους παροχείς και περιβάλλοντα δικτύου. Ορισμένοι παροχείς υπηρεσιών τηλεόρασης ενδέχεται να χρεώνουν πρόσθετη αμοιβή για τις υπηρεσίες τους.
- Η τηλεόραση αυτή υποστηρίζει ψηφιακή μετάδοση χρησιμοποιώντας κωδικοποιητές MPEG-2, H.264/MPEG-4 AVC και H.265/HEVC, αλλά η συμβατότητα με τα σήματα των παρόχων/υπηρεσιών, που μπορεί να αλλάξουν με το πέρασμα του χρόνου, δεν είναι εγγυημένη.

Πληροφορίες για το εμπορικό σήμα

- Οι όροι HDMI και HDMI High-Definition Multimedia Interface, καθώς και το λογότυπο HDMI είναι εμπορικά σήματα ή σήματα κατατεθέντα της HDMI Licensing Administrator, Inc. στις Ηνωμένες Πολιτείες και σε άλλες χώρες.
- Το Dolby, Dolby Vision, Dolby Atmos, Dolby Audio και το σύμβολο διπλού D αποτελούν εμπορικά σήματα της Dolby Laboratories. Δημιουργήθηκε με άδεια από την Dolby Laboratories. Απόρρητα μη δημοσιοποιημένα έργα. Copyright © 2012-2018 Dolby Laboratories. Με την επιφύλαξη παντός δικαιώματος.
- Η ονομασία Gracenote, το λογότυπο και η μορφή του λογότυπου Gracenote καθώς και το λογότυπο "Powered by Gracenote" είναι σήματα κατατεθέντα ή εμπορικά σήματα της Gracenote, Inc. στις Ηνωμένες Πολιτείες ή/και σε άλλες χώρες.
- Η ονομασία Google, Google Play, Chromecast, YouTube, Android TV και άλλα σχετικά σήματα και λογότυπα αποτελούν εμπορικά σήματα της Google LLC.

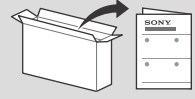
- Για τις ευρεσιτεχνίες DTS, ανατρέξτε στην τοποθεσία <http://patents.dts.com>. Κατασκευάζεται κατόπιν άδειας από την DTS, Inc. Η ονομασία DTS, το σύμβολο, ο συνδυασμός της ονομασίας και του συμβόλου DTS και η ονομασία Digital Surround είναι εμπορικά σήματα κατατεθέντα ή εμπορικά σήματα της DTS, Inc. στις Ηνωμένες Πολιτείες και/ή σε άλλες χώρες. © DTS, Inc. Με την επιφύλαξη παντός δικαιώματος.
- Η ονομασία Netflix είναι σήμα κατατεθέν της Netflix, Inc.
- Η ονομασία DiSEqC™ είναι εμπορικό σήμα της EUTELSAT. Αυτή η τηλεόραση υποστηρίζει το πρωτόκολλο DiSEqC 1.0. Αυτή η τηλεόραση δεν προορίζεται για χειρισμό μηχανοκίνητων κεραιών.
- Η ονομασία TUXERA είναι σήμα κατατεθέν της Tuxera Inc. στις Η.Π.Α και σε άλλες χώρες.
- Όλα τα υπόλοιπα εμπορικά σήματα είναι ιδιοκτησία των αντίστοιχων κατόχων τους.

Kılavuzlar Hakkında

Bu televizyon aşağıdaki kılavuzlarla birlikte gelir. Lütfen kılavuzları ileride başvurmak üzere saklayın.

Kurulum Kılavuzu

- Televizyon montajı ve kurulumu.



Başvuru Kılavuzu (bu kılavuz) / Güvenlik Belgeleri

- Güvenlik bilgileri, uzaktan kumanda, sorun giderme, duvara askı montajı, spesifikasyon vb.



Yardım Kılavuzu (Ekran üstü Kılavuz)

- Ayarlar, Android TV işlevleri, İnternet bağlantısı, sorun giderme vb.
- Açmak için uzaktan kumandada bulunan **HELP** düğmesine basın ve Yardım Kılavuzunu seçin.



- Yardım Kılavuzuna akıllı telefonunuz ile başvurabilirsiniz.



https://rd1.sony.net/help/tv/haep1/h_aep/

ÖNEMLİ – Sony ürününüzü kullanmadan önce Son Kullanıcı Yazılım Lisans Sözleşmesini okuyunuz. Ürününüzü kullanmak, Son Kullanıcı Yazılım Lisans Sözleşmesini kabul ettiğinizi gösterir. Sony ile aranızdaki yazılım lisans sözleşmesi çevrimiçi olarak Sony web sitesinde (<http://www.sony.net/tv-software-licenses/>) veya ürün ekranınızda mevcuttur. [Ayarlar] → [Cihaz Tercihleri] → [Hakkında] → [Yasal bilgiler] → [Bildirimler ve lisanslar] seçeneğine gidin.

Not

- Televizyonu çalıştırmadan önce lütfen okuyun: "Güvenlik Bilgileri".
- Ek güvenlik bilgileri için birlikte verilen güvenlik belgelerini okuyunuz.
- Kurulum Kılavuzu'nda ve kılavuzda kullanılan resimler ve çizimler yalnızca başvuru amaçlıdır ve gerçek üründen farklı olabilir.
- Model adındaki "xx", tasarım, renk veya televizyon sistemi farkı ile ilgili bir rakama karşılık gelmektedir.

Tanım etiketinin konumu

Televizyon Model No, Üretim Tarihi (yıl/ay) ve Güç Beslemesi nominal değerleri için etiketler televizyonun veya ambalajın arkasında bulunur. Bunlar terminal kapağı söküldüğünde görülebilir.

ÖNEMLİ NOT

Radyo Ekipmanı Beyanı

Sony Corporation, KD-85ZH8, KD-75ZH8 radyo ekipmanı türlerinin 2014/53/EU Direktifiyle uyumlu olduğunu beyan etmektedir. AB uygunluk beyanının tam metni, aşağıdaki internet adresinde mevcuttur:

<http://www.compliance.sony.eu/>

Müşteriler için not: Aşağıdaki bilgiler sadece AB yönetmeliklerini uygulayan ülkelerde satılan cihazlar için geçerlidir.

Bu radyo ekipmanı için kullanıma alma hususunda aşağıdaki kısıtlamalar veya kullanım yetkisi gereksinimleri şunlar için geçerlidir: AT, BE, HR, CY, CZ, DK, EE, FI, FR, DE, EL, HU, IE, IT, LV, LT, LU, MT, NL, PL, PT, SK, SI, ES, SE, UK, IS, LI, NO, CH, BG, RO, TR, AL, BA, MK, MD, RS, ME, Kosova : 5.150 - 5.350 MHz bandı, sadece iç mekan işlemleriyle sınırlandırılmıştır.

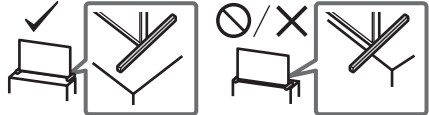
Güvenlik Bilgileri

Montaj/Kurulum

Herhangi bir yangın, elektrik çarpması veya hasar ve/veya yaralanma riskini önlemek amacıyla televizyon setini aşağıdaki talimatlara uygun olarak monte ediniz ve kullanınız.

Montaj

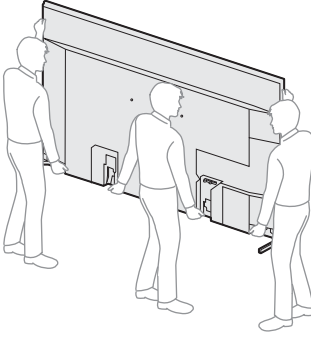
- Televizyon seti, erişimi kolay bir prizın yakınına monte edilmelidir.
- Televizyonun düşüp yaralanma veya maddi hasara yol açmasını önlemek için televizyon setini sabit, düz bir yüzeye yerleştirin.
- Televizyonu çekilemeyeceği, itilemeyeceği veya devrilemeyeceği bir yere kurun.
- Televizyonu televizyonun Masa Üstü Sehpa'sı televizyon standından (ürünle verilmez) dışarı çıkarmayacak şekilde kurun. Masa Üstü Sehpa'sı televizyon sehpasından dışarı çıkarsa, televizyon standından devrilmesine, düşmesine ve ciddi yaralanmalara veya televizyonun hasar görmesine neden olabilir.



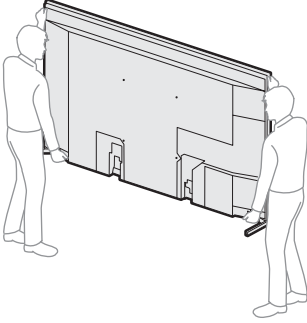
Nakliye

- Televizyon setini taşımadan önce, tüm kablolarını sökünüz.
- Büyük bir televizyon setini taşımak için iki veya üç kişi (KD-85ZH8 için üç veya dört) gerekir.
- Televizyon elle taşınırken aşağıda gösterildiği şekilde tutun. LCD panele ve ekranın etrafındaki muhafaza kasasına baskı uygulamayınız.

KD-85ZH8

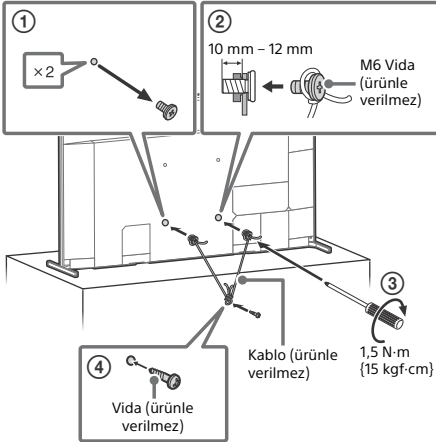


KD-75ZH8

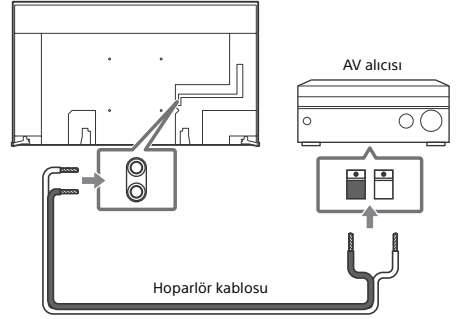


- Televizyon setini taşırken, sarsıntılara ve aşırı titreşimlere maruz bırakmayınız.
- Televizyon setini tamir için taşırken veya yerini değiştirirken, orijinal karton ve ambalaj malzemelerini kullanarak pakitleyiniz.

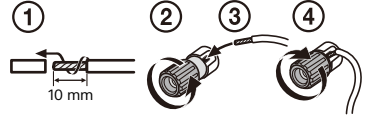
Devrilmenin önlenmesi



TV'yi Merkez Hoparlör Olarak Kullanma



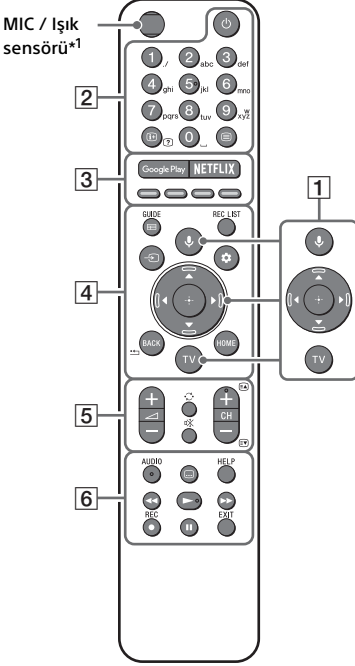
- Kabloları bağlamadan önce, hem televizyonun hem de AV alıcısının elektrik kablolarını prizden çıkartın.
- [Hoparlör] öğesinin [Ses sistemi] olarak ayarlanmış olduğundan emin olun.



CENTER SPEAKER IN bir AV alıcıya bağlanmadığında hisirtiyi önlemek için devre dışı bırakın [TV merkezi hoparlör modu]. Ayrıntılar için Yardım Kılavuzuna başvurun.

Uzaktan Kumanda ve Televizyon

Uzaktan kumandanın şekli, yeri, bulunabilirliği ve uzaktan kumanda düğmesinin çalışma şekli bölgeye/ülkeye/televizyon modeline göre değişir.



- 1 **🔊 (Mikrofon):** Google Asistan^{*2+3} veya sesle arama^{*3} kullanınız. Televizyonunuzu nasıl kontrol edeceğinize ilişkin ipuçları için **🔊 (Mikrofon)** düğmesine basın ve "sesli ipuçları" ifadesini söyleyin.^{*2}

▲/▼/◀/▶/⊕: Ekran üzeri menü navigasyonu ve seçimi.

TV: Televizyon kanal listesini görüntüleyin veya girişe geçiş yapın.

- 2 **⏻ (Televizyon beklemede)**

Rakam düğmeleri

🔍/? (Bilgi/Gizli metni göster): Bilgi gösterir.

📄 (Teletekst): Teletekst bilgisini görüntüler.

- 3 **Google Play / NETFLIX^{*2} / Renkli tuşlar**

- 4 **GUIDE/📺:** Televizyon veya kablolu/uydu kutusu^{*2+4} dijital program kılavuzunu görüntüleyin.

REC LIST: USB HDD/DVR^{*4} Rec listesini görüntüleyin.

➡ **(Giriş seçimi):** Giriş kaynağını vs. görüntüleyin ve seçin.

⚙️ (Hızlı Ayarlar): Hızlı Ayarları Görüntüleyin.

BACK/⏪

HOME

- 5 **⏪ +/- (Ses)**

🔄 (Atla)

🔇 (Sessiz)^{*5}

CH +/-/⏪/⏩: Kanalı veya sonraki (⏪) / önceki (⏩) sayfayı seçin.

- 6 **AUDIO:** Çok dilli kaynağın sesini veya çift ses seçin (program kaynağına bağlı olarak).

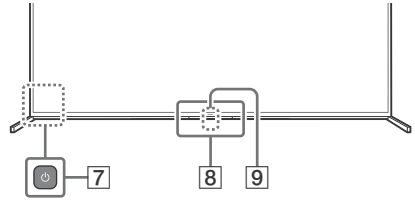
⋮ (Altyazı ayarları)

HELP: Yardım menüsünü gösterir.

⏪/▶/▶▶/||

● **REC:** Şu anda görüntülenen programı USB HDD/DVR'ye^{*4} kaydedin.

EXIT



- 7 **⏻ (Güç)**

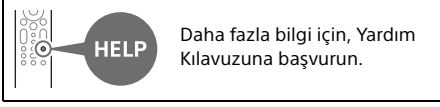
- 8 **Uzaktan kumanda sensörü / Işık sensörü / LED^{*6}**

- 9 **Dahili mikrofon^{*2+3+7}:** Dahili mikrofonu etkinleştirmek için uzaktan kumanda üzerindeki **🔊 (Mikrofon)** düğmesine bakın ve ekrandaki talimatları takip edin.

*1 Uzaktan kumanda arka ışığı, ışık sensörü ortam ışığının düşük olduğunu algıladığında yanacaktır. Arka ışığın otomatik yanması kapatılabilir.

*2 Sadece kısıtlı bölgede/ülkede/televizyon modelinde/dilde.

- *3 Google Asistan veya sesle arama bir İnternet bağlantısı gerektirir.
- *4 [Kablolu/uydu kutusu ayarı] ayarı gereklidir.
- *5 Erişilebilirlik kısayolu ⌘ (Sessiz) düğmesine basılı tutularak kullanılabilir.
- *6 Dahili mikrofon LED'i mevcuttur.
- *7 Dahili mikrofon etkinleştirildiğinde sürekli dinlemede olduğu için bekleme modundaki güç tüketimi artar.



Televizyonu duvara monte etme

Opsiyonel Duvara Askı aparatını kullanma (SU-WL450)* (ürünle verilmez)

Müşterilere:

Ürün koruması ve güvenlik nedenleriyle, Sony televizyonunuzun montajınin kesinlikle Sony bayileri veya lisanslı yüklenicileri tarafından yapılmasını önerir. Cihazı kendiniz monte etmeye çalışmayın.

Sony Bayilerine ve Yüklenicilerine:

Bu ürünün montajı, periyodik bakımı ve muayenesi sırasında emniyete çok dikkat edin.

Duvar Askı Aparatı Montaj Bilgileri

Bu televizyonun kullanım kılavuzunda, televizyonu duvara monte etmeden önce televizyonu duvar montajına hazırlama adımları gösterilmiştir. Duvar Askı Aparatı takma talimatları için Televizyon modelinizin ürün sayfasındaki Kurulum Bilgilerine (Duvar Askı Aparatı) bakın.

<https://www.sony.eu/support>

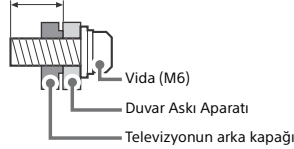
Duvara montaj hazırlığı

Televizyon duvara monte etmeden önce Kurulum Kılavuzu bakarak Masa Üstü Sehpasını bağlamayı unutmayın.

- Kabloları bağlamadan önce televizyonu Duvar Askı Aparatı için hazırlayın.
- Sizin modelinize ait Duvar Askı Aparatı ile birlikte verilen talimat kılavuzuna uyun. Bu televizyonu kurmak, özellikle de duvarın televizyonun ağırlığına dayanacak güçte olduğunu belirlemek için yeterli uzmanlık gereklidir.

- Bu ürünün duvara montajını mutlaka Sony bayilerine veya lisanslı yüklenicilerine yaptırın ve montaj sırasında emniyete gerekli dikkati gösterin. Yanlış taşımanın veya hatalı montajın neden olduğu hasar veya yaralanmalardan Sony sorumlu değildir.
- Duvar Askı Aparatı vidaları ürünle verilmez.
- Duvara monte etme işlemlerini sadece kalifiye servis personeli gerçekleştirmelidir.
- Emniyet nedenlerinden ötürü, Sony aksesuarlarını kullanmanızı önemle tavsiye ederiz, buna aşağıdaki bileşen de dahildir: –Duvar Askı Aparatı SU-WL450
- Duvar Askı Aparatını televizyona takarken, Duvar Askı Aparatı ile verilen vidaları kullandığımızdan emin olun. Ürünle verilen vidalar, şekilde gösterildiği gibi Duvar Askı Aparatının bağlantı yüzeyinden itibaren ölçülerek tasarlanmıştır.

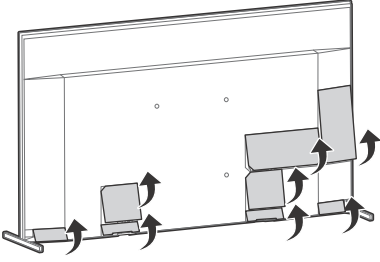
10 mm – 12 mm



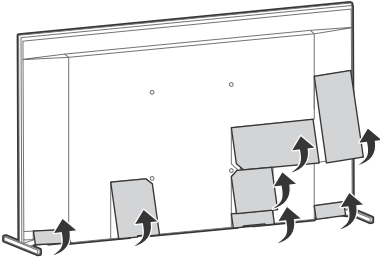
- Masa Üstü Sehpasını takmaya hazır olana kadar, kullanılmayan vidaları ve Masa Üstü Sehpasını güvenli bir yerde tutun. Vidaları küçük çocuklardan uzak tutun.
- * Sadece belirli bölgelerde/ülkelerde/televizyon modellerinde.

1 Terminal kapaklarını sökün.

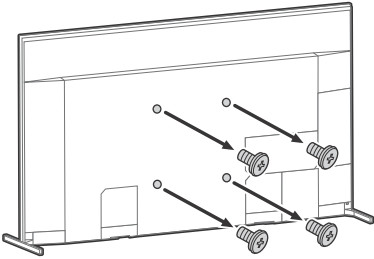
KD-85ZH8



KD-75ZH8



2 Vidaları televizyonun arkasından sökün.



Sorun Giderme

Siyah ekran, ses yok, donmuş görüntü, televizyon yanıt vermiyor ya da ağ kaybedildi gibi sorunlar için genel sorun giderme amacıyla aşağıdaki adımları izleyin.

- 1 Uzaktan kumandanın güç düğmesine yaklaşık beş saniye basarak televizyonunuzu yeniden başlatın. Televizyon yeniden başlatılacaktır. Televizyon düzelmiyorsa, ana elektrik kablosunu prizden çıkarın. Daha sonra TV'deki güç düğmesine basın ve serbest bırakın. İki dakika bekleyin ve güç kablosunu prize takın.
- 2 Uzaktan kumandada **HELP** tuşuna basarak Yardım menüsüne başvurun.
- 3 Televizyonunuzu İnternete bağlayın ve bir yazılım güncellemesi gerçekleştirin. Sony, televizyonunuzun yazılımını hep güncel tutmanızı tavsiye eder. Yazılım güncellemeleri, televizyon performansınızı geliştirir ve yeni özellikler ekler.
- 4 Sony destek web sitesini ziyaret edin (bilgiler bu kılavuzun sonunda verilmiştir).

Televizyonun fişini takıp tekrar çıkarttığınızda, uzaktan kumandadaki veya televizyondaki güç düğmesine basarsanız bile televizyon bir süre açılmayabilir.


Sistemin başlatılması zaman alır. Yaklaşık bir dakika bekleyip tekrar çalıştırın.

Uzaktan kumanda çalışmıyor.

- Pilleri değiştirin.

Ebeveyn kilidi şifresi unutuldu.

- PIN için 9999 sayısını girin ve yeni PIN girin.



Sorun giderme hakkında daha fazla bilgi için Yardım Kılavuzuna bakın.

Spesifikasyonlar

Sistem

Panel Sistemi: LCD (Sıvı Kristal Ekran) Panel, LED'li arkadan aydınlatma

Televizyon Sistemi: Ülkenize/alan seçiminize/televizyon modelinize bağlı olarak

Analog: B/G, D/K, I

Dijital: DVB-T/DVB-C/DVB-T2*1

Uydu*1: DVB-S/DVB-S2

Renk Sistemi: PAL/SECAM/NTSC3.58 (Sadece video)/NTSC4.43 (Sadece video)

Kanal kapsamı: Ülkenize/alan seçiminize/televizyon modelinize bağlı olarak

Analog: UHF/VHF/Kablolu

Dijital: UHF/VHF/Kablolu

Uydu*1: IF Frekansı 950-2.150 MHz

Ses çıkışı: 12,5 W + 12,5 W + 12,5 W + 12,5 W + 5 W + 5 W

Kablosuz teknolojisi

IEEE 802.11a/b/g/n/ac protokolü

Bluetooth® Sürümü 4.2

Frekans bandı/bantları

Frekans aralığı	Çıkış Gücü
Kablosuz LAN (TV)	
2.400-2.483,5 MHz	< 20,0 dBm
5.150-5.250 MHz	< 23,0 dBm
5.250-5.350 MHz	< 20,0 dBm
5.470-5.725 MHz	< 20,0 dBm
5.725-5.850 MHz	< 13,9 dBm
Bluetooth® (TV)	
2.400-2.483,5 MHz	< 10,0 dBm
Bluetooth® (Uzaktan kumanda)	
2.400-2.483,5 MHz	< 10,0 dBm

Giriş/Çıkış jekleri

Anten/kablo

VHF/UHF için 75 ohm harici terminal

Uydu anteni*1

Dişi F tipi Konektör, 75 ohm.

DiSEqC 1.0, LNB 13 V/18 V ve 22 kHz ton, Tek Kablo Dağıtım EN50494.

AV IN

Video/Ses girişi (mini jak)

HDMI IN 1/2/3/4 (HDCP 2.3-uyumlu)

Video:

4096 × 2160p (50, 60 Hz)*2*3, 4096 × 2160p (24 Hz)*2, 3840 × 2160p (50, 60 Hz)*3, 3840 × 2160p (24, 25, 30 Hz), 1080p (30, 50, 60, 100, 120 Hz), 1080/24p, 1080i (50, 60 Hz), 720p (30, 50, 60 Hz), 720/24p, 576p, 480p, PC Formatları*4
7680 × 4320p (24, 25, 30, 50, 60 Hz)*4*5, 3840 × 2160p (100, 120 Hz)*4*5

Ses:

eARC (Enhanced Audio Return Channel) modunda

Ayrıntılar için Yardım Kılavuzuna bakın.

eARC modu hariç

5,1 kanal doğrusal PCM: 32/44,1/48/88,2/96/176,4/192 kHz 16/20/24 bit, Dolby Audio, Dolby Atmos, DTS

eARC/ARC (Enhanced Audio Return Channel/ Audio Return Channel) (Sadece HDMI IN 3)*6

eARC modunda

Ayrıntılar için Yardım Kılavuzuna bakın.

ARC modunda

İki kanal doğrusal PCM: 48 kHz 16 bit, Dolby Audio, Dolby Atmos, DTS

↻ DIGITAL AUDIO OUT (OPTICAL)

Dijital optik jak (İki kanal doğrusal PCM: 48 kHz 16 bit, Dolby Audio, DTS)

🎧 (Stereo Mini Jak)

Kulaklık

🔌 1, 🔌 2, 🔌 3 (HDD REC)*7

USB cihaz portu (🔌 3 Kayıt özelliği için USB HDD cihazı)

1 ve 2 USB portu High Speed USB'yi (USB 2.0) destekler

3 USB portu Super Speed USB'yi (USB 3.1 Gen 1) destekler

📺

CAM (Koşullu Erişim Modülü) yuvası

📶

LAN

10BASE-T/100BASE-TX konektörü (Ağın çalışma ortamına bağlı olarak bağlantı hızı değişebilir. İletişim hızı ve iletişim kalitesi garanti edilmez.)

CENTER SPEAKER IN

Orta hoparlör girişi (bağlantı konektörü)

Güç, Ürün Fişi ve diğerleri

Güç gereksinimleri

220 V - 240 V AC, 50 Hz

Enerji Verimliliği Sınıfı

KD-85ZH8: C

KD-75ZH8: C

Ekran boyutu (çarpraz ölçü) (yakl.)

KD-85ZH8: 214,8 cm / 85 inç

KD-75ZH8: 189,3 cm / 75 inç

Güç tüketimi

[Standart] modunda

KD-85ZH8: 487 W

KD-75ZH8: 361 W

[Canlı] modunda

KD-85ZH8: 815 W

KD-75ZH8: 590 W

Yıllık enerji tüketimi*8

KD-85ZH8: yılda 675 kWh

KD-75ZH8: yılda 501 kWh

Bekleme modunda güç tüketimi*9*10

KD-85ZH8: 0,50 W (Yazılım/EPG güncelleme modunda 63 W)

KD-75ZH8: 0,50 W (Yazılım/EPG güncelleme modunda 52 W)

Görüntü çözünürlüğü

7.680 nokta (yatay) × 4.320 satır (dikey)

Nominal çıkış

USB 1/2

5 V \equiv , 500 mA maks.

USB 3

5 V \equiv , 900 mA maks.

Boyutlar (yakl.) (g × y × d) (cm)

Masa Üstü Sehpaası ile

Standart konum:

KD-85ZH8: 192,0 × 111,7 × 42,8

KD-75ZH8: 169,6 × 98,6 × 35,6

Dar konum:

KD-85ZH8: 190,4 × 112,0 × 42,8

KD-75ZH8: 168,0 × 98,9 × 35,6

Masa Üstü Sehpaası olmadan

KD-85ZH8: 190,4 × 110,9 × 8,4

KD-75ZH8: 168,0 × 97,7 × 8,4

Sehpa genişliği (yakl.) (cm)

Standart konum:

KD-85ZH8: 192,0

KD-75ZH8: 169,6

Dar konum:

KD-85ZH8: 86,5

KD-75ZH8: 62,3

Ağırlık (yakl.) (kg)

Masa Üstü Sehpaası ile

Standart konum:

KD-85ZH8: 67,8

KD-75ZH8: 49,9

Dar konum:

KD-85ZH8: 67,3

KD-75ZH8: 49,4

Masa Üstü Sehpaası olmadan

KD-85ZH8: 65,6

KD-75ZH8: 47,9

Diğer

Opsiyonel aksesuarlar

Duvar Askı Aparatı: SU-WL450

Çalışma sıcaklığı: 0 °C ila 40 °C

Çalışma nem: %10 ila %80 bağıl nem (yoğuşmasız)

*1 DVB-T2 ya da DVB-S/S2 teknolojisi veya uydu anten terminali tüm televizyon setlerinde bulunmaz.

*2 Giriş 4096 × 2160p olduğunda ve [Geniş Mod] [Normal] olarak ayarlandığında, çözünürlük 3840 × 2160p olarak gösterilir. 4096 × 2160p olarak görüntülemek için [Geniş Mod]'i [Full 1] veya [Full 2] olarak ayarlayın.

*3 18 Gbps'i desteklemek için [HDMI sinyal formatı]'ı Gelişmiş format olarak ayarlayın.

*4 Ayrıntılar için çevrimiçi Yardım Kılavuzuna bakınız.

*5 Sadece HDMI IN 4.

*6 Ses sisteminize televizyonun sesini bağlamak için ses sisteminizi HDMI IN 3'ye bağlayın.

*7 Sadece belirli bölgelerde/ülkelerde/televizyon modellerinde.

*8 Televizyonun 365 gün boyunca günde 4 saat çalıştırıldığındaki güç tüketimi baz alındığında kWh cinsinden yıl başına enerji tüketimidir. Gerçek enerji tüketimi televizyonun nasıl kullanıldığına bağlı olarak değişecektir.

*9 Belirtilen bekleme durumundaki güce, sadece televizyon gerekli işlemleri tamamladıktan sonra ulaşılır.

*10 Televizyon ağa bağlandığında bekleme modundaki güç tüketimi artar.

Not

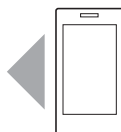
- Opsiyonel aksesuarlar ülkeye/bölgeye/televizyon modeline/stok durumuna göre bulunur.
- Tasarım ve spesifikasyonlarda bilgi vermeksizin değişiklik yapılabilir.
- Hizmetler ve uygulamalar için abonelik gerekebilir ve Google Asistan'ı kullanırken ek şartlar, koşullar ve/veya ücretler geçerli olabilir.

Dijital TV fonksiyonu hakkında

- Dijital TV (DVB karasal, uydu ve kablo), interaktif hizmetler ve ağ işlevleri tüm ülkelerde veya bölgelerde kullanılamayabilir. Bazı işlevler etkinleştirilemeyebilir veya bazı sağlayıcılar ve ağ ortamlarında düzgün çalışmayabilir. Bazı TV hizmeti sağlayıcıları, hizmetleri için bir ücret talep edebilir.
- Bu TV, MPEG-2, H.264 / MPEG-4 AVC ve H.265 / HEVC kodlayıcı-kod çözücülerini kullanarak dijital yayını desteklemektedir; ancak, zaman içinde değişebilecek olan tüm operatör / servis sinyalleriyle uyumluluk garanti edilemez.

Ticari markaya ilişkin bilgi

- HDMI ve HDMI High-Definition Multimedia Interface terimleri ve HDMI Logosu, HDMI Licensing Administrator, Inc. şirketinin ABD'deki ve diğer ülkelerdeki ticari markası ya da tescilli markasıdır.
- Dolby, Dolby Vision, Dolby Atmos, Dolby Audio ve çift D sembolü, Dolby Laboratories'ın ticari markalarıdır. Dolby Laboratories lisansı altında üretilmiştir. Gizli yayınlanmayan çalışmalar. Telif hakkı © 2012-2018 Dolby Laboratories. Tüm hakları saklıdır.
- Gracenote, Gracenote logosu ve logo türü, "Powered by Gracenote" logosu, Gracenote Inc.'nin Amerika Birleşik Devletleri ve/veya diğer ülkelerde tescilli ticari markaları veya ticari markalarıdır.
- Google, Google Play, Chromecast, YouTube, Android TV ve diğer ilgili işaretler ve logolar Google LLC kuruluşunun ticari markalarıdır.
- DTS patentleri için, <http://patents.dts.com> adresini ziyaret edin. DTS, Inc.'in lisansı altında üretilmiştir. DTS, Sembol, DTS ve Sembol her ikisi birlikte ve Digital Surround, DTS Inc. şirketinin Amerika Birleşik Devletleri ve/veya diğer ülkelerdeki tescilli ticari markalarıdır veya ticari markalarıdır. © DTS, Inc. Tüm hakları saklıdır.
- Netflix, Netflix, Inc.'nin tescilli ticari markasıdır.
- DiSEqC™, EUTELSAT'ın bir ticari markasıdır. Bu televizyon DiSEqC 1.0'ı destekler. Bu televizyon motorlu antenleri kumanda etmek için tasarlanmamıştır.
- TUXERA, A.B.D. ve diğer ülkelerde Tuxera Inc.'in tescilli ticari markasıdır.
- Diğer bütün ticari markalar ilgili sahiplerinin mülkiyetindedir.



Support / Assistance / Soporte / Ondersteuning / Unterstützung /
Suporte / Supporto / Support / Support / Tuki / Brukerstøtte /
Wsparcie / Podpora / Podpora / Tāmogatás / Asistență /
Поддръжка / Υποστήριξη / Destek

<https://www.sony.eu/support>