

ROWENTA

DX15XX



www.rowenta.com

EN

FR

DE

PT

ES

IT

TR

PL

CS

HU

SL

SK

BG

SR

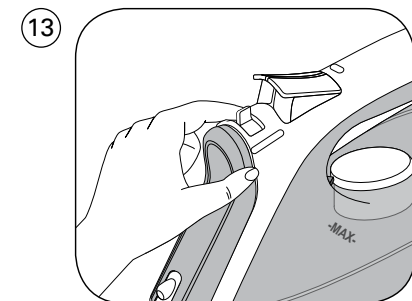
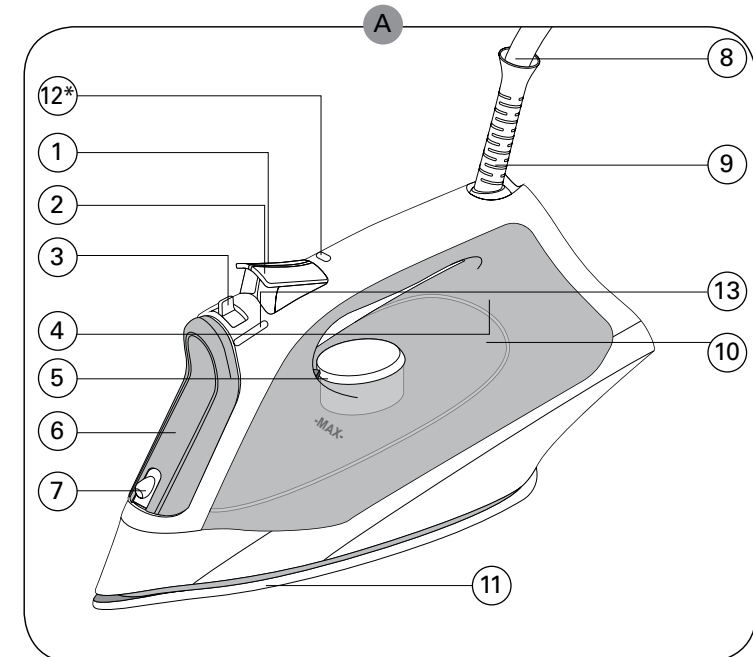
HR

RO

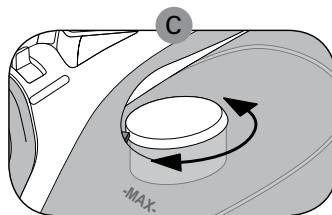
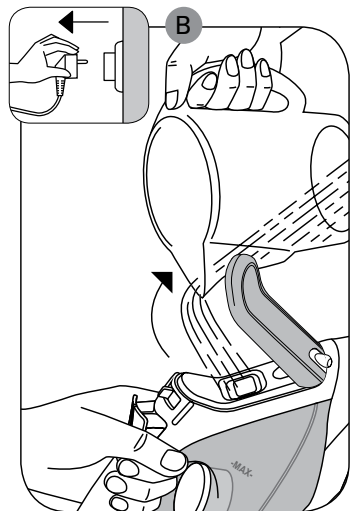
ET

LV

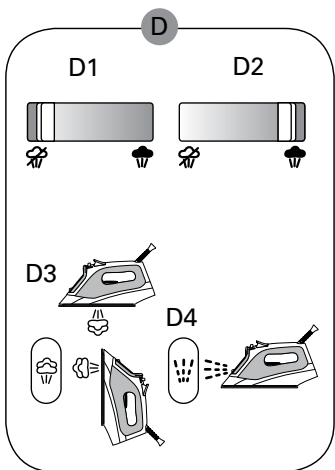
LT



* EN depending on models / FR selon modèle / DE je nach Modell / PT consoante o modelo / ES según el modelo / IT in base al modello / TR örnekteki gibi / PL Zależnie od modelu / CS podle modelu / SK podľa modelu / BG В зависимост от модела / SR u zavisnosti od modela / HR ovisno o modelu / RO În funcție de model / ET Vastavalt mudelitele / LV Atkarībā no modeļa / LT Pagal modelius



●	●●	●●●
SYNTHETICS	SILK / WOOL	COTTON / LINEN
SYNTHETIK	SEIDE / WOLLE	BAUMW. /
SYNTHÉTIQUES	SOIE / LA INE	LEINEN
CHEMIEVEZELS	ZIJDE / WOL	COTON / LIN
FIBRAS QUIMICAS	SEDA / LANA	KATOEN / LINNEN
FIBRE SINTETICHE	SETE / LANA	ALGODÓN / LINO




Important safety recommendations

- Please read these instructions carefully before first use. This product has been designed for domestic and indoor use only. Any commercial use, inappropriate use or failure to comply with the instructions, the manufacturer accepts no responsibility and the guarantee will not apply.
- Never unplug the appliance by pulling the power cord. Always unplug your appliance: before filling the water tank or rinsing the water tank, before cleaning the appliance, after each use.
- The appliance must be used and placed on a flat, stable, heat-resistant surface. When you place the iron on the iron rest, make sure that the surface on which you place it is stable.
- This appliance is not intended to be used by persons (including children) with reduced or impaired physical, sensory or mental capacities or persons lacking appropriate knowledge or experience, unless a person responsible for their safety provides either supervision or appropriate instructions concerning use of the appliance prior to its use.
- Children should be supervised to ensure they do not play with the appliance.
- This appliance may be used by children aged 8 or over and persons lacking appropriate knowledge or experience or persons with reduced or impaired physical, sensory or mental capacities provided that they have been thoroughly instructed regarding use of the appliance, are supervised, and understand the risks involved. Children shall not play with the appliance. Cleaning and user maintenance shall not be made by children without supervision. Keep the iron and its cord out of reach of children less than 8 years of age when it is energized or cooling down.
- ⚠ • The surfaces of your appliance can reach very high temperatures when functioning, which may cause burns. Do not touch the hot surfaces of the appliance (accessible metal parts and plastic parts adjacent to the metallic parts).
- Never leave the appliance unattended when it is connected to the mains. Before storing the appliance, once it is unplugged, please wait until it has cooled down (around 1 hour).
- The appliance must not be used if it has been dropped,

if it has any visible damage, if it leaks, or if it functions abnormally in any way. Do not attempt to dismantle your appliance: have it examined at an Approved Service Centre to avoid any danger.

- The iron should only be used with the base provided (for cordless irons).
- Check the electrical power for sign of wear or damage prior to use. If the electrical power cord is damaged, it must be replaced at an Approved Service Centre to avoid any danger.

- The iron must always be placed on its base and never on its heel (for cordless irons) .
- Your iron and its base must be used and placed on a stable surface. When you place the iron on its base, ensure that the surface on which the base is placed is stable.
- For your safety, this appliance conforms to all applicable regulations (Low Voltage Directive, Electromagnetic Compatibility, Environment, etc).
- Your steam iron is an electrical appliance: it must be used under normal conditions of use. It is designed for domestic use only.
- Always plug your steam iron:
 - into a mains circuit with voltage between 220 V and 240 V,
 - into an earthed electrical socket.
 Connecting to the wrong voltage may cause irreparable damage to the appliance and will invalidate your guarantee. If you are using a mains extension lead, ensure that it is correctly rated (16A) with an earth, and is fully extended.
- Completely unwind the power cord before plugging into an earthed socket.
- The soleplate of your iron can reach extremely high temperatures, and can cause burns: do not touch them. Never touch the electrical power cords with the soleplate of the iron.
- Your appliance emits steam, which can cause burns. Always handle the iron with care, especially when ironing vertically. Never direct the steam towards people or animals.
- Never immerse your steam iron in water or any other liquid. Never place it under a running tap.
- The plug must be removed from the socket-outlet before the water reservoir is filled with water.

Before first use

When you first use the iron, some smoke or a harmless odour may be produced or there may be a small discharge of particles. This will not affect the use of the iron and will disappear quickly.

What water to use?

Tap water can be used. If the water is very hard, we recommend a mixture of 50 % tap water and 50 % demineralised water.

Take care not to use water containing any additives (such as starch, ironing water, scent, aromatic substances, softener, etc.), nor water from batteries or condensation water (for example from condensation dryers), which risk causing permanent damage to the steam function of the soleplate.

Please do not use scale-removing products, which risk damaging the lining of the steam chamber and thereby impairing the flow of steam.

PLEASE RETAIN THIS INSTRUCTION BOOKLET FOR FUTURE REFERENCE



Environment protection first !

- ① Your appliance contains valuable materials which can be recovered or recycled.
- ② Leave it at a local civic waste collection point.

APPLIANCE DESCRIPTION

- | | |
|--|---|
| <ol style="list-style-type: none"> 1. Spray button 2. Power steam button 3. Variable steam control 4. Temperature indicator light 5. Thermostat control 6. Filling inlet 7. Spray 8. Power cable | <ol style="list-style-type: none"> 9. Cable outlet 10. Water container with maximum water level indicator 11. Soleplate 12. Auto-off light* 13. Anticalc-removable valve <p>*Depending on the model.</p> |
|--|---|

BEFORE USE

First remove the soleplate protector.

A little steam and odours may be released, but this will subside quickly. It is advised that steam is generated

for at least a minute after filling while the iron heats up, to eliminate any manufacturing residue from the soleplate.

Obsah je uzamčen

Dokončete, prosím, proces objednávky.

Následně budete mít přístup k celému dokumentu.



Proč je dokument uzamčen? Nahněvat Vás rozhodně nechceme. Jsou k tomu dva hlavní důvody:

- 1) Vytvořit a udržovat obsáhlou databázi návodů stojí nejen spoustu úsilí a času, ale i finanční prostředky. Dělali byste to Vy zadarmo? Ne*. Zakoupením této služby obdržíte úplný návod a podpoříte provoz a rozvoj našich stránek. Třeba se Vám to bude ještě někdy hodit.

**) Možná zpočátku ano. Ale vězte, že dotovat to dlouhodobě nelze. A rozhodně na tom nezbohatneme.*

- 2) Pak jsou tady „roboti“, kteří se přiživují na naší práci a „vysávají“ výsledky našeho úsilí pro svůj prospěch. Tímto krokem se jim to snažíme překazit.

A pokud nemáte zájem, respektujeme to. Urgujte svého prodejce. A když neuspějete, rádi Vás uvidíme!