



Russell Hobbs



25230-56

 www.russellhobbs.com

GB

DE

FR

NL

IT

ES

PT

DK

SE

NO

FI

RU

CZ

SK

PL

HR

SI

GR

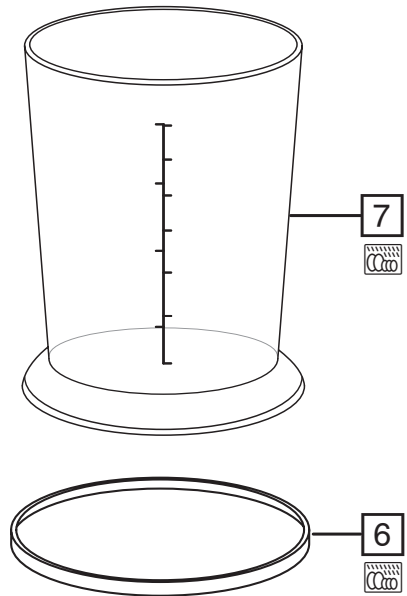
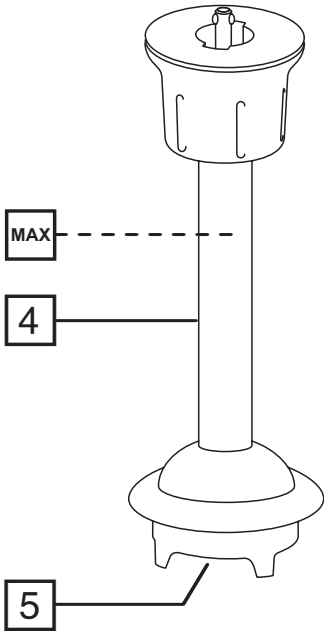
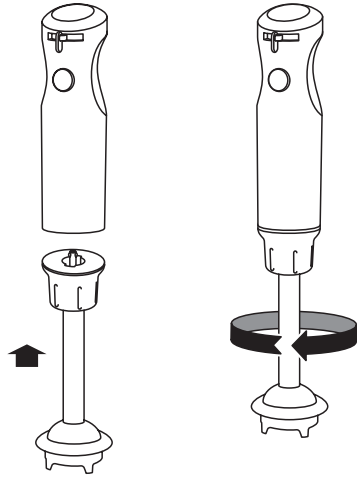
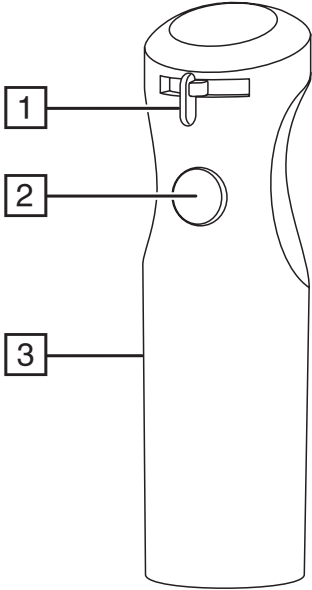
HU

TR

RO

BG

AE



Read the instructions, keep them safe, pass them on if you pass the appliance on. Remove all packaging before use.



IMPORTANT SAFEGUARDS

Follow basic safety precautions, including:

This appliance can be used by persons with reduced physical, sensory or mental capabilities or lack of experience and knowledge if they have been supervised/instructed and understand the hazards involved. Children must not use or play with the appliance. Keep the appliance and cable out of reach of children.

⚠ To avoid injury, take care handling the blades, emptying the bowl, and cleaning.

Misuse of the appliance may cause injury.

Unplug the appliance before assembly, disassembly, or cleaning.

Don't leave the appliance unattended while plugged in.

If the cable is damaged, it must be replaced by the manufacturer, its service agent, or someone similarly qualified, to avoid hazard.

⊘ Do not use this appliance near bathtubs, showers, basins or other vessels containing water.

- Don't use the wand in hot oil – even moderately hot oil can cause a nasty burn.
- Don't fit an attachment or accessory other than those we supply.
- Don't use the appliance for any purpose other than those described in these instructions.
- Don't operate the appliance if it's damaged or malfunctions.
- Don't run the motor continuously for more than 2 minutes, it may overheat. After 2 minutes switch off for at least 2 minutes, to recover.

HOUSEHOLD USE ONLY

DIAGRAMS

- | | |
|--------------------|---|
| 1. Speed control | 5. Blade |
| 2. Switch | 6. Non-slip base |
| 3. Motor unit | 7. Beaker |
| 4. Wand attachment |  dishwasher safe |

FITTING/REMOVING ATTACHMENTS

1. Unplug the appliance before fitting or removing attachments.
2. To fit an attachment, push it on to the end of the motor unit, and turn it clockwise.
3. To remove the attachment, turn it anti-clockwise, then pull the attachment off the motor unit.

USING

1. Put the plug into the power socket.
2. Press the switch to start the motor, release it to switch off.
3. Turn the speed control to the speed you want (1 = low, 2 = high).

Generally, the wand can do anything a normal blender can do. You can blend, pulp or purée ingredients in the pan or bowl you're going to cook them in.

Whatever container you use, make sure it's on a stable, flat surface, and support it with your free hand, to prevent it wandering over the work surface.

Obsah je uzamčen

Dokončete, prosím, proces objednávky.

Následně budete mít přístup k celému dokumentu.



Proč je dokument uzamčen? Nahněvat Vás rozhodně nechceme. Jsou k tomu dva hlavní důvody:

- 1) Vytvořit a udržovat obsáhlou databázi návodů stojí nejen spoustu úsilí a času, ale i finanční prostředky. Dělali byste to Vy zadarmo? Ne*. Zakoupením této služby obdržíte úplný návod a podpoříte provoz a rozvoj našich stránek. Třeba se Vám to bude ještě někdy hodit.

**) Možná zpočátku ano. Ale vězte, že dotovat to dlouhodobě nelze. A rozhodně na tom nezbohatneme.*

- 2) Pak jsou tady „roboti“, kteří se přiživují na naší práci a „vysávají“ výsledky našeho úsilí pro svůj prospěch. Tímto krokem se jim to snažíme překazit.

A pokud nemáte zájem, respektujeme to. Urgujte svého prodejce. A když neuspějete, rádi Vás uvidíme!