

BRAUN

PurEase



Type FP301AI

Register your product
www.braunhousehold.com

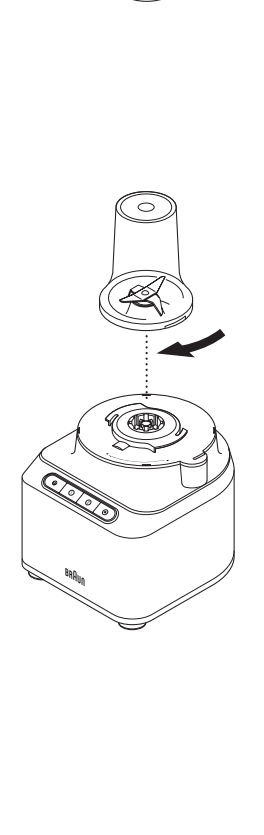
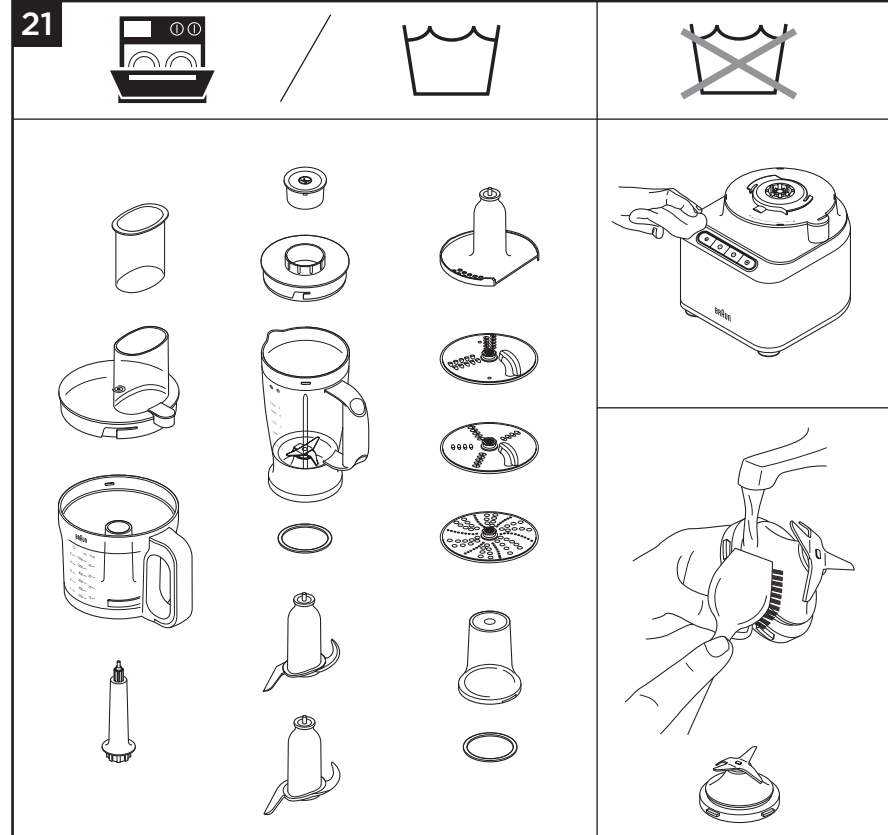
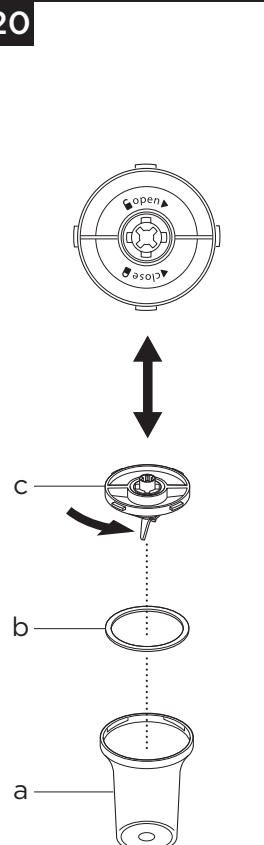
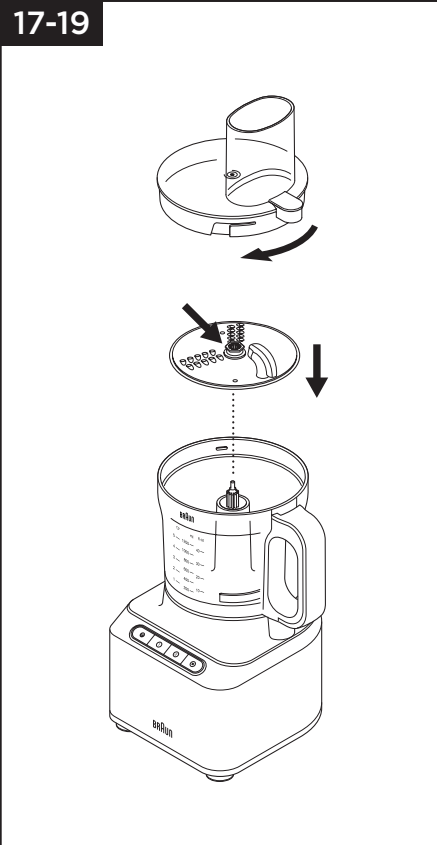
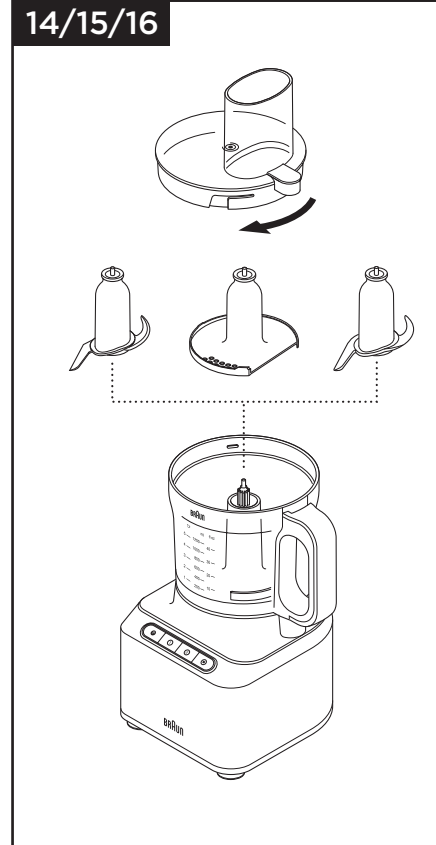
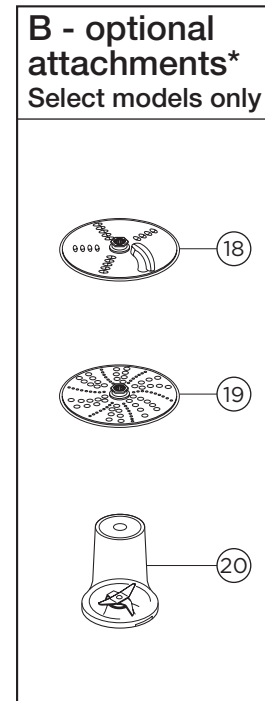
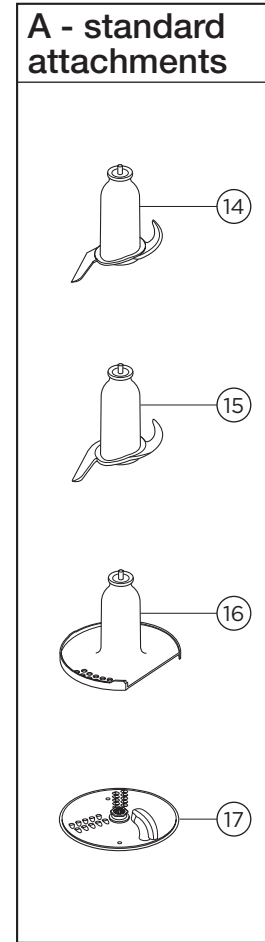
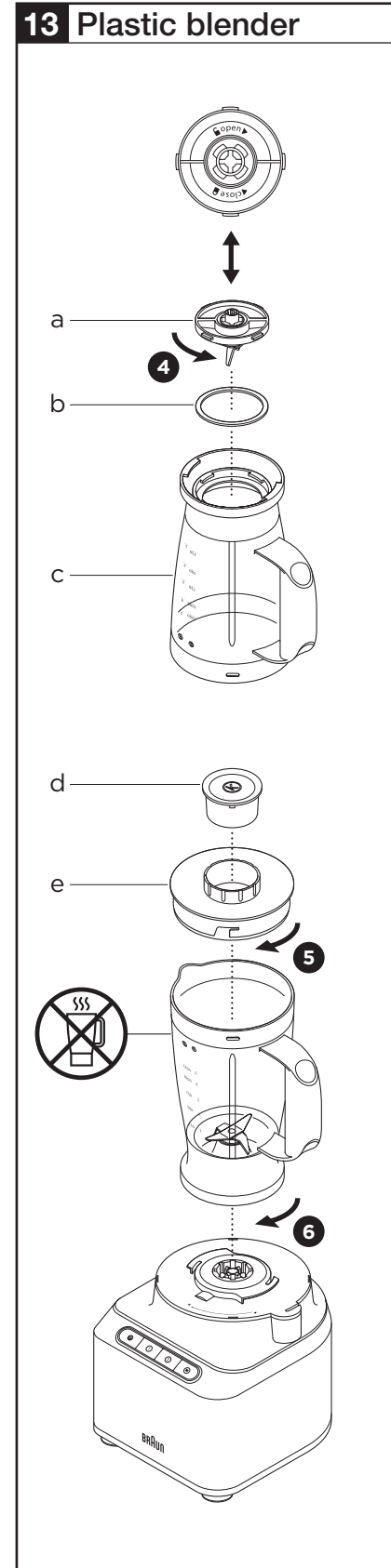
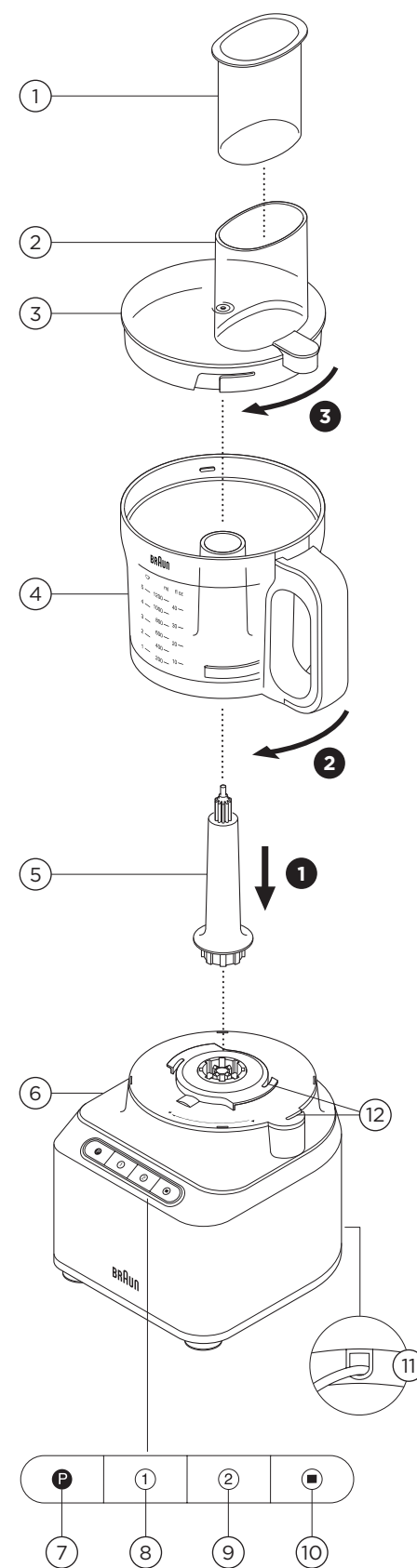
FP 3131
FP 3132

| | |
|------------|-----------|
| English | 2 - 7 |
| Nederlands | 8 - 14 |
| Français | 15 - 21 |
| Deutsch | 22 - 28 |
| Italiano | 29 - 35 |
| Português | 36 - 42 |
| Español | 43 - 49 |
| Dansk | 50 - 55 |
| Svenska | 56 - 61 |
| Norsk | 62 - 67 |
| Suomi | 68 - 73 |
| Türkçe | 74 - 79 |
| Česky | 80 - 85 |
| Magyar | 86 - 91 |
| Polski | 92 - 98 |
| Ελληνικά | 99 - 105 |
| Slovenčina | 106 - 112 |
| Українська | 113 - 119 |
| عربي | ١٢٠ - ١٢٦ |

De'Longhi Braun Household GmbH
Carl-Ulrich-Straße 4
63263 Neu-Isenburg/Germany

© Copyright 2019 All rights reserved





English

Safety

- Read these instructions carefully and retain for future reference.
- Remove all packaging and any labels.
- If the plug or cord is damaged it must, for safety reasons, be replaced by Braun or an authorised Braun repairer in order to avoid a hazard.
- **DO NOT touch the sharp blades.** The blender/mill assembly, knife blade and discs are very sharp, handle with care. **Always hold by the finger grip at the top, away from the cutting edge, both when handling and cleaning.**
- **DO NOT process hot ingredients.**
- **SCALD RISK:** Hot ingredients must be allowed to cool to room temperature before placing in the bowl, goblet, mill or before blending.
- Never leave the appliance unattended when it is operating.
- Do not exceed the maximum capacities stated in the recommended usage chart.
- **Do not operate your appliance for longer than the times specified below without a rest period. Processing continuously for longer periods can damage your appliance.**

| Function/Attachment | Maximum Operation Time | Rest Period Between Operations |
|---|------------------------|--|
| Blender | 60 secs | Unplug the appliance and allow to cool down for 15 minutes |
| Heavy mixtures in the bowl (e.g. Dough) | 60 secs | |
| Mini chopper/mill | 30 secs | |

- Do not lift or carry the processor by the handle - or the handle may break resulting in injury.
- Always remove the knife blade before pouring contents from the bowl.
- Keep hands and utensils out of the processor bowl and blender goblet whilst connected to the power supply.
- Switch off and unplug: before fitting or removing parts, when not in use and before cleaning.
- Never use your fingers to push food down the feed tube. Always use the pusher supplied.
- **Never fit the blade assembly to the power unit without the goblet or mill jar fitted.**
- Before removing the lid from the bowl, blender or mill from the power unit:
 - switch off;
 - wait until the attachment/blades have completely stopped;
 - be careful not to unscrew the blender goblet or mill jar from the blade assembly.
- Do not use the lid to operate the processor, always use the 'OFF' button.
- **This appliance will be damaged and may cause injury if the interlock mechanism is subjected to excessive force.**

- **Always unplug your food processor when not in use.**
- Never use an unauthorised attachment.
- Never use a damaged appliance. Get it checked or repaired: see 'service and customer care'.
- Never let the power unit, cord or plug get wet.
- Do not let excess cord hang over the edge of a table or worktop or touch hot surfaces.
- Children should be supervised to ensure that they do not play with the appliance.
- This appliance shall not be used by children. Keep the appliance and its cord out of reach of children.
- Appliances can be used by persons with reduced physical, sensory or mental capabilities or lack of experience and knowledge if they have been given supervision or instruction concerning use of the appliance in a safe way and if they understand the hazards involved.
- Only use the appliance for its intended domestic use. Braun will not accept any liability if the appliance is subject to improper use, or failure to comply with these instructions.
- Misuse of your processor, blender or mill can result in injury.
- The maximum rating is based on the attachment that draws the greatest load. Other attachments may draw less power.

Blender

- Only operate the blender with the lid in place.
- Only use the goblet with the blade assembly supplied.
- Never run the blender empty.
- Smoothie recipes - never blend frozen ingredients that have formed a solid mass during freezing, break it up before adding to the goblet.

Mini chopper/mill

- Never unscrew the jar while the mill is fitted to your appliance.
- Never remove the mill until the blades have completely stopped.
- The appliance will not work if the mill is incorrectly fitted.

Slicing/Grating Discs

- Never remove the lid until the cutting disc has completely stopped.

Before plugging in

- Make sure your electricity supply is the same as the one shown on the underside of your appliance.
- This appliance conforms to EC Regulation 1935/2004 on materials and articles intended to come into contact with food.

Obsah je uzamčen

Dokončete, prosím, proces objednávky.

Následně budete mít přístup k celému dokumentu.



Proč je dokument uzamčen? Nahněvat Vás rozhodně nechceme. Jsou k tomu dva hlavní důvody:

- 1) Vytvořit a udržovat obsáhlou databázi návodů stojí nejen spoustu úsilí a času, ale i finanční prostředky. Dělali byste to Vy zadarmo? Ne*. Zakoupením této služby obdržíte úplný návod a podpoříte provoz a rozvoj našich stránek. Třeba se Vám to bude ještě někdy hodit.

**) Možná zpočátku ano. Ale vězte, že dotovat to dlouhodobě nelze. A rozhodně na tom nezbohatneme.*

- 2) Pak jsou tady „roboti“, kteří se přiživují na naší práci a „vysávají“ výsledky našeho úsilí pro svůj prospěch. Tímto krokem se jim to snažíme překazit.

A pokud nemáte zájem, respektujeme to. Urgujte svého prodejce. A když neuspějete, rádi Vás uvidíme!