

# ROVUS®



**PLUG IN PURIFIER**  
**MODEL NO.: TS - 23744**

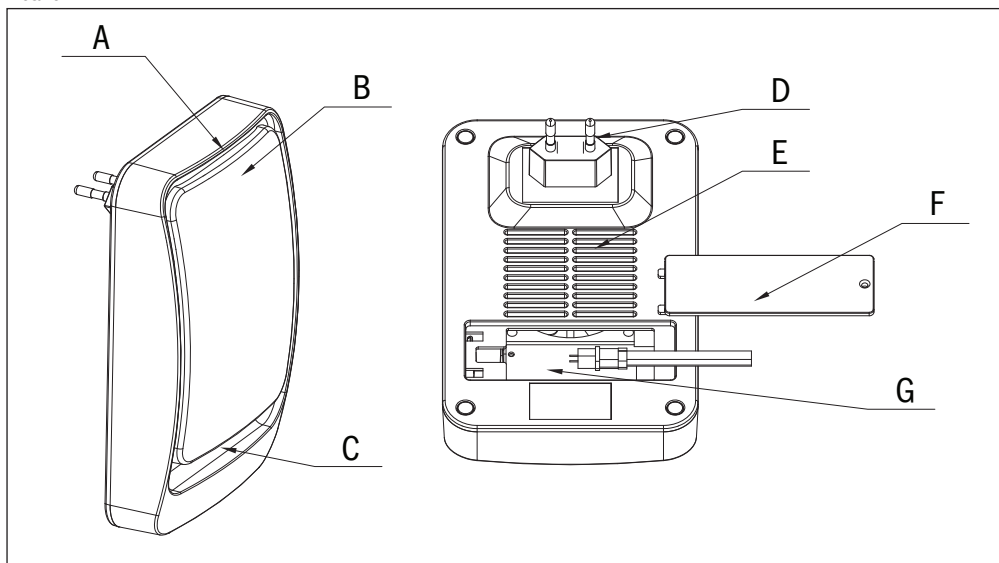
## USER MANUAL

Please read this manual thoroughly before using and save it for future reference.

EN.....	3	LV.....	24
AL.....	4	MD.....	26
BG.....	6	ME.....	27
BIH.....	9	MK.....	29
CZ.....	11	PL.....	31
EE.....	13	RO.....	33
HR.....	15	RS.....	34
HU.....	17	RU.....	36
KS.....	19	SI.....	39
KZ.....	21	SK.....	41
LT.....	22	UA.....	42

(EN) PICTURES / (AL) FOTOGRAFIN / (BG) ИЛЮСТРАЦИИ / (BIH) SLIKE / (CZ) OBRÁZKY / (EE) JOONISED / (HR) SLIKE / (HU) KÉPEK / (KS) FOTOGRAFIN / (KZ) СУРЕТТЕР / (LT) PAVEIKSLIUKAI / (LV) ATTĒLI / (MD) IMAGINI / (ME) SLIKE / (MK) СЛИКИ / (PL) RYSUNKI / (RO) IMAGINI / (RS) SLIKE / (RU) RYSUNKI / (SI) SLIKE / (SK) OBRÁZKY / (UA) МАЛЮНКИ

Picture 1



Please read this manual thoroughly before using and save it for future reference.

## WARNINGS

1. This appliance can be used by children aged from 8 years and above and persons with reduced physical, sensory or mental capabilities or lack of experience and knowledge if they have been given supervision or instruction concerning use of the appliance in a safe way and understand the hazards involved.
2. Children shall not play with the appliance.
3. Cleaning and user maintenance shall not be made by children without supervision.
4. This device is intended for household, indoor and dry use only.
5. Do not use in areas where liquid splashes or accidental fall of device can occur.
6. Do not touch the device with wet hands or clean it with water or liquid cleaners. Do not insert any objects into the openings and/or block the airflow.
7. This product is not a toy. Close attention is necessary when used by or near children or pets. Never use this product on persons or pets.
8. Plug in power supply that corresponds to the rated one on product only. In case of misuse power supply or device failure may occur.
9. If the device is not working as it should, has received a sharp blow, has been dropped, damaged, left outdoors or dropped into water, do not use it.
10. This device should never be switched on or stay plugged in power supply when not in use, while replacing accessories or during cleaning.
11. Do not attempt any modification or repair by yourself and ensure that any repair is conducted only by appropriately qualified technician.
12. Keep the product away from heated surfaces and/or inflammable substances.
13. Regularly remove blockages caused by dust, fluff, hair etc. because they greatly reduce device's suction power and/or general performance.
14. This device is not intended to be operated by means of an external timer or separate remote-control system.
15. Misuse of the UV-C bulb can cause eye and/or skin damage. Never open bulb compartment during use!
16. Although the device has been checked its usage and consequences are strictly user responsibility.

### PARTS (see picture 1)

- A = power light
- B = power (ON/OFF) button/surface
- C = air outlet
- D = power plug
- E = air inlet
- F = bulb compartment cover
- G = bulb compartment

### BEFORE USE:

Remove all packaging and/or protective material and make sure product is without any visible defects.

Locate the power supply socket that has enough space to plug in the purifier and is in best position to filter as much air as possible without obstructions (i.e.: walls, curtains, furniture etc.).

### USAGE

Insert the purifier's power plug into power supply with the longer part of the device always facing downwards.

Press the power button/surface to start the device (power light will turn on).

When needed the device can be turned off by pressing power button/surface again (power light will turn off).

### NOTES:

- For best results it is suggested that device runs at least 2 hours for every 10 m<sup>2</sup> of floor space.
- When changing room where air needs to be cleaned turn off and un/plug the device from power supply carefully.

# Obsah je uzamčen

**Dokončete, prosím, proces objednávky.**

**Následně budete mít přístup k celému dokumentu.**



**Proč je dokument uzamčen? Nahněvat Vás rozhodně nechceme. Jsou k tomu dva hlavní důvody:**

- 1) Vytvořit a udržovat obsáhlou databázi návodů stojí nejen spoustu úsilí a času, ale i finanční prostředky. Dělali byste to Vy zadarmo? Ne\*. Zakoupením této služby obdržíte úplný návod a podpoříte provoz a rozvoj našich stránek. Třeba se Vám to bude ještě někdy hodit.

*\*) Možná zpočátku ano. Ale vězte, že dotovat to dlouhodobě nelze. A rozhodně na tom nezbohatneme.*

- 2) Pak jsou tady „roboti“, kteří se přiživují na naší práci a „vysávají“ výsledky našeho úsilí pro svůj prospěch. Tímto krokem se jim to snažíme překazit.

A pokud nemáte zájem, respektujeme to. Urgujte svého prodejce. A když neuspějete, rádi Vás uvidíme!