

Quick Start Guide (EN)

Verkorte handleiding (NL)

Kurzanleitung (DE)

Guía de inicio rápido (ES)

Guide de démarrage rapide (FR)

Guida rapida (IT)

Guia de iniciação rápida (PT)

Hurtigstartsguide (DA)

Hurtigstartsguide (NO)

Snabbstartsguide (SV)

Pikaopas (FI)

Γρήγορος οδηγός (EL)

Krótki przewodnik (PL)

Rychlá příručka (CS)

Gyors útmutató (HU)

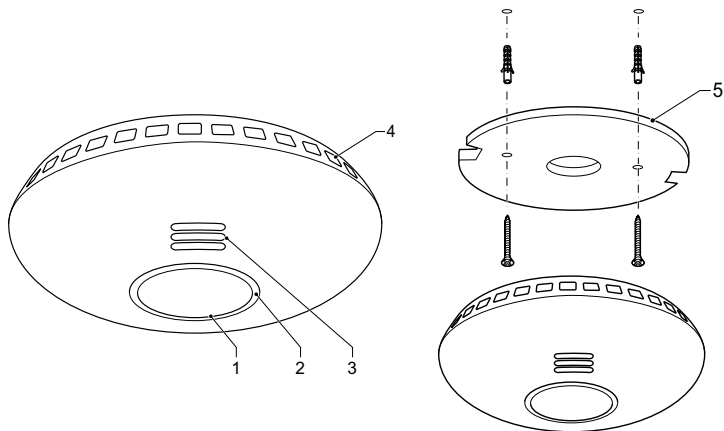
Ghid rapid (RO)

Руководство быстрого старта (RU)

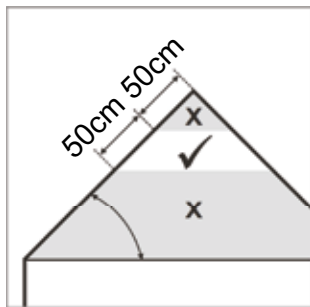
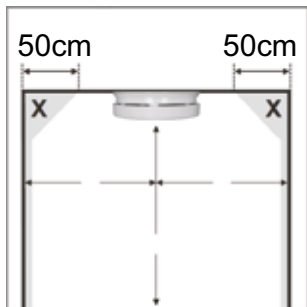
Hızlı başlangıç kılavuzu (TR)

# Wi-Fi smoke and heat detector

A



B



## WIFIDS10xx

### Wi-Fi smoke and heat detector

#### Description (fig. A)

The smoke and heat detector is a device used to detect smoke and heat. The device does not detect gas. The device is suitable for indoor use only. If the device detects smoke or heat, the alarm will sound and the LED indicator will flash red continuously until it is eliminated.

1. Test button
2. LED indicator
3. Siren
4. Smoke intake
5. Mounting plate

#### Safety

- Read the manual carefully before use. Keep the manual for future reference.
- Only use the device for its intended purposes. Do not use the device for other purposes than described in the manual.
- Do not use the device if any part is damaged or defective. If the device is damaged or defective, replace the device immediately.
- The device has a limited lifetime. Replace the device 10 years after the date of purchase. Write the purchase date on the manual for future reference.

#### Battery safety

- Use only the batteries mentioned in the manual.
- Do not use old and new batteries together.
- Do not use batteries of different types or brands.
- Do not install batteries in reverse polarity.
- Do not short-circuit or disassemble the batteries.
- Do not expose the batteries to water.
- Do not expose the batteries to fire or excessive heat.
- Batteries are prone to leakage when fully discharged. To avoid damage to the product, remove the batteries when leaving the product unattended for longer periods of time.
- If liquid from the batteries comes into contact with skin or clothing, immediately rinse with fresh water.

## Installation (fig. B)

### Warning!

- Do not use the device outdoors.
  - Do not expose the device to water or moisture.
  - Install the device out of the reach of children.
  - Install at least one device at each floor level.  
Preferably install one device in each recommended area.
  - Do not install the device in bathrooms, toilets or other rooms where the device can be triggered by steam or condensation. Install the device at least 3 meters away from these rooms.
  - Do not install the device in rooms where normal combustion occurs regularly.
  - Do not install the device in rooms with temperatures below 5 °C or above 37 °C.
  - Do not install the device in dusty or dirty environments.
  - Do not install the device near doors and windows.
  - Do not install the device near radiators or air vents in walls or ceilings.
  - Do not install the device behind curtains or furniture.
  - Do not use rechargeable batteries in order to prevent malfunctions.
  - Do not paint the device.
1. Download, install and launch the app "Nedis SmartLife" from the Apple App Store or Google Play Store on your mobile device.
  2. Create a new account or log in to your existing account.
  3. Tap "+" to add the device.
  4. Select the correct product from the list.
  5. Place the batteries (2x AA, alkaline) into the battery compartment.
  6. Press the test button 3 times in 2 seconds.
  7. When the LED is turned on, confirm in the app.
  8. Confirm the Wi-Fi network and password.
  9. Enter the device name.
  10. Mount the device to the mounting plate. Refer to the illustrations for the correct positioning of the device.
  11. Test the alarm. Refer to the section "Testing the alarm".

# Obsah je uzamčen

**Dokončete, prosím, proces objednávky.  
Následně budete mít přístup k celému dokumentu.**



**Proč je dokument uzamčen? Nahněvat Vás rozhodně nechceme. Jsou k tomu dva hlavní důvody:**

1) Vytvořit a udržovat obsáhlou databázi návodů stojí nejen spoustu úsilí a času, ale i finanční prostředky. Dělali byste to Vy zadarmo? Ne\*. Zakoupením této služby obdržíte úplný návod a podpoříte provoz a rozvoj našich stránek. Třeba se Vám to bude ještě někdy hodit.

*\*) Možná zpočátku ano. Ale vězte, že dotovat to dlouhodobě nelze. A rozhodně na tom nezbohatneme.*

2) Pak jsou tady „roboti“, kteří se přiživují na naší práci a „vysávají“ výsledky našeho úsilí pro svůj prospěch. Tímto krokem se jim to snažíme překazit.

A pokud nemáte zájem, respektujeme to. Urgujte svého prodejce. A když neuspějete, rádi Vás uvidíme!