

**SENCOR®**

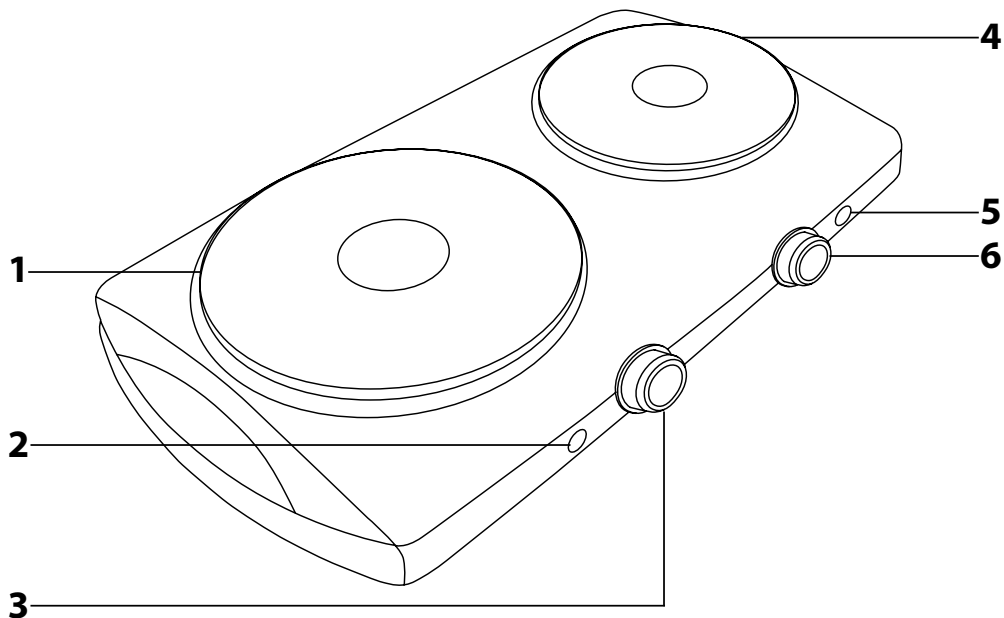
SCP 2253WH  
SCP 2254BK  
SCP 2255SS



## **EN ■ Electric Double Hotplate**

*Translation of the original manual*

**A**



### IMPORTANT SAFETY INSTRUCTIONS

#### READ CAREFULLY AND STORE FOR FUTURE USE.

- This appliance may be used by children 8 years of age and older and by persons with physical or mental impairments or by inexperienced persons, if they are properly supervised or have been informed about how to use the product in a safe manner and understand the potential dangers. Cleaning and user maintenance must not be performed by children unless they are older than 8 years of age and under supervision. Keep this appliance and the power cord out of reach of children that are younger than 8 years of age.
- Children must not play with the appliance.
- This appliance is designed for household use only. It is not intended for use in locations such as:
  - staff kitchens in stores, offices and other workplaces;
  - agricultural farms;
  - hotel or motel rooms and other living areas;
  - bed and breakfast establishments.
- Do not use the appliance outdoors or in an industrial environment.
- Never use the appliance for any other purposes than those for which it is intended.
- Before connecting the appliance to a power socket, check that the nominal voltage on its rating label matches the voltage in the power socket to which you wish to connect it. Connect the appliance only to a properly grounded socket. Do not use an extension cord. Fully unwind the power cord before use.



#### Attention:

This appliance is not intended to be operated using an external timer switch or remote control.

- Only use the appliance on a horizontal, dry, clean, stable and heat resistant surface. Do not use the appliance on the drip area of the kitchen sink.
- Do not place the appliance on the edge of a table or on an electric or gas stove or in their vicinity.
- Do not use the appliance on a surface that is sensitive to heat or that is covered by a table cloth, paper or other flammable material, in the vicinity of curtains and other flammable materials or materials sensitive to heat.
- During operation there needs to be sufficient area for air circulation above the appliance and around it. A safety clearance of at least 50 cm must be maintained, in the direction of the main radiant heat, from the surface of flammable materials located above the hotplate, and at least 20 cm in all other directions around the appliance.
- While in operation, the appliance must be located on a kitchen countertop with no cupboard above it.
- Do not place any items on to the appliance.
- Do not cover the appliance or block its vents.



This label located on the appliance means:

#### **ATTENTION: Hot surface**

**These surfaces may become hot during use.**

- The temperature of accessible surfaces on the appliance is high when the appliance is in operation and, due to residual heat, for a certain time after operation. Do not touch the hot surface of the appliance. There is a danger of burns.

# Obsah je uzamčen

**Dokončete, prosím, proces objednávky.**

**Následně budete mít přístup k celému dokumentu.**



**Proč je dokument uzamčen? Nahněvat Vás rozhodně nechceme. Jsou k tomu dva hlavní důvody:**

- 1) Vytvořit a udržovat obsáhlou databázi návodů stojí nejen spoustu úsilí a času, ale i finanční prostředky. Dělali byste to Vy zadarmo? Ne\*. Zakoupením této služby obdržíte úplný návod a podpoříte provoz a rozvoj našich stránek. Třeba se Vám to bude ještě někdy hodit.

*\*) Možná zpočátku ano. Ale vězte, že dotovat to dlouhodobě nelze. A rozhodně na tom nezbohatneme.*

- 2) Pak jsou tady „roboti“, kteří se přiživují na naší práci a „vysávají“ výsledky našeho úsilí pro svůj prospěch. Tímto krokem se jim to snažíme překazit.

A pokud nemáte zájem, respektujeme to. Urgujte svého prodejce. A když neuspějete, rádi Vás uvidíme!