



# UV LIGHT MONITOR & LAPTOP STAND BLACK

## USER MANUAL



Model no.: MS104A

---




Please read this manual thoroughly before using and save it for future reference.

# TABLE OF CONTENTS

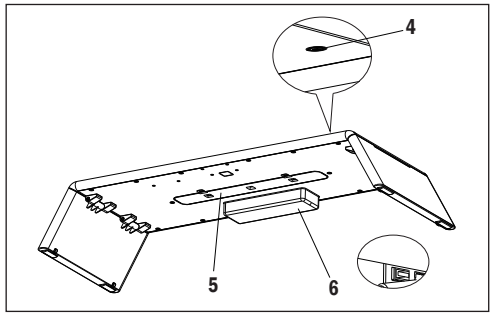
PICTURES.....	2	LV.....	22
EN.....	3	MD.....	23
AL.....	4	ME.....	25
BG.....	6	MK.....	26
BIH.....	9	PL.....	29
CZ.....	10	RO.....	30
EE.....	12	RS.....	32
HR.....	13	RU.....	33
HU.....	16	SI.....	36
KS.....	17	SK.....	38
KZ.....	19	UA.....	40
LT.....	20	EXPLANATION OF MARKINGS.....	42

(EN) PICTURES / (AL) FOTOGRAFIN / (BG) ИЛЮСТРАЦИИ / (BIH) SLIKE / (CZ) OBRÁZKY / (EE) JOONISED / (HR) SLIKE / (HU) KÉPEK / (KS) FOTOGRAFIN / (KZ) СУРЕТТЕР / (LT) PAVEIKSLIUOKAI / (LV) ATTĒLI / (MD) IMAGINI / (ME) SLIKE / (MK) СЛИКИ / (PL) RYSUNKI / (RO) IMAGINI / (RS) SLIKE / (RU) РИСУНКИ / (SI) SLIKE / (SK) OBRÁZKY / (UA) МАЛЮНКИ

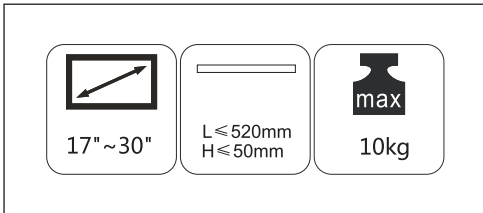
Picture 1

1		x1
2		x1
3		x1

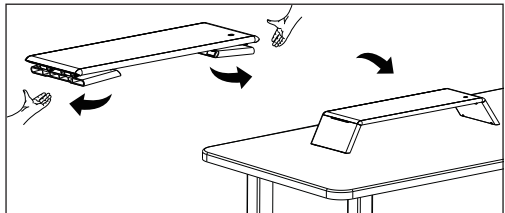
Picture 2



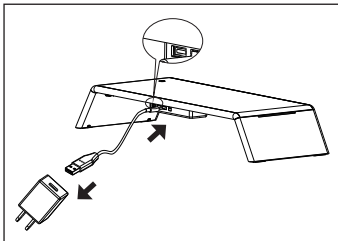
Picture 3



Picture 4



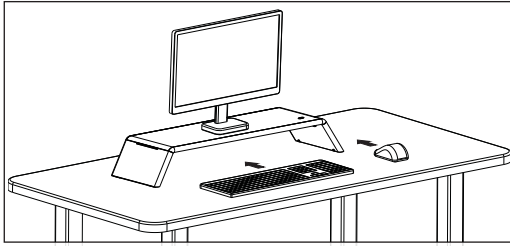
Picture 5



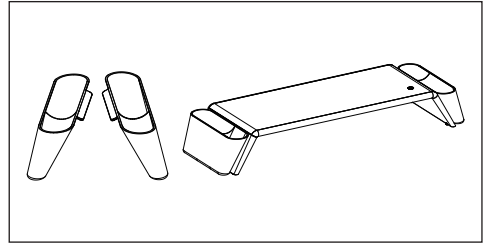
Picture 6



Picture 7



Picture 8



EN

## WARNINGS

1. This device can be used by children aged from 8 years and above as well as by persons with reduced physical, sensory or mental capabilities or lack of experience and knowledge if they have been given supervision or instruction concerning use of the device in a safe way and understand the hazards involved. Children shall not play with the appliance. Cleaning and user maintenance should not be done by children unless they are older than 8 and supervised.
2. Before use, place the product on hard, flat, stable and dry surface.
3. When the UV disinfection lamp is turned on, please keep the safety distance of at least 0,5 m from the product. Otherwise, it may cause damage to your eyes or skin.
4. Do not turn on the UV light on a transparent, reflective or UV non-resistant desktop. Do not flip and move the product while the UV lamp is on.
5. UV radiation is dangerous for the eyes and skin. Do not operate the UV-C emitter outside the appliance.
6. This appliance contains UV-C emitter, which should not be removed, replaced or modified by the user.
7. This device is intended for household and dry use only.
8. This device should never be switched on or stay plugged in power supply when not in use.
9. Do not twist or kink the cable, or wrap it round the device.
10. Do not attempt any modification or repair by yourself and ensure that any repair is conducted only by appropriately qualified technician.
11. If the supply cord is damaged, it must be replaced immediately by authorized and qualified person only.
12. Plug in power supply that corresponds to the rated one on product/charger only. In case of misuse power or device failure may occur.
13. If the device is not working as it should, has received a sharp blow, has been dropped, damaged, left outdoors or dropped into water, do not use it.
14. A charger that is suitable for this device may create a risk of fire when used with another device; never use the charger with another device or attempt to charge this product with another charger (output requirements: DC 5 V, 1-2 A).
15. Although the product has been checked its usage and consequences are strictly user responsibility.

### 1) PARTS (Pic 1 and 2 (see: PICTURES, Pic1 and 2))

1. Stand
2. Power cable
3. User manual

# Obsah je uzamčen

**Dokončete, prosím, proces objednávky.**

**Následně budete mít přístup k celému dokumentu.**



**Proč je dokument uzamčen? Nahněvat Vás rozhodně nechceme. Jsou k tomu dva hlavní důvody:**

- 1) Vytvořit a udržovat obsáhlou databázi návodů stojí nejen spoustu úsilí a času, ale i finanční prostředky. Dělali byste to Vy zadarmo? Ne\*. Zakoupením této služby obdržíte úplný návod a podpoříte provoz a rozvoj našich stránek. Třeba se Vám to bude ještě někdy hodit.

*\*) Možná zpočátku ano. Ale vězte, že dotovat to dlouhodobě nelze. A rozhodně na tom nezbohatneme.*

- 2) Pak jsou tady „roboti“, kteří se přiživují na naší práci a „vysávají“ výsledky našeho úsilí pro svůj prospěch. Tímto krokem se jim to snažíme překazit.

A pokud nemáte zájem, respektujeme to. Urgujte svého prodejce. A když neuspějete, rádi Vás uvidíme!