

**Service numbers / Numéros du service après-vente /  
Números de servicio / Número de serviço**

Country:		Phone:	Fax:	WWW:
Germany	(D)	0180-5000225	05121-49 4002	<a href="http://www.blaupunkt.com">http://www.blaupunkt.com</a>
Austria	(A)	01-610 390	01-610 393 91	
Belgium	(B)	02-525 5454	02-525 5263	
Denmark	(DK)	44 898 360	44-898 644	
Finland	(FIN)	09-435 991	09-435 99236	
France	(F)	01-4010 7007	01-4010 7320	
Great Britain	(GB)	01-89583 8880	01-89583 8394	
Greece	(GR)	0800-550 6550	01-576 9473	
Ireland	(IRL)	01-4149400	01-4598830	
Italy	(I)	02-369 6331	02-369 6464	
Luxembourg	(L)	40 4078	40 2085	
Netherlands	(NL)	023-565 6348	023-565 6331	
Norway	(N)	66-817 000	66-817 157	
Portugal	(P)	01-2185 00144	01-2185 11111	
Spain	(E)	902-120234	916-467952	
Sweden	(S)	08-7501500	08-7501810	
Switzerland	(CH)	01-8471644	01-8471650	
Czech. Rep.	(CZ)	02-6130 0441	02-6130 0514	
Hungary	(H)	01-333 9575	01-324 8756	
Poland	(PL)	0800-118922	022-8771260	
Turkey	(TR)	0212-3350677	0212-3460040	
USA	(USA)	800-2662528	708-6817188	
Brasil (Mercosur)	(BR)	+55-19 3745 2769	+55-19 3745 2773	
Malaysia (Asia Pacific)	(MAL)	+604-6382 474	+604-6413 640	

**Blaupunkt GmbH**

04/13  
288F0750

OK Radio / CD

## Phoenix MP33

Operating and installation instructions  
Notice d'emploi et de montage  
Instrucciones de manejo e instalación  
Instruções de serviço e de montagem



**BLAUPUNKT**®

## FCC WARNING

This equipment has been tested and found to comply with the limits for a Class B device, pursuant to Part 15 of the FCC Rules. These limits are designed to provide reasonable protection against harmful interference in a residential installation. This equipment generates, uses, and can radiate radio frequency energy, and, if not installed and used in accordance with instructions, may cause harmful interference with radio communications. However, there is no guarantee that radio interference will not occur in particular installation. If this equipment does cause harmful interference to radio or television reception, which can be determined by turning the equipment off and on, the user is encouraged to consult the dealer or an experienced radio/TV technician for help.

You are cautioned that any changes or modifications not expressly approved in this manual could void your authority to operate this equipment.

## Features

- MP3 file playback support
- Detachable Flip Down Front Panel
- CD-R/RW available
- Built-in power amplifier (max. output : 50W × 4ch)
- FM/AM PLL Synthesizer tuner
- 30 Station preset memory
- Travel Store / Scan tuning
- IR Remote Controls

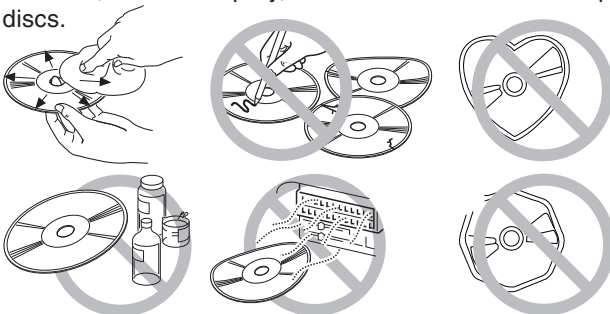
## Precautions

- Avoid installing the unit where it would be subject to high temperatures, such as in direct sunlight or a hot air stream from the heater, or where it would be subject to dust, dirt, or excessive vibration.
- Do not turn on the unit if the temperature inside the car is very high. Always cool down the unit before usage. Parking your car in direct sunlight will result in a temperature rise.
- If the unit does not turn on, check the connections first. Then check whether the fuse at the back of the unit is blown.
- Carefully read this manual before using the unit. If you encounter any problems that are not covered in this manual, please consult the dealer where you purchased the unit or the dealer nearest to you.
- This unit has been designed specifically for playback of compact discs bearing the following mark. Other discs cannot be played.



## Handling Compact Discs

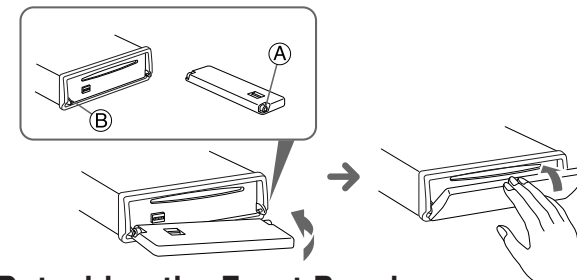
- Be careful when removing a compact disc after the playback is completed because the disc may be extremely hot.
- Do not use non-conventional discs such as heart-shaped, octagonal discs, etc. The player could be damaged.
- Do not expose compact discs to direct sunlight or any heat source.
- Check all compact discs before playing, and discard cracked, scratched or warped discs.
- Wipe dirty or damp discs outward from the centre with a soft cloth.
- Do not use any solvents such as commercially available cleaners, antistatic spray, or thinner to clean the compact discs.



## Handling the Front Panel

### Attaching the Front Panel

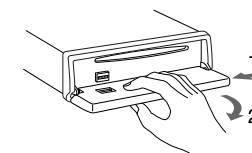
Place hole (A) of the front panel onto the spindle (B) on the unit, then lightly push the right side in.



### Detaching the Front Panel

Remove the CD from the unit, if any, and turn off the power of the unit.

Press the Release button [R], then slide the front panel to the left, and gently pull out the right end of the front panel.

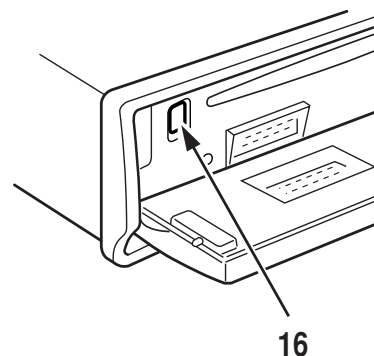
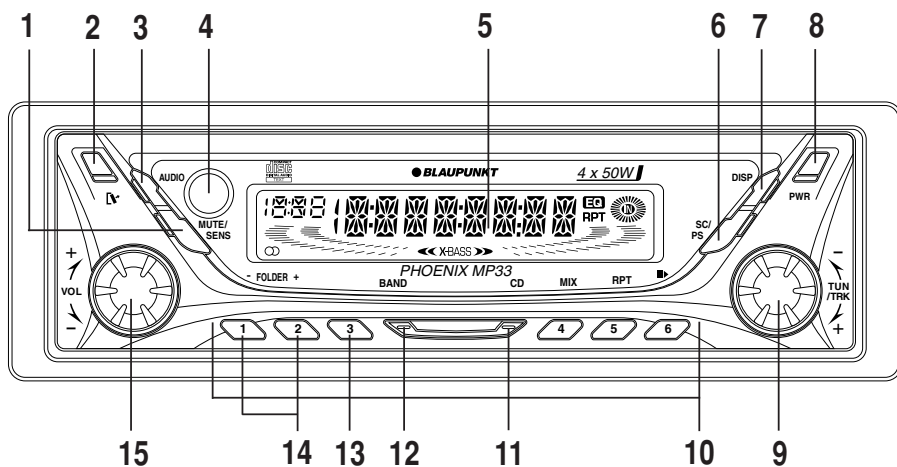



### Notes

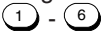
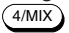



- Do not handle the unit roughly when opening/closing the front panel.
- Do not put any object or use it like a tray when the front panel is open in a lying position.
- Do not put too much force to the operation buttons or the display window as it may cause damage or deform the unit.
- Do not press hard on the front panel when affixing it to the unit. No more than light to moderate pressure should be needed.
- Be sure to use this unit with the front panel closed.
- Be careful not to pinch your finger or hands when opening and closing the front panel.
- Make sure there is no dust or dirt on the electrical terminals on the back of the front panel as this could cause intermittent operation or other malfunctions.
- Connectors on the unit and front panel are vital parts transmitting the signal. Do not touch, push or scratch them.

# Identification of Controls

## Front Panel



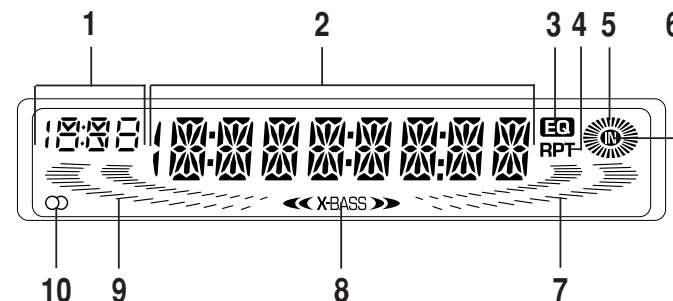
- 1 MUTE/SENS button**  
Mutes the sound. Switches the seek sensitivity between local and distance.
- 2 RELEASE  button**  
Open the flip down front panel.
- 3 AUDIO button**  
Audio control selector; Bass, Treble, Loudness, X-BASS, Balance etc.,.
- 4 Infrared Sensor (behind acrylic fascia)**  
Permits wireless remote control of AM/FM/CD with RC-823 credit card style remote.
- 5 LCD Display window**
- 6 SC/PS button**  
Scan tuning. Preset scan tuning. Scan play in CD mode.
- 7 DISP button**  
Display selector. Display priority setting. Clock adjustment.
- 8 PWR button**  
Turns the power of the unit on or off.
- 9 TUN/TRK dial**  
Used to tune in to the desired station.

- 10 PRESET MEMORY button**  
During radio reception :  
 ; For Preset memory  
During CD mode :  
 ; For Mix play  
 ; For Repeat play  
 ; For Pause
- 11 CD button**  
Selects the CD mode.
- 12 BAND button**  
Selects the AM/FM band & Travel store.
- 13 JUMP button**  
If an ID3 Tag has been recorded on MP3 file, one touch switches the unit to ID3 Tag display.
- 14 FOLDER SELECT button**  
Selects the desired FOLDER in MP3 play mode.
- 15 VOL dial**  
Adjusts the volume level and audio control.
- 16 EJECT  button**  
Ejects the CD. Reset the unit.

## Remote Control

You can operate your receivers basic AM, FM, CD features via an IR Remote Control, model RC-823.

## LCD Display



- 1 SUB DISPLAY**
- 2 MAIN DISPLAY**
- 3 Equalizer indicator**
- 4 RPT Mode indicator**
- 5 CD running indicator**
- 6 DISC IN indicator**
- 7 R-ch Level Meter**
- 8 X-BASS indicator**
- 9 L-ch Level Meter**
- 10 STEREO signal indicator**

# Obsah je uzamčen

**Dokončete, prosím, proces objednávky.**

**Následně budete mít přístup k celému dokumentu.**



**Proč je dokument uzamčen? Nahněvat Vás rozhodně nechceme. Jsou k tomu dva hlavní důvody:**

- 1) Vytvořit a udržovat obsáhlou databázi návodů stojí nejen spoustu úsilí a času, ale i finanční prostředky. Dělali byste to Vy zadarmo? Ne\*. Zakoupením této služby obdržíte úplný návod a podpoříte provoz a rozvoj našich stránek. Třeba se Vám to bude ještě někdy hodit.

*\*) Možná zpočátku ano. Ale vězte, že dotovat to dlouhodobě nelze. A rozhodně na tom nezbohatneme.*

- 2) Pak jsou tady „roboti“, kteří se přiživují na naší práci a „vysávají“ výsledky našeho úsilí pro svůj prospěch. Tímto krokem se jim to snažíme překazit.

A pokud nemáte zájem, respektujeme to. Urgujte svého prodejce. A když neuspějete, rádi Vás uvidíme!