

LAMAX

ELECTRONICS

High-end Dashboard Camera with GPS
Tracking and Speed Camera Detection

LAMAX C9



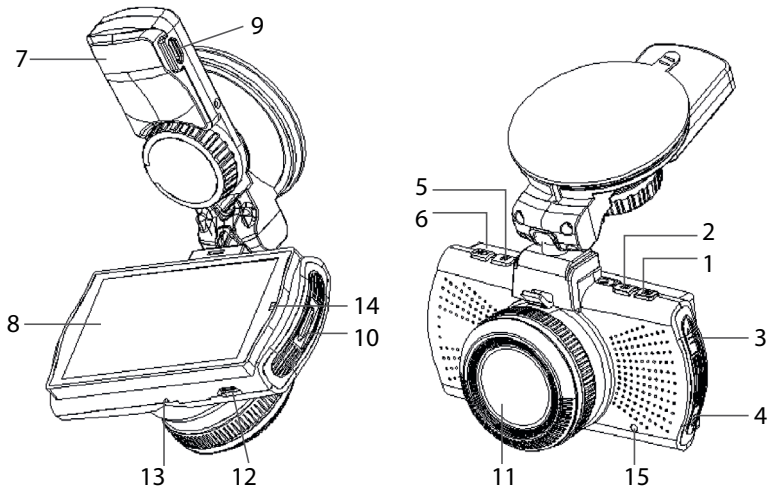
Introduction

Thank you for purchasing the LAMAX C9 dashcam. Wherever you go, you now have a reliable travel companion for your car journeys. The high-quality shots it delivers will not only serve as evidence for your insurance company or the police, but also provide great footage from your holidays.

1. Pack Contents

- LAMAX C9 dashcam
- Suction cup mount with GPS module
- Car charger
- MicroSD-USB adapter
- Manual and Safety Instructions
- Camera travel bag
- Microfiber cloth
- Other printed materials (stickers, Facebook card, registration card)

2. Product Layout



- | | |
|-------------------|--------------------|
| 1. MENU | 10. Micro SD slot |
| 2. ON/OFF (Power) | 11. Lens |
| 3. UP arrow | 12. Mini USB input |
| 4. DOWN arrow | 13. Microphone |
| 5. MODE | 14. LED |
| 6. Rec/OK | 15. RESET |
| 7. Mount | |
| 8. Display | |
| 9. Charging input | |

3. Installing the Device

- 1) Guide the power cable around the windscreen to the car cigarette lighter so as not to obstruct the driver's view and fasten it securely. To achieve the optimal shot, attach the device between the glass and the rear-view mirror.
- 2) Do not install the device in a position which obstructs the driver's view or that may distract.
- 3) Some vehicles do not cut power to the cigarette lighter when the engine is off. In this case, unplug the cable from the cigarette lighter before exiting the vehicle.
- 4) When using the device for the first time, the battery may be low. If you cannot switch on the device due to low power, manually connect the external power cable to charge the battery.
- 5) Use only a high-quality microSD card of class 10 or higher. For optimal recording use, we recommend using cards with a capacity of at least 8GB up to a maximum of 64GB. If this is the first use of the card, we recommend formatting it first..

Important Notice:

- For proper operation the LAMAX C9 and GPS module, the power cable must be plugged directly into the micro USB port of the GPS holder (not into the micro USB port on the camera).
- To ensure the camera functions properly, it must be plugged securely into the holder (the camera must be snapped into the holder and be fully inserted). When removing the camera, it is necessary to press the safety lock at the front of the holder and then carefully pull the camera out. If the camera is not fully attached to the GPS module, there may be disruptions to the power supply or GPS operation.

4. Using the LAMAX C9 Dashcam

1) Inserting a MicroSD Card

Insert or remove the microSD card when the camera is switched off and not connected to a computer or power supply.

2) Charging

- a) Camera can be powered by both a USB cable or a car charger plugged directly into the car cigarette lighter.
- b) Camera is designed to be powered continuously. Integrated battery cannot be removed or replaced.

3) Turning the Camera On and Off

- a) Turn the camera on by pressing the ON/OFF button.
- b) Camera automatically turns on when connected to the power supply.
- c) Turn the camera off by pressing and holding the ON/OFF button for 3-5 seconds.
- d) Camera automatically turns off when disconnected from the power supply.

4) Switching Modes and Menu Navigation

- a) Tap the MODE button to toggle between modes: video mode (live view) » photo mode » video gallery/photo gallery » entry lock.
- b) The camera menu is divided into three parts: database menu » basic camera settings » advanced settings. Navigate between these parts using the UP and DOWN arrows. To enter the menu press the MENU button. In each individual section of the menu, move vertically using the UP and DOWN arrows and press OK to confirm the selection.
- c) Video / photo settings can only be accessed from the appropriate mode. This means you can only access video settings from video mode and photo settings from photo mode.

Obsah je uzamčen

Dokončete, prosím, proces objednávky.

Následně budete mít přístup k celému dokumentu.



Proč je dokument uzamčen? Nahněvat Vás rozhodně nechceme. Jsou k tomu dva hlavní důvody:

1) Vytvořit a udržovat obsáhlou databázi návodů stojí nejen spoustu úsilí a času, ale i finanční prostředky. Dělali byste to Vy zadarmo? Ne*. Zakoupením této služby obdržíte úplný návod a podpoříte provoz a rozvoj našich stránek. Třeba se Vám to bude ještě někdy hodit.

**) Možná zpočátku ano. Ale vězte, že dotovat to dlouhodobě nelze. A rozhodně na tom nezbohatneme.*

2) Pak jsou tady „roboti“, kteří se přiživují na naší práci a „vysávají“ výsledky našeho úsilí pro svůj prospěch. Tímto krokem se jim to snažíme překazit.

A pokud nemáte zájem, respektujeme to. Urgujte svého prodejce. A když neuspějete, rádi Vás uvidíme!