

SENCOR®

SWS 9700



USER MANUAL

NÁVOD K OBSLUZE

NÁVOD NA OBSLUHU

HASZNÁLATI ÚTMUTATÓ

INSTRUKCJA OBSŁUGI

**PROFESSIONAL WEATHER STATION
WITH WIRELESS 5-IN-1 SENSOR**

**PROFESIONÁLNÍ METEOSTANICE
S BEZDRÁTOVÝM SNÍMAČEM**

**PROFESIONÁLNA METEOSTANICA
S BEZDRŤOVÝM SNÍMAČOM**

**PROFI METEOROLÓGIAI ÁLLOMÁS
VEZETÉK NÉLKÜLI ADATÁTVITELLEL**

**PROFESJONALNA STACJA POGODOWA
Z CZUJNIKIEM BEZPRZEWODOWYM**

EN CZ SK HU PL

PRECAUTIONS

- Read and keep these instructions.
- Heed all warnings.
- Follow all instructions.
- Do not subject the unit to excessive force, shock, dust, temperature or humidity.
- Do not cover the ventilation holes with any items such as newspapers, curtains etc.
- Do not immerse the unit in water. If you spill liquid over it, dry it immediately with a soft, lint-free cloth.
- Do not clean the unit with abrasive or corrosive materials.
- Do not tamper with the unit's internal components. This invalidates the warranty.
- Only use fresh batteries. Do not mix new and old batteries.
- Only use attachments/accessories specified by the manufacturer.
- Images shown in this manual may differ from the actual display.
- When disposing of this product, ensure it is collected separately for special treatment.
- Placement of this product on certain types of wood may result in damage to its finishing for which manufacture will not be responsible. Consult the furniture manufacturer's care instructions for information.
- Do not dispose old batteries as unsorted municipal waste. Collection of such waste separately for special treatment is necessary.
- The technical specifications for this product and the contents of the user manual are subject to change without notice.

INTRODUCTION

Thank you for your purchase of this delicate Professional Weather Station With Wireless 5-IN-1 Sensor.

The wireless 5-IN-1 sensor contains a self-emptying rain collector for measuring rainfall, anemometer, and wind vane, temperature and humidity sensors. It is fully assembled and calibrated for your easy installation. It sends data by a low power radio frequency to the Display Main Unit up to 150m away (line of sight).

The display Main Unit displays all the weather data received from the 5-IN-1 sensor outside. It remembers the data for a time range for you to monitor and analyze the weather status for past 24 hours. It has advance feature such as the HI/LO Alert alarm which will alert the user when the set high or low weather criteria are met. The barometric pressure records are computed to give users forthcoming weather forecast and stormy warning. Day and date stamps are also provided to the corresponding maximum and minimum records for each weather details.

The system also analyzes the records for your convenient viewing, such as the display of rainfall in terms of rain rate, daily, weekly and monthly records, whereas wind-speed in different levels. Different useful readings such as Wind-chill, Heat Index, Dew-point, Comfort level are also provided.

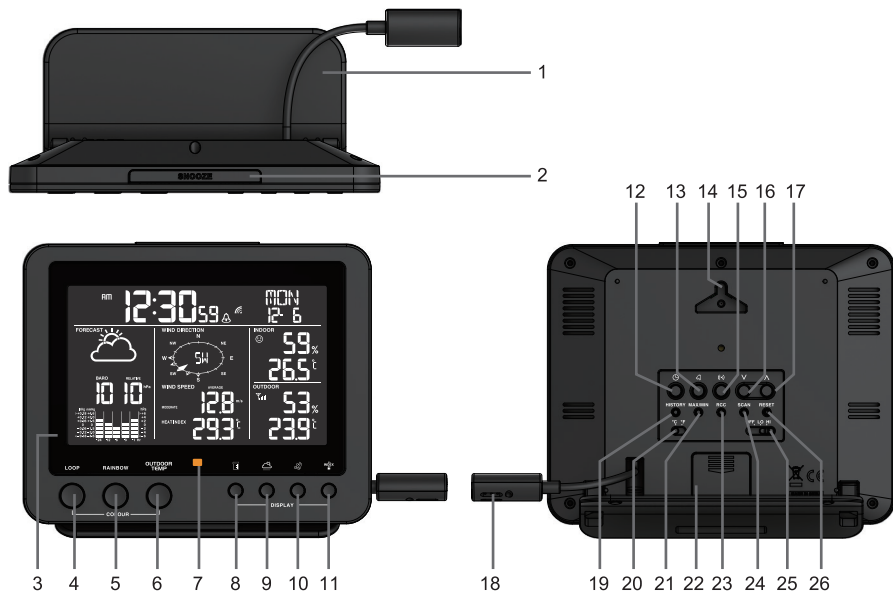
With Radio-controlled / Atomic clock feature built-in, the system is truly a remarkable personal Professional Weather Station for your own backyard.

Note:

This instruction manual contains useful information on the proper use and care of this product. Please read this manual through to fully understand and enjoy its features, and keep it handy for future use.

OVERVIEW

LCD DISPLAY



1. Table stand
2. **[SNOOZE / LIGHT]** button
3. LCD display
4. **[LOOP]** button
5. **[RAINBOW]** button
6. **[OUTDOOR TEMP]** button
7. Alert LED indicator
8. **[RAINFALL]** button
9. **[BARO]** button
10. **[WIND]** button
11. **[INDEX]** button
12. **[CLOCK]** button
13. **[ALARM]** button
14. Wall-mounting hole
15. **[ALERT]** button
16. **[V]** button
17. **[A]** button
18. DC jack / Temperature sensor
19. **[HISTORY]** button
20. **[°C/°F]** slide switch
21. **[MAX/MIN]** button
22. Battery door - Accommodates lithium battery CR2032 for back-up.
23. **[RCC]** button
24. **[SCAN]** button
25. **[OFF / LO / HI]** slide switch
26. **[RESET]** button

Obsah je uzamčen

Dokončete, prosím, proces objednávky.

Následně budete mít přístup k celému dokumentu.



Proč je dokument uzamčen? Nahněvat Vás rozhodně nechceme. Jsou k tomu dva hlavní důvody:

- 1) Vytvořit a udržovat obsáhlou databázi návodů stojí nejen spoustu úsilí a času, ale i finanční prostředky. Dělali byste to Vy zadarmo? Ne*. Zakoupením této služby obdržíte úplný návod a podpoříte provoz a rozvoj našich stránek. Třeba se Vám to bude ještě někdy hodit.

**) Možná zpočátku ano. Ale vězte, že dotovat to dlouhodobě nelze. A rozhodně na tom nezbohatneme.*

- 2) Pak jsou tady „roboti“, kteří se přiživují na naší práci a „vysávají“ výsledky našeho úsilí pro svůj prospěch. Tímto krokem se jim to snažíme překazit.

A pokud nemáte zájem, respektujeme to. Urgujte svého prodejce. A když neuspějete, rádi Vás uvidíme!