

**ALASKA**

User manual  
Bread Baker BM 2600

Dear Customer,

Congratulations on your purchase of this **ALASKA** product. Like all products from **ALASKA**, this product has also been developed on the basis of the latest technology and produced using reliable and modern electronic components.

Please take a few minutes before starting operation of the machine and read the following operating instructions.

Many thanks.



SIG GmbH  
Schlueterstrasse 5  
D-40235 Duesseldorf

## TABLE OF CONTENTS

Important safety instructions	2 - 4
Description of bread machine	4 - 5
Programs and operating panel	5 - 7
Prior to initial startup	7
Startup operation	8 - 9
Cleaning and care	9
Technical specifications	10
Ingredients	10 - 15
Recipes	16 - 23
Troubleshooting	24
Guarantee	25

## IMPORTANT SAFETY INSTRUCTIONS

1. Please read this user manual prior to using the appliance! Please comply with all safety information in order to avoid damages to your unit caused by improper use!
2. If this appliance should be passed on to third parties, please also enclose this user manual.
3. In case of improper use or wrong operation, no liability is accepted for possible damages.
4. Prior to use, please check whether the power supply type and voltage rating correspond to the data listed on the type plate.
5. Use this unit only for its intended use. This bread machine is intended only for private use, not for commercial applications.
6. The appliance is not suitable for outdoor use.
7. Always supervise children when using electronic devices, since they might not be able to recognise the dangers inherent in handling electronic devices.



## IMPORTANT SAFETY INSTRUCTIONS

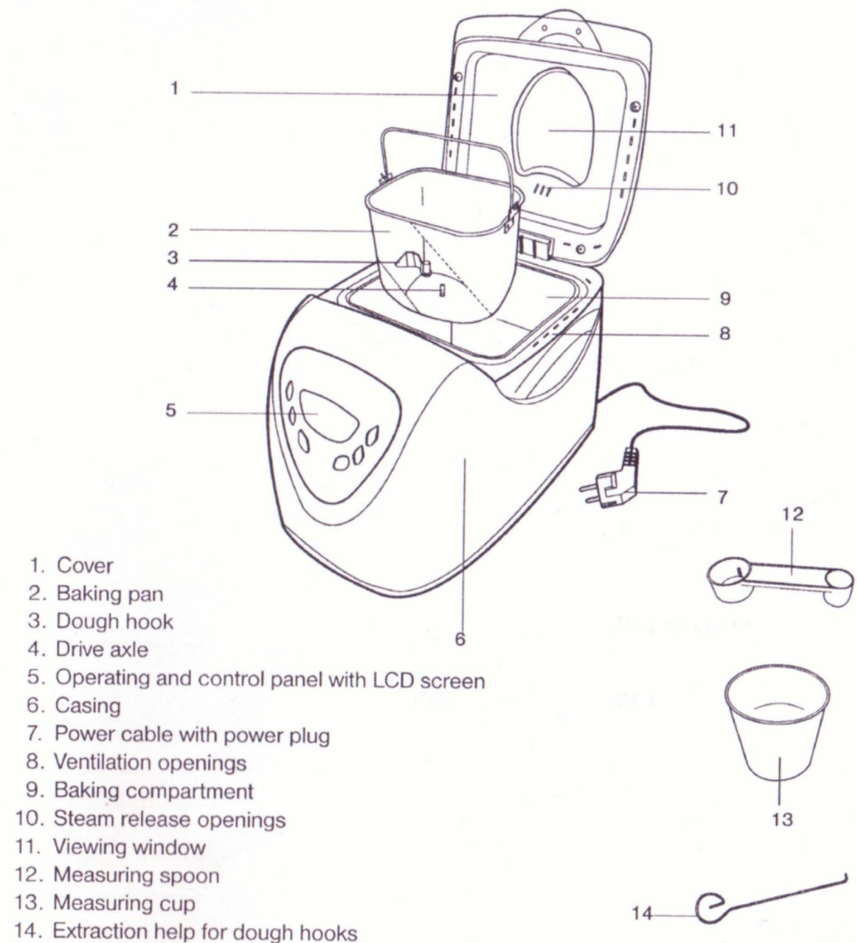
8. Place the appliance only on a level, sturdy and heat-resistant surface, away from gas flames or stoves and heaters and out of reach of children.
9. Do not use the appliance if the appliance itself or the power cable seems damaged or if the appliance has been dropped.
10. Immediately disconnect the power plug in the event of damages or malfunctions.
11. Do not attempt to repair the appliance yourself. In case of defects, this appliance may only be repaired by qualified professionals. Do not open the unit casing under any circumstances. Danger to life by electric shock!
12. Do not submerge the appliance in water or other liquids. Please be sure that no liquid enters into the appliance.
13. Prevent damage to the power cable from crushing, bending or rubbing on edges, keep the power cable away from hot surfaces.
14. Never touch the power plug with wet or damp hands.
15. When using an extension cable, this must be suitable for the corresponding power rating.
16. Place all power cables neatly out of the way so as to avoid a possible accidental pulling or tripping.
17. When disconnecting from the power outlet, do not pull on the power cable, do not wrap the power cable around the unit. Regularly inspect power plug and power cable for damages.
18. Do not insert any foreign objects into the appliance's casing.
19. After each use and prior to cleaning the device, please disconnect the power plug from the power outlet.
20. In case the power cable of this appliance is damaged, it must be replaced by the manufacturer, the manufacturer's authorized service centres or similar qualified personnel, to avoid hazards.
21. Only use accessories, which were enclosed with the appliance.
22. The bread machine may be switched on only after the baking pan was filled with ingredients and inserted into the appliance. Operating without ingredients can cause the device to overheat.
23. Disconnect the power plug from the power supply prior to removing the baking pan from the appliance.
24. **Danger of Burns!** The baking pan will be very hot. Always use oven mitts or potholders when removing the baking pan from the appliance. Please allow all metal parts to cool off before touching them.
25. Do not touch any moving parts.
26. Please be careful when moving the appliance while it is filled with liquid.
27. Once the appliance is switched on and immediately after it is switched off, please maintain a safety distance of 5 cm around the bread machine. Please keep in mind that the exterior of the appliance will become very hot during operation and that the air is superheated if steam is released.
28. The components of the bread machine, excluding the dough hook (3) and baking pan (2) are not dishwasher safe and must only be cleaned by hand.
29. Never leave the unit unsupervised while it is in operation or timer operation.
30. Do not cover the appliance while it is switched on. Heat and steam must be able to be released without obstructions. Never use the bread machine near flammable material.

**Danger of fire!**

## IMPORTANT SAFETY INSTRUCTIONS

31. Never attempt to remove foods from the bread machine while it is switched on or while the power plug is still connected to the power supply.
32. Bulky food items, metal foils, packaging or similar items may not be placed into the appliance.
33. This appliance is not intended for use by persons (including children) with reduced physical, sensory or mental capabilities, or lack of experience and knowledge, unless they have been given supervision or instruction concerning use of the appliance by a person responsible for their safety. Children should be supervised to ensure that they do not play with the appliance.

## DESCRIPTION OF BREAD MACHINE



# Obsah je uzamčen

**Dokončete, prosím, proces objednávky.**

**Následně budete mít přístup k celému dokumentu.**



**Proč je dokument uzamčen? Nahněvat Vás rozhodně nechceme. Jsou k tomu dva hlavní důvody:**

- 1) Vytvořit a udržovat obsáhlou databázi návodů stojí nejen spoustu úsilí a času, ale i finanční prostředky. Dělali byste to Vy zadarmo? Ne\*. Zakoupením této služby obdržíte úplný návod a podpoříte provoz a rozvoj našich stránek. Třeba se Vám to bude ještě někdy hodit.

*\*) Možná zpočátku ano. Ale vězte, že dotovat to dlouhodobě nelze. A rozhodně na tom nezbohatneme.*

- 2) Pak jsou tady „roboti“, kteří se přiživují na naší práci a „vysávají“ výsledky našeho úsilí pro svůj prospěch. Tímto krokem se jim to snažíme překazit.

A pokud nemáte zájem, respektujeme to. Urgujte svého prodejce. A když neuspějete, rádi Vás uvidíme!