

Instruction manual

Thank you for purchasing this product.
Before using this product please read the instructions carefully.
After reading the instruction manual, please keep it for reference.

Troubleshooting

Please check the following for any issues

① Pressing the PS button does not turn on the PlayStation®4 system

The PS button on this product will not turn on the PlayStation®4 system.
Please press the PS button on the wireless controller (DUALSHOCK®4) or press the power button on the PlayStation®4 system.

② The PS button does not respond during gameplay

Please check the PS4/PS3 System Toggle Switch on this product. Make sure it is set to "PS4" for PlayStation®4 and "PS3" for PlayStation®3.

③ Controls respond in the home screen but not during gameplay

For the PlayStation®4, controls will not respond if the user account is different from the one used at the start of the game. Make sure to always log in with the same user account.

④ The controller will not respond upon pressing the PS button

You must first pair this controller with the PlayStation®4 system using a wireless controller (DUALSHOCK®4).

Although the instruction manual states that the products is for the PlayStation®4 system, it is also compatible with the PlayStation®3 system.
Please also refer to our website (<http://www.hori.jp/support/>) for additional information.

Main Features

Joystick

Length	:180mm
Depth	:210mm
Height	:250mm
Weight	:0.6kg
Cable Length	:3m
Rating	:5V~60mA

Throttle

Length	:180mm
Depth	:210mm
Height	:190mm
Weight	:0.6kg
Cable Length	:1m

PRODUCT NAME :
「FACE COMBAT 7: SKIES UNKNOWN」
FLIGHT STICK for PlayStation®4

MODEL : PS4-094A
Manufacturer : HORI (H.K.) CO., LTD.
Enterprise Standard : Q/KXY039-2018
MAIL : koy_support@hori.jp
MADE IN CHINA

Caution



To Parent / guardian, Please read carefully

⚠ For Health (Regarding Vibration)

- Stop using this product if you begin to feel tired, experience discomfort or pain in your hands or arms. If the condition persists, consult a doctor.
- Do not make contact with your head, elbow, knee, face, abdomen area or any other parts of the body.
- Do not use the vibration function if you have any ailment or injury to the bones and/or joints.
- Do not use the vibration function if you have any dislocated or fractured bones in your fingers, hands, wrists, or if you have any torn or strained muscles.
- Avoid prolonged use of this product. Take a break every 30 minutes of gameplay.

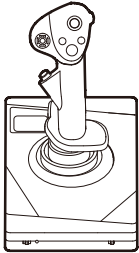
⚠ To Avoid Malfunction

- Never disassemble, repair, or modify this product.
- Do not use this product for anything other than its intended purpose.
We are not responsible for any accidents or damages in the event of use other than the intended purpose.
- Keep the controller away from dusty or humid areas.
- Do not apply strong impact or weight on the product.
- Do not pull roughly or bend the cable of the controller.
- If product needs cleaning, use only a soft dry cloth.
Do not use any chemical agents like benzene or thinner.

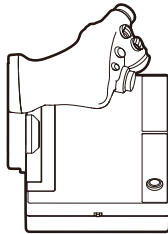
⚠ To Avoid Injury

- Keep this product out of the reach of children under 3.
- Keep this product away from small children. Seek medical advice immediately if it is swallowed.
- Ensure there are no obstacles within the moving range of the main stick and throttle.
- Do not put your finger or clothes inside the movable parts.
- Do not throw this product to a person or object.

Includes



Joystick... × 1



Throttle... × 1



Suction cups... × 8



Handrest Extender ... × 1

Compatible Systems

PlayStation®4 / PlayStation®3 / PC

System Requirements	Windows®10 / 8.1 / 8 / 7 USB port, Internet Connection
---------------------	---

※Functions as PC controller through Xinput.
This product does not support DirectInput.

Important

Before using this product with PlayStation®4 and PlayStation®3, be sure to check the instruction manual of each hardware console.



*Some functions may not function as desired depending on the console software version. In that case, please upgrade to the latest system software before use.
(PlayStation®4 ... Ver. 4.73 or later recommended, PlayStation®3 ... Ver.2.80 or later recommended)
Please refer to your console's user manual for system software version check and update instructions.

***This product does not feature light bar, motion sensors. In addition, this product does not support features other than those described. Please note this product may not support some PlayStation®4 and PlayStation®3 standard software. For details, please visit our website (<http://www.horiusa.com>).**

*This product will not work on the PlayStation®2, PlayStation®, or PS one®.

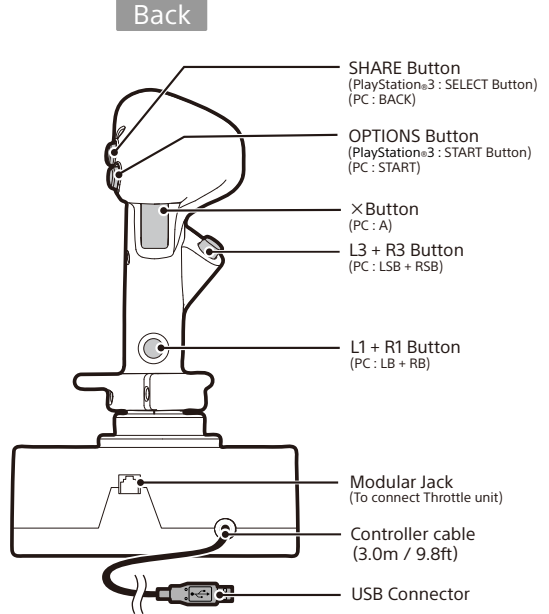
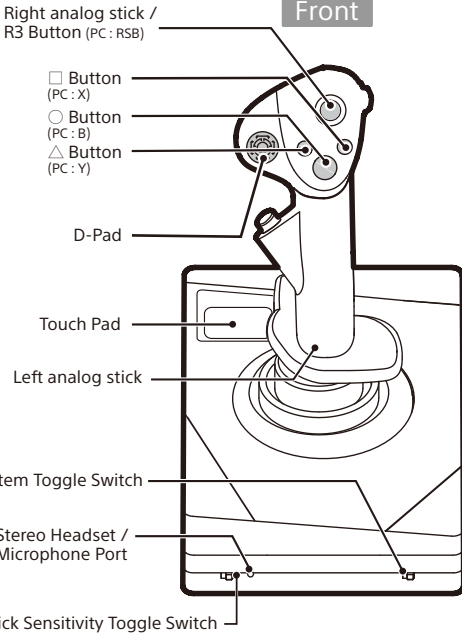
*This product is not a wireless controller.

*Please also refer to our website (<http://www.hori.jp/support/>) for additional information.

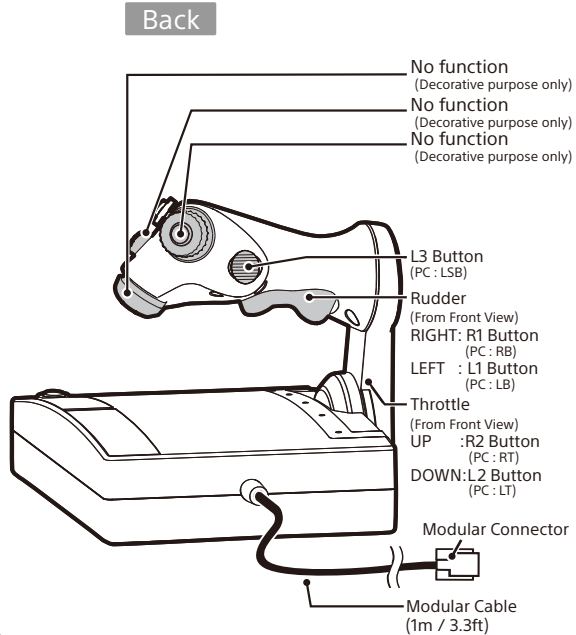
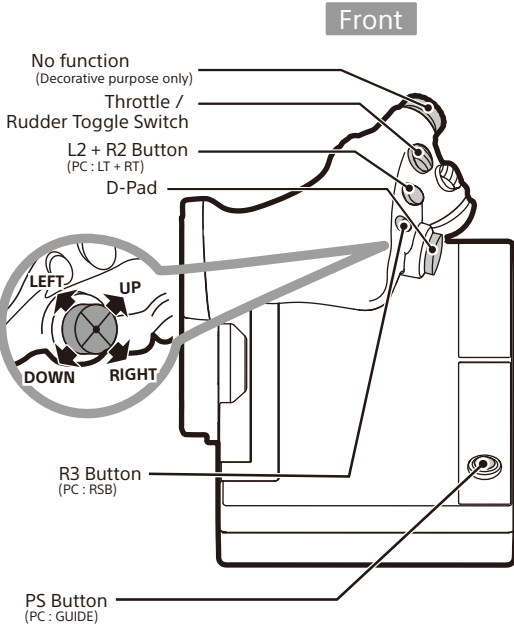
*PC will automatically recognize this product once the USB is plugged in.

Layout

Joystick



Throttle



*The PS button will not turn the PlayStation®4 or PlayStation®3 system's power on.
 *Throttle / Rudder setting above based on Throttle / Rudder Toggle Switch Mode 1.

Obsah je uzamčen

Dokončete, prosím, proces objednávky.

Následně budete mít přístup k celému dokumentu.



Proč je dokument uzamčen? Nahněvat Vás rozhodně nechceme. Jsou k tomu dva hlavní důvody:

- 1) Vytvořit a udržovat obsáhlou databázi návodů stojí nejen spoustu úsilí a času, ale i finanční prostředky. Dělali byste to Vy zadarmo? Ne*. Zakoupením této služby obdržíte úplný návod a podpoříte provoz a rozvoj našich stránek. Třeba se Vám to bude ještě někdy hodit.

**) Možná zpočátku ano. Ale vězte, že dotovat to dlouhodobě nelze. A rozhodně na tom nezbohatneme.*

- 2) Pak jsou tady „roboti“, kteří se přiživují na naší práci a „vysávají“ výsledky našeho úsilí pro svůj prospěch. Tímto krokem se jim to snažíme překazit.

A pokud nemáte zájem, respektujeme to. Urgujte svého prodejce. A když neuspějete, rádi Vás uvidíme!