

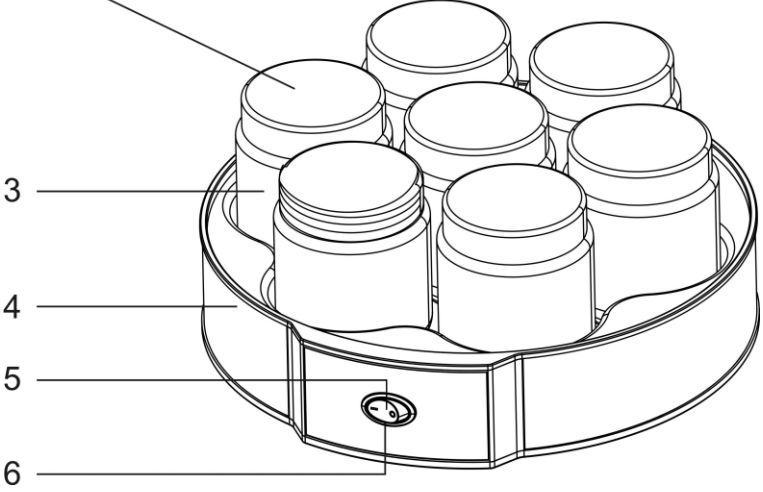
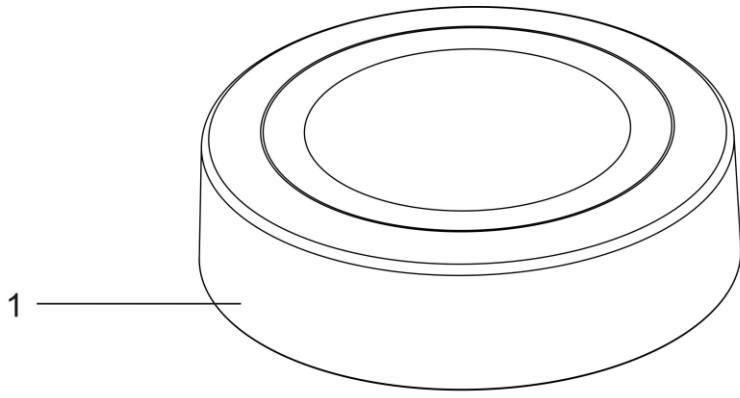
# ADLER

EUROPE



## AD 4476

(GB) user manual	3	(BIH) upute za rad	20
(D) bedienungsanweisung	4	(H) felhasználói kézikönyv	22
(F) mode d'emploi	6	(FIN) käyttöopas	37
(E) manual de uso	8	(NL) handleiding	30
(P) manual de serviço	10	(HR) upute za uporabu	36
(LT) naudojimo instrukcija	12	(RUS) инструкция обслуживания	34
(LV) lietošanas instrukcija	14	(SLO) navodila za uporabo	32
(EST) kasutusjuhend	16	(I) istruzioni per l'uso	41
(CZ) návod k obsluze	28	(DK) brugsanvisning	51
(RO) Instrucțiunea de deservire	18	(UA) інструкція з експлуатації	53
(GR) οδηγίες χρήσεως	26	(SR) korisničko uputstvo	49
(SK) použivateľská príručka	56	(S) instruktionsbok	39
(MK) упатство за корисникот	24	(PL) instrukcja obsługi	47
(AR) دليل التعديمات	43	(BG) Инструкция за употреба	58



**SAFETY CONDITIONS IMPORTANT INSTRUCTIONS ON SAFETY OF USE PLEASE  
READ CAREFULLY AND KEEP FOR FUTURE REFERENCE**

The warranty conditions are different, if the device is used for commercial purpose.

1. Before using the product please read carefully and always comply with the following instructions. The manufacturer is not responsible for any damages due to any misuse.
2. The product is only to be used indoors. Do not use the product for any purpose that is not compatible with its application.
3. The applicable voltage is 220-240V, ~50Hz. For safety reasons it is not appropriate to connect multiple devices to one power outlet.
4. Please be cautious when using around children. Do not let the children to play with the product. Do not let children or people who do not know the device to use it without supervision.
5. **WARNING:** This device may be used by children over 8 years of age and persons with reduced physical, sensory or mental capabilities, or persons without experience or knowledge of the device, only under the supervision of a person responsible for their safety, or if they were instructed on the safe use of the device and are aware of the dangers associated with its operation. Children should not play with the device. Cleaning and maintenance of the device should not be carried out by children, unless they are over 8 years of age and these activities are carried out under supervision.
6. After you are finished using the product always remember to gently remove the plug from the power outlet holding the outlet with your hand. Never pull the power cable!!!
7. Never put the power cable, the plug or the whole device into the water. Never expose the product to the atmospheric conditions such as direct sun light or rain, etc.. Never use the product in humid conditions.
8. Periodically check the power cable condition. If the power cable is damaged the product should be turned to a professional service location to be replaced in order to avoid hazardous situations.
9. Never use the product with a damaged power cable or if it was dropped or damaged in any other way or if it does not work properly. Do not try to repair the defected product yourself because it can lead to electric shock. Always turn the damaged device to a professional service location in order to repair it. All the repairs can be done only by authorized service professionals. The repair that was done incorrectly can cause hazardous situations for the user.
10. Never put the product on or close to the hot or warm surfaces or the kitchen appliances like the electric oven or gas burner.
11. Never use the product close to combustibles.
12. Do not let cord hang over edge of counter or touch hot surfaces.
13. Never leave the product connected to the power source without supervision. Even when use is interrupted for a short time, turn it off from the network, unplug the power.
14. In order to provide additional protection, it is recommended to install residue current device (RCD) in the power circuit, with residual current rating not more than 30 mA. Contact professional electrician in this matter.
15. Do not use sockets or plugs with a lower voltage than required to prevent fire and damage of the electricity grid.
16. After stop using the machine, and before cleaning, remove the plug from the socket.
17. We do not recommend the use of extension cords. When you use an extension cord, make sure that: 1) the nominal power of extension cord is not lower than the power of the device; 2) The extension cord is placed correctly and is not in the reach of small children.
18. Just after use remove the plug from the outlet to avoid unexpected dangerous incidents.
19. Do not pour inflammable liquids into containers.
20. When in use do not touch hot surface of the device. To prevent burn, wait approx. 20

# Obsah je uzamčen

**Dokončete, prosím, proces objednávky.**

**Následně budete mít přístup k celému dokumentu.**



**Proč je dokument uzamčen? Nahněvat Vás rozhodně nechceme. Jsou k tomu dva hlavní důvody:**

- 1) Vytvořit a udržovat obsáhlou databázi návodů stojí nejen spoustu úsilí a času, ale i finanční prostředky. Dělali byste to Vy zadarmo? Ne\*. Zakoupením této služby obdržíte úplný návod a podpoříte provoz a rozvoj našich stránek. Třeba se Vám to bude ještě někdy hodit.

*\*) Možná zpočátku ano. Ale vězte, že dotovat to dlouhodobě nelze. A rozhodně na tom nezbohatneme.*

- 2) Pak jsou tady „roboti“, kteří se přiživují na naší práci a „vysávají“ výsledky našeho úsilí pro svůj prospěch. Tímto krokem se jim to snažíme překazit.

A pokud nemáte zájem, respektujeme to. Urgujte svého prodejce. A když neuspějete, rádi Vás uvidíme!